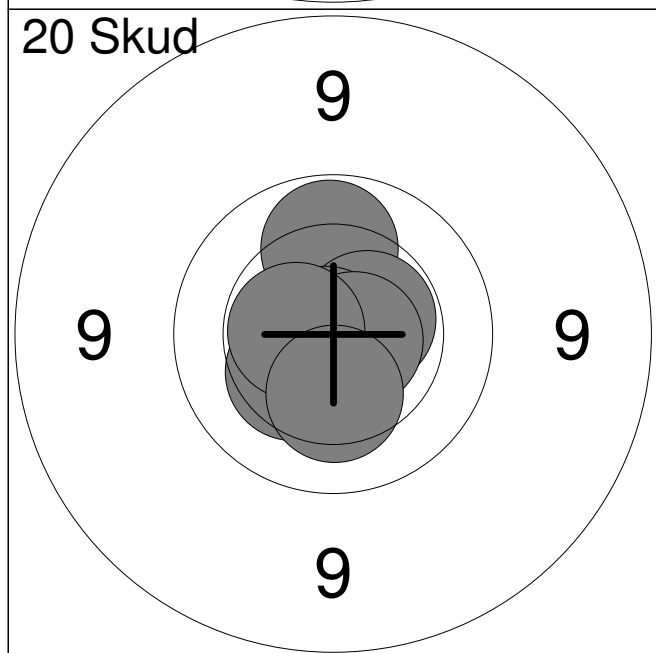
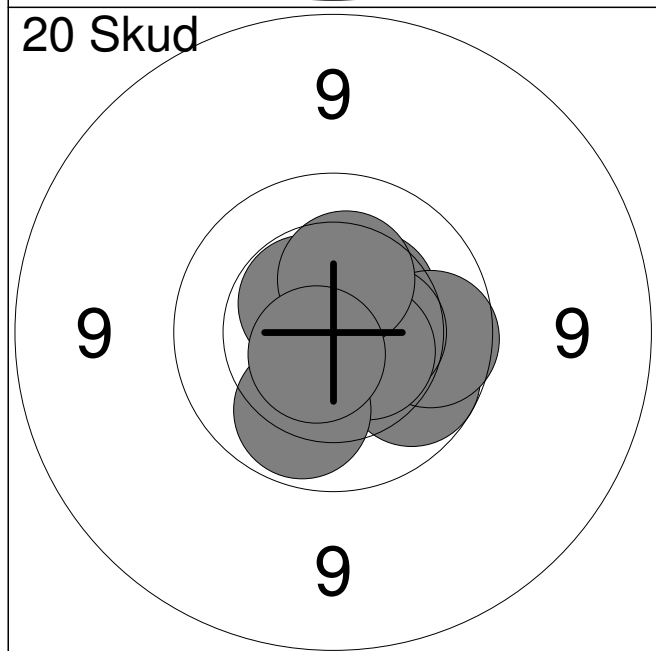


1:	9.0	→
2:	10.5	←
3:	10.4	↑
4:	10.6x	↑
5:	10.8x	↙
Serie		49
Total		0

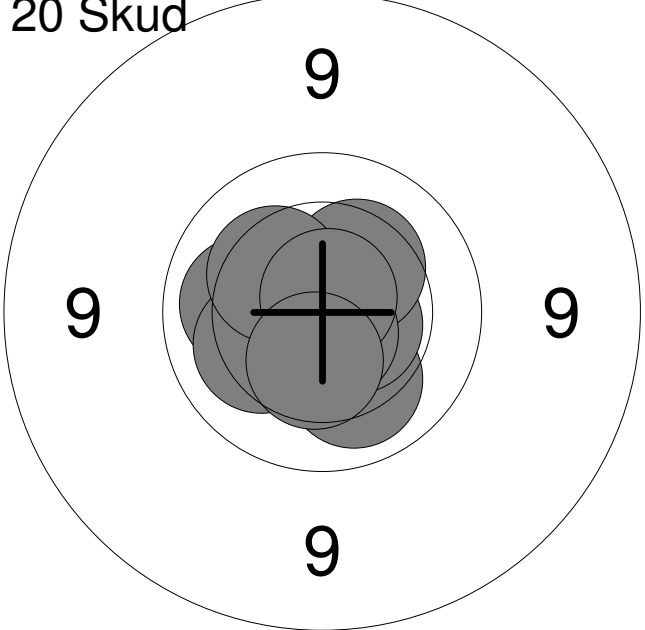


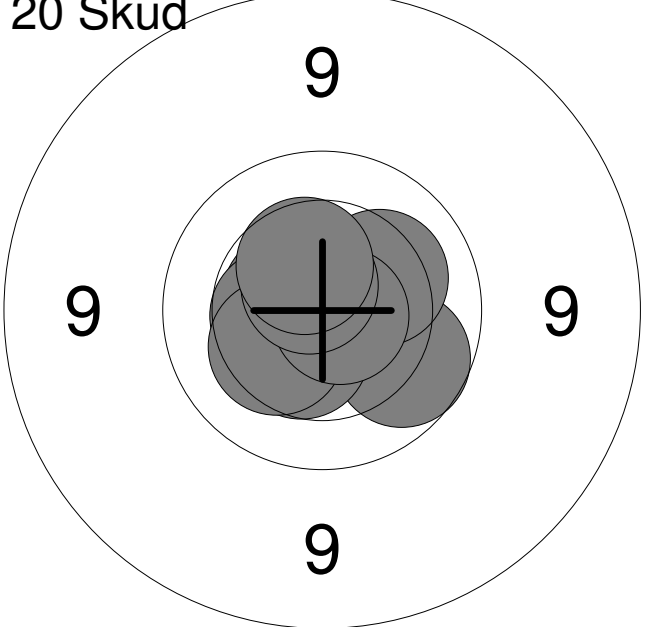
1:	10.7x	↑
2:	10.9x	↗
3:	10.0	↑
4:	10.5x	→
5:	10.9x	←
6:	10.4	↙
7:	10.7x	←
8:	10.7x	→
9:	10.5x	←
10:	10.3	↓
Serie		100
Total		100

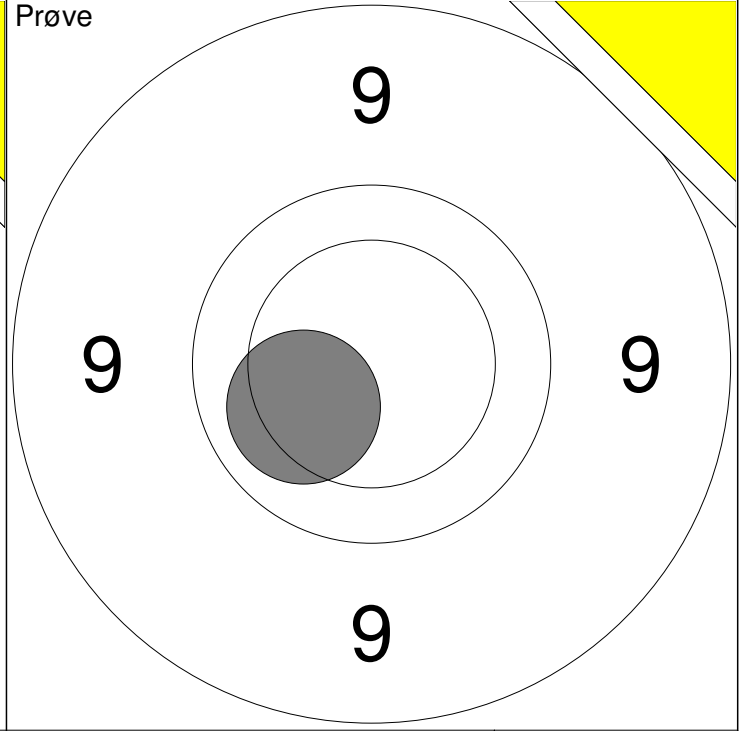
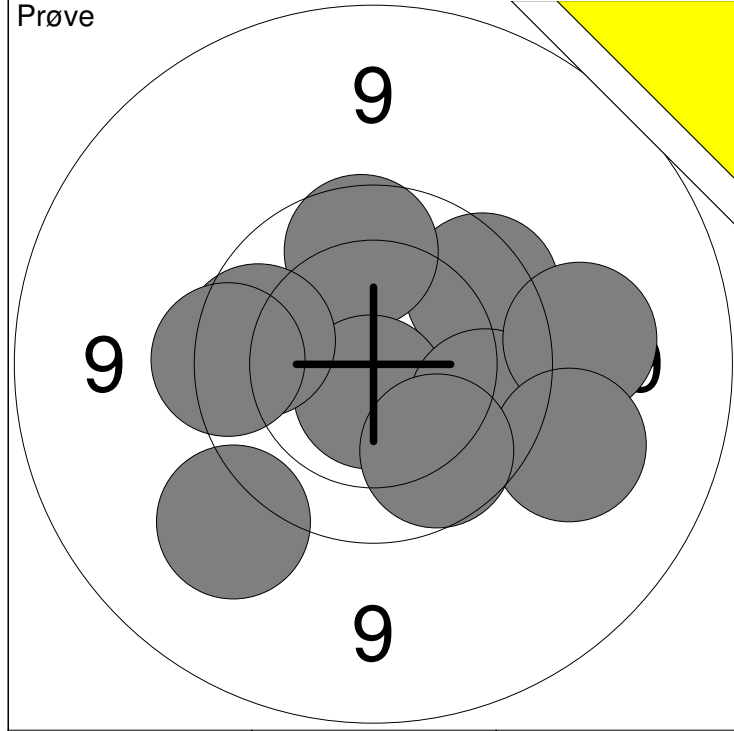


11:	9.9	↘
12:	10.4	↗
13:	10.7x	↓
14:	9.9	→
15:	10.5x	↗
16:	10.5	→
17:	10.5x	↘
18:	10.4	↑
19:	10.0	↙
20:	10.7x	↙
Serie		98
Total		198

Prøve 	1:	9.4	←
	2:	9.9	←
	3:	10.0	↗
	4:	10.3	↗
	5:	9.8	→
	6:	10.1	↗
	7:	10.4	↗
	8:	10.2	↗
	9:	10.6x	↘
	10:	10.5	↗
	Serie		97
Total		0	

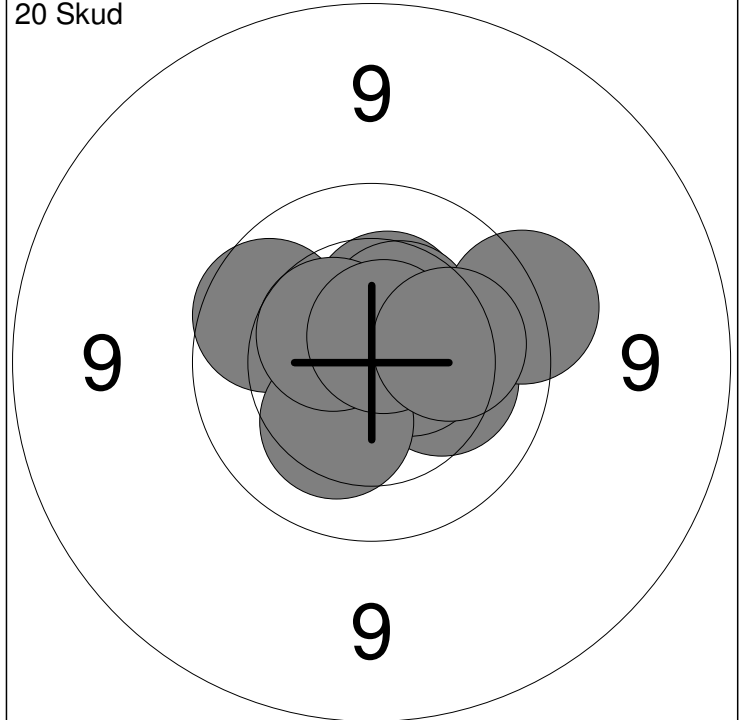
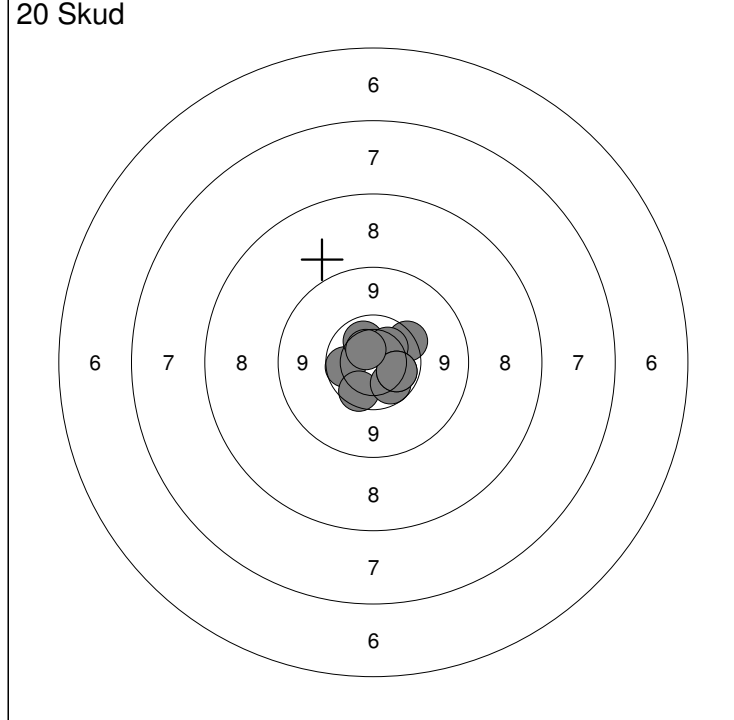
20 Skud 	1:	10.6x	↘
	2:	10.1	←
	3:	10.2	←
	4:	10.1	↘
	5:	10.6x	→
	6:	10.3	↗
	7:	10.7x	↘
	8:	10.3	↗
	9:	10.8x	↗
	10:	10.4	↘
	Serie		100
Total		100	

20 Skud 	11:	9.9	↘
	12:	10.6x	←
	13:	10.2	↗
	14:	10.7x	↘
	15:	10.5	↘
	16:	10.5	←
	17:	10.3	←
	18:	10.7x	→
	19:	10.6x	↗
	20:	10.4	↗
	Serie		99
Total		199	



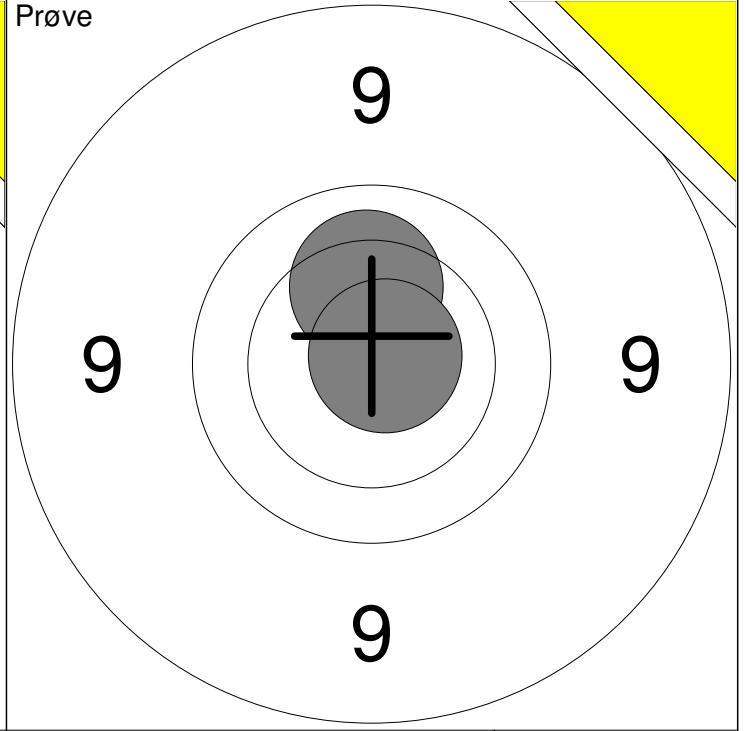
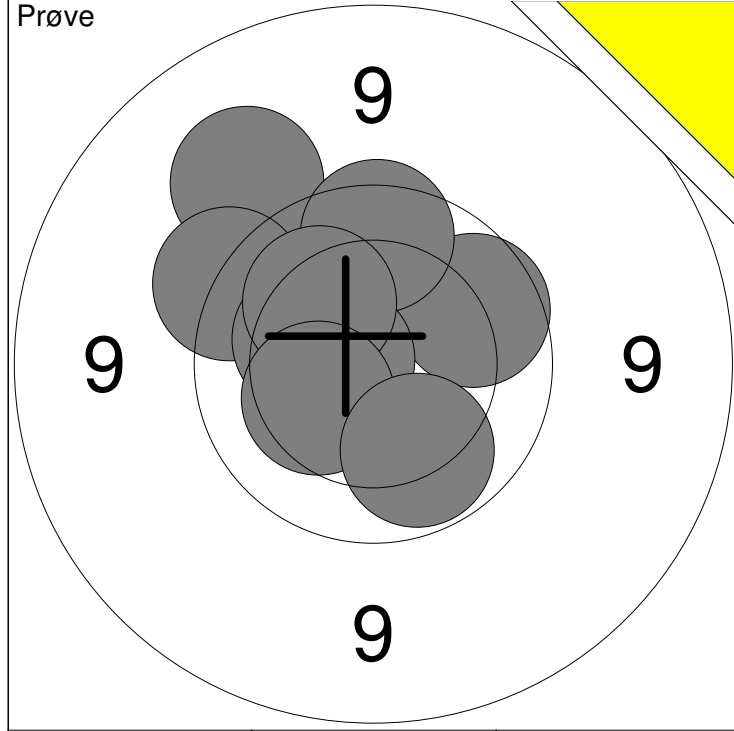
1: 9.3 ↙	6: 9.9 →	Serie	91
2: 9.8 ↗	7: 9.7 ←		
3: 9.9 ↑	8: 9.4 →	Total	0
4: 10.7x ↓	9: 9.3 ↘		
5: 9.9 ←	10: 9.9 ↘		

11: 10.2 ↙		Serie	10
		Total	0



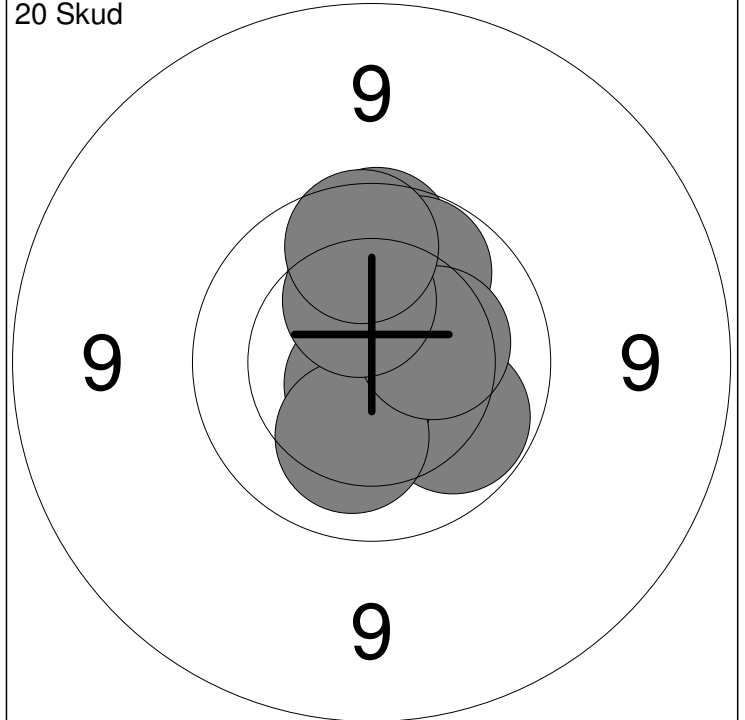
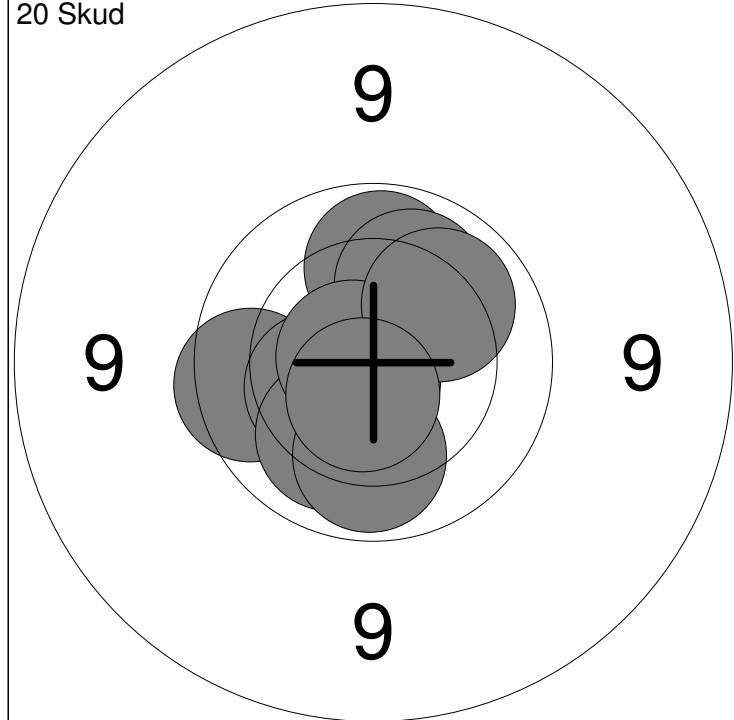
1: 9.9 ←	6: 10.1 ↗	Serie	87
2: 0.0 ↗	7: 10.2 ↗		
3: 9.9 ↘	8: 10.0 →	Total	87
4: 10.0 ↘	9: 10.0 →		
5: 9.7 ↗	10: 10.4 ↗		

11: 10.4 ↗	16: 10.3 ↘	Serie	98
12: 10.2 →	17: 9.6 →		
13: 9.9 ←	18: 10.5 ↙	Total	185
14: 10.6x →	19: 10.7x ↗		
15: 10.4 ↗	20: 10.2 →		



1: 9.3 ↗	6: 9.8 ↑	Serie	96
2: 10.5x ↙	7: 10.6x ←		
3: 9.6 ↗	8: 10.2 ↗	Total	0
4: 10.3 ↙	9: 10.3 ←		
5: 9.9 ↘	10: 10.0 ↓		

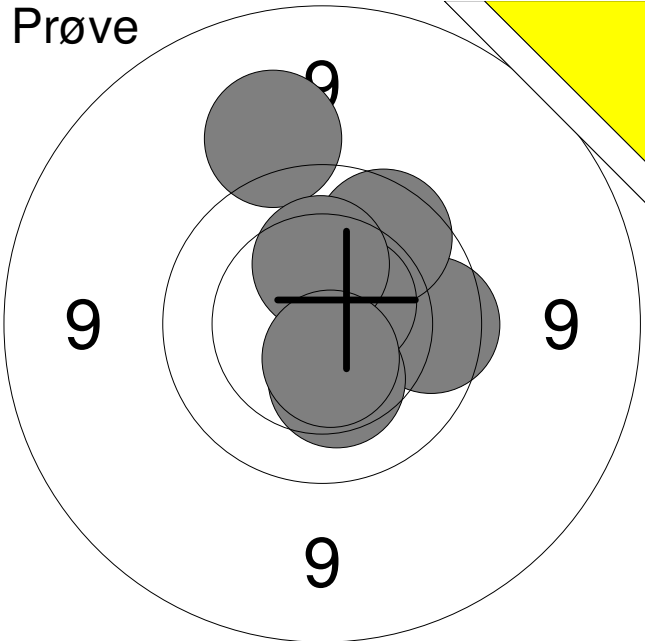
11: 10.2 ↑	Serie	20
12: 10.8x ↗		
	Total	0



1: 9.8 ←	6: 10.0 ↑	Serie	99
2: 10.4 ←	7: 10.1 ↗		
3: 10.7x ↓	8: 10.7x ←	Total	99
4: 10.1 ↓	9: 10.1 ↗		
5: 10.0 ↓	10: 10.6x ↓		

11: 10.6x ↑	16: 10.2 ↓	Serie	98
12: 10.0 ↘	17: 10.0 ↗		
13: 9.9 ↑	18: 10.3 →	Total	197
14: 10.1 ↑	19: 10.3 ↑		
15: 10.7x ↓	20: 9.9 ↑		

Prøve

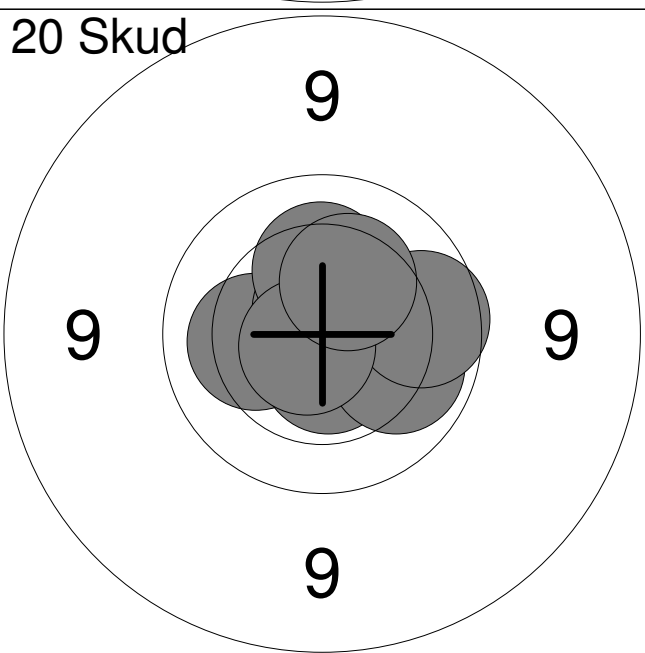


1:	9.3	↑
2:	10.4	↗
3:	9.8	→
4:	9.9	↗
5:	10.6x	↗
6:	10.3	↑
7:	10.3	↓
8:	10.6x	↓

Serie **77**

Total **0**

20 Skud

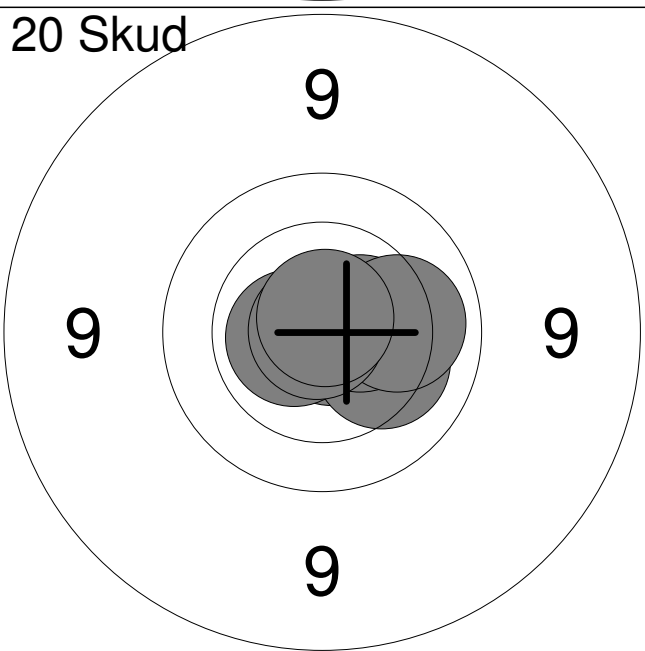


1:	10.2	←
2:	10.6x	↓
3:	10.7x	↑
4:	10.7x	→
5:	10.2	→
6:	10.1	→
7:	9.9	→
8:	10.3	↑
9:	10.7x	↙
10:	10.3	↗

Serie **99**

Total **99**

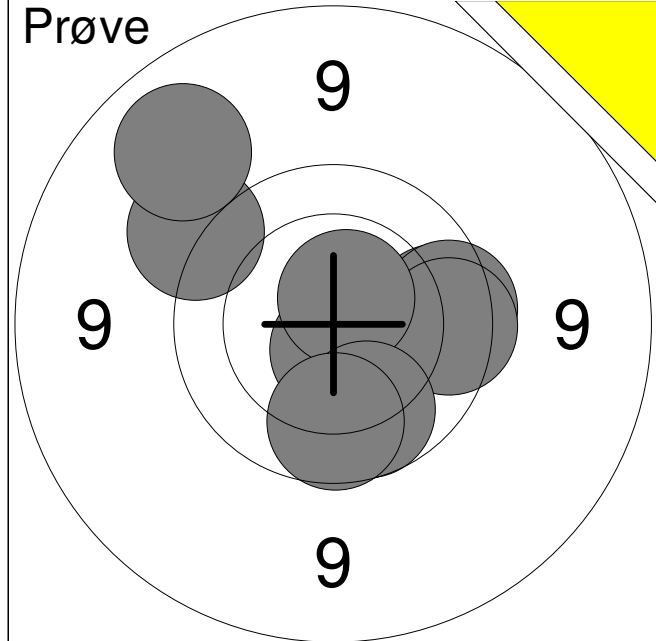
20 Skud



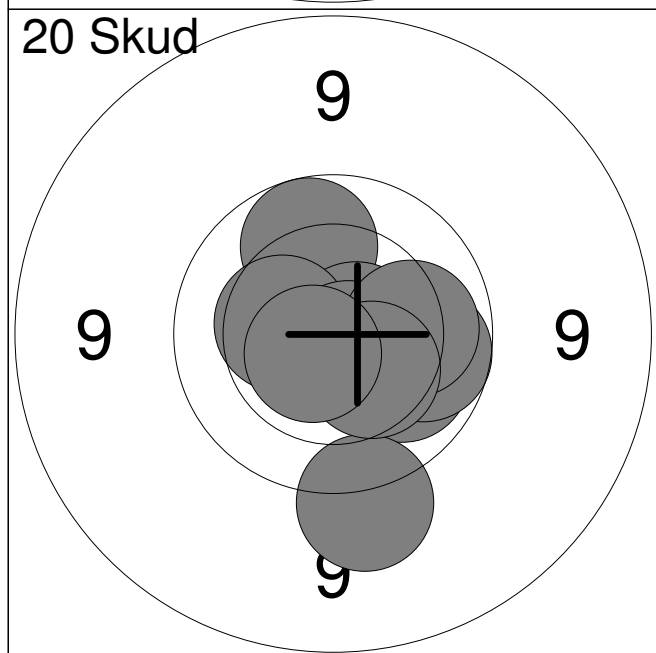
11:	10.8x	→
12:	10.4	→
13:	10.5	→
14:	10.8x	→
15:	10.6x	←
16:	10.2	→
17:	10.5x	→
18:	10.1	→
19:	10.9x	←
20:	10.8x	↑

Serie **100**

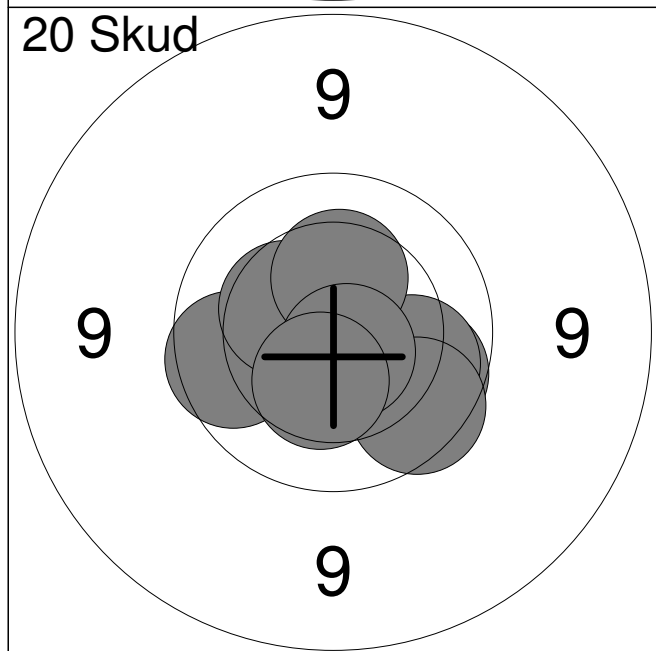
Total **199**



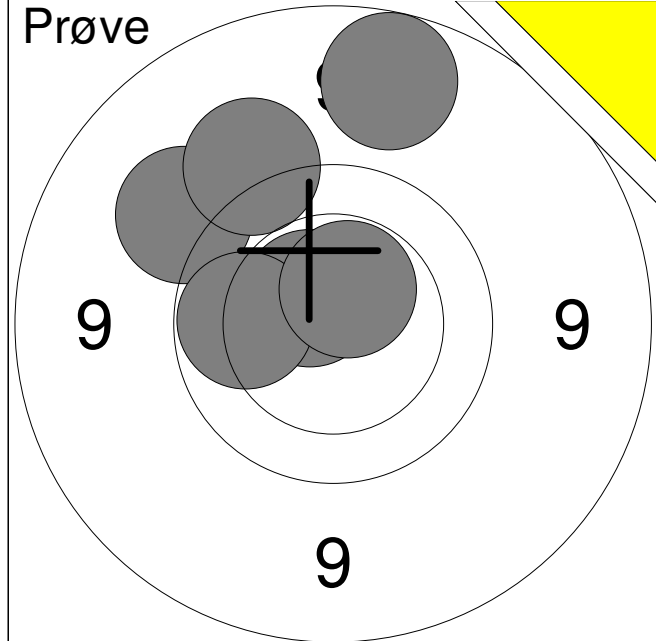
1:	9.5	↗
2:	9.1	↗
3:	9.8	→
4:	9.9	→
5:	10.7x	↓
6:	9.8	→
7:	9.8	→
8:	10.6x	↗
9:	9.9	↓
10:	9.9	↓
Serie		92
Total		0



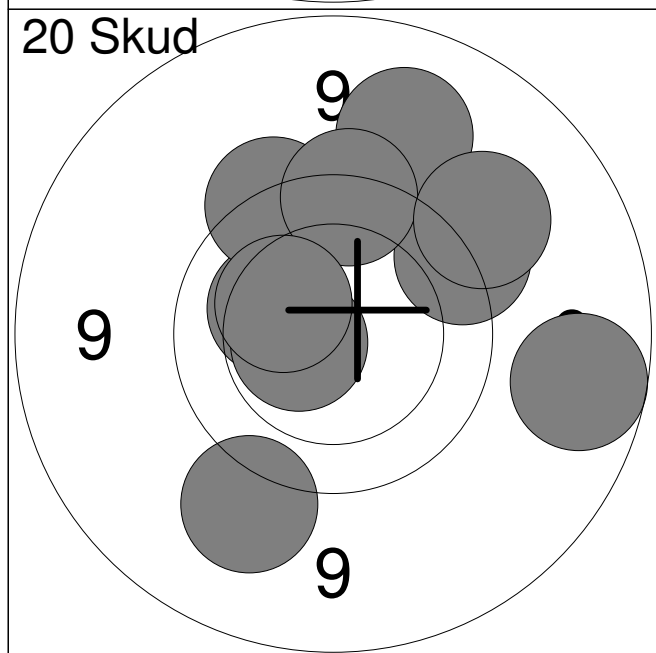
1:	9.9	↗
2:	10.1	↘
3:	10.7x	→
4:	10.4	←
5:	9.4	↓
6:	9.9	→
7:	10.7x	↘
8:	10.1	→
9:	10.4	↘
10:	10.6x	↘
Serie		97
Total		97



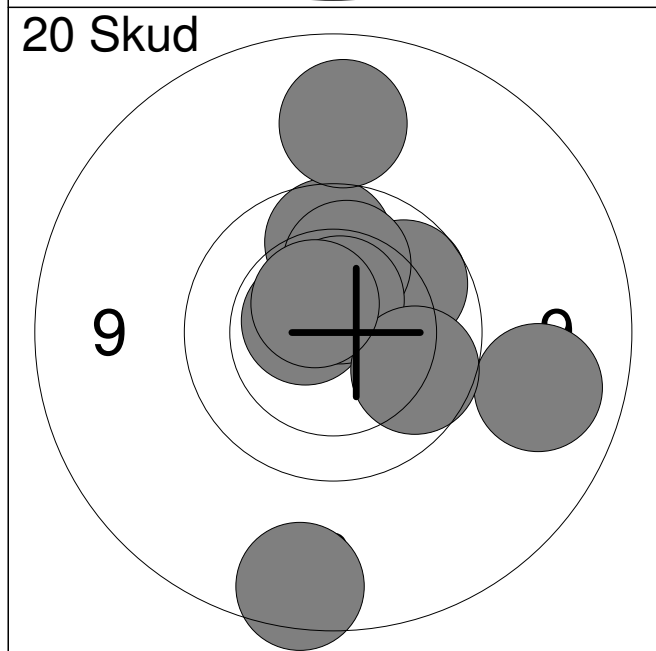
11:	9.9	↘
12:	10.0	↘
13:	9.9	←
14:	10.4	↘
15:	10.0	→
16:	10.4	↗
17:	10.3	↗
18:	9.8	↘
19:	10.7x	↘
20:	10.4	↓
Serie		97
Total		194



1:	10.6x	↗
2:	9.4	↖
3:	9.0	↑
4:	10.0	←
5:	10.5x	↗
6:	9.4	↗
Serie		57
Total		0



1:	8.9	→
2:	10.3	↖
3:	9.6	↗
4:	10.6x	←
5:	9.2	↑
6:	9.6	↗
7:	9.3	↘
8:	9.7	↑
9:	9.3	↗
10:	10.3	↖
Serie		92
Total		92

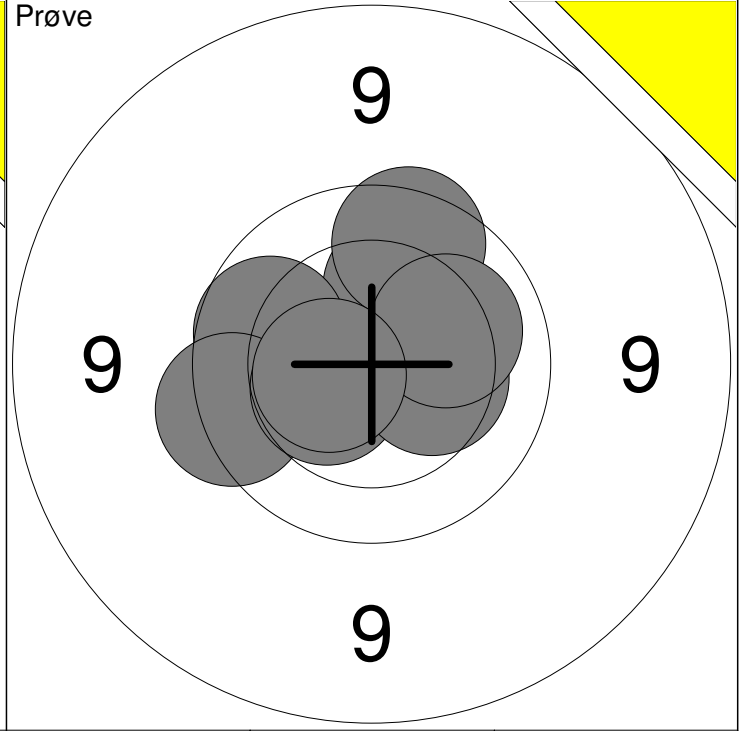
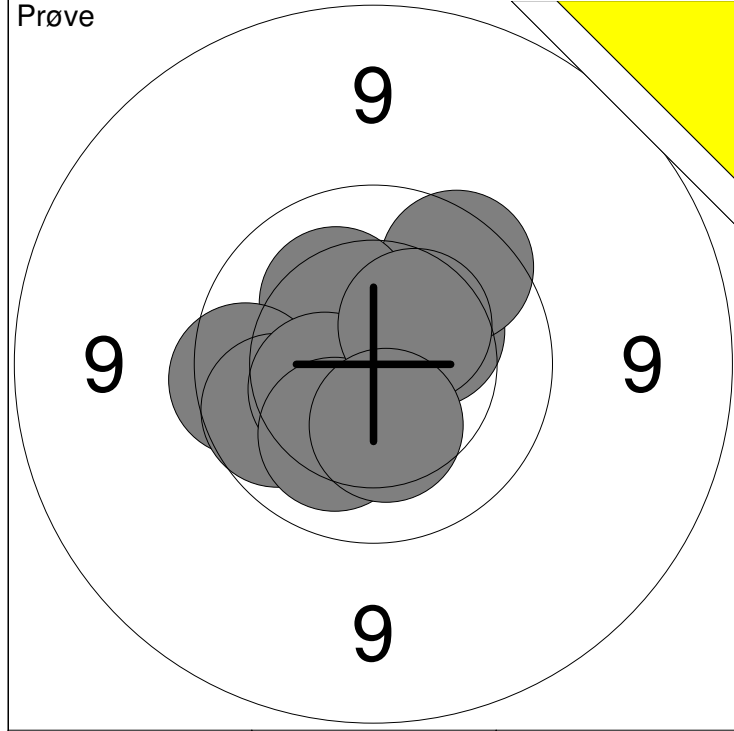


11:	9.1	→
12:	9.9	↗
13:	10.6x	↖
14:	9.9	↑
15:	10.1	↑
16:	8.9	↘
17:	10.6x	↑
18:	9.9	↘
19:	9.1	↑
20:	10.5x	↗
Serie		93
Total		185

Prøve 	1:	10.6x	↑
	2:	10.2	←
	3:	10.3	↗
	4:	10.5	↑
	5:	10.6x	→
	6:	10.5x	↑
	7:	10.4	↗
	8:	10.8x	←
	Serie		80
	Total		0

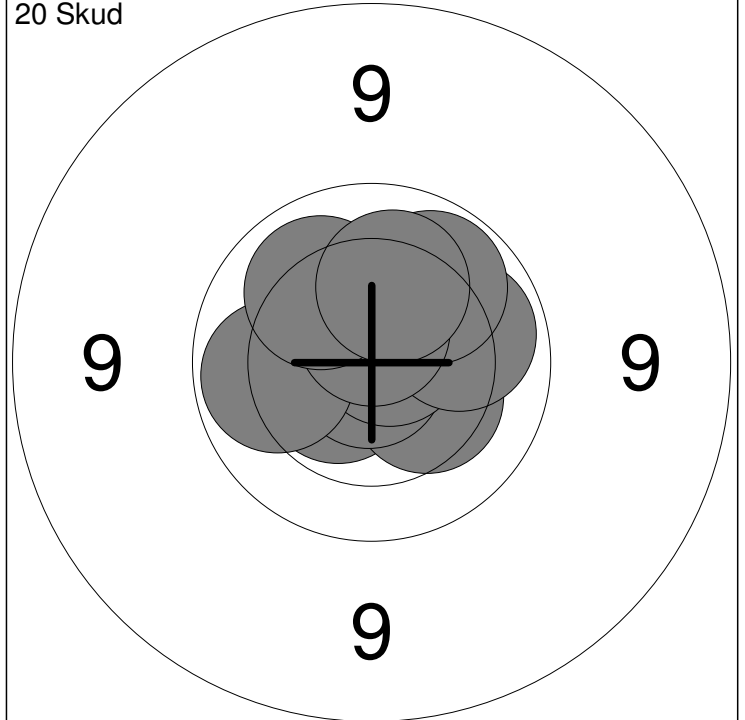
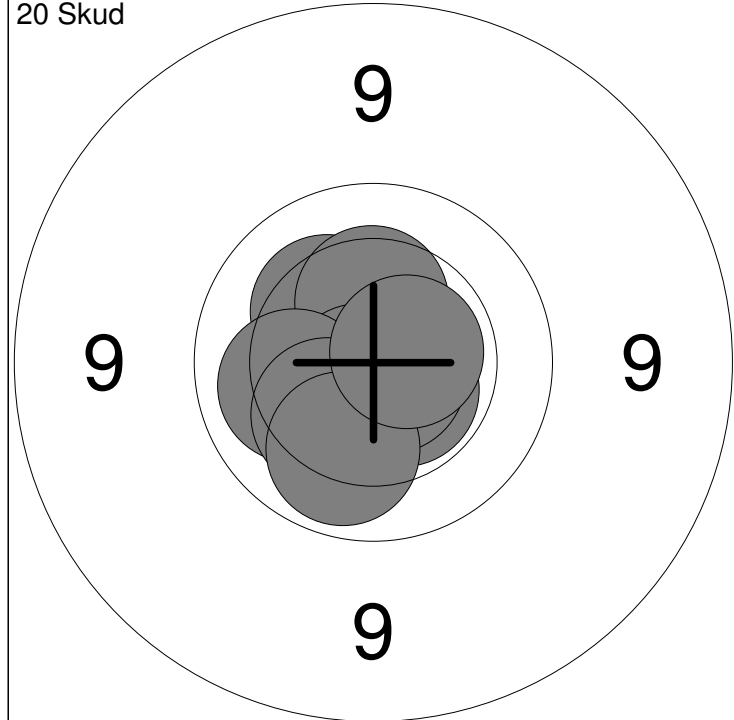
20 Skud 	1:	10.8x	↑
	2:	10.8x	↗
	3:	10.5x	↘
	4:	10.6x	↗
	5:	10.8x	↗
	6:	10.7x	↓
	7:	10.3	←
	8:	10.4	↘
	9:	9.9	↘
	10:	10.7x	→
Serie		99	
Total		99	

20 Skud 	11:	10.3	↘
	12:	10.4	↑
	13:	10.2	↘
	14:	10.3	↘
	15:	10.1	←
	16:	10.4	↘
	17:	10.6x	→
	18:	10.6x	↗
	19:	10.3	←
	20:	10.1	↑
Serie		100	
Total		199	



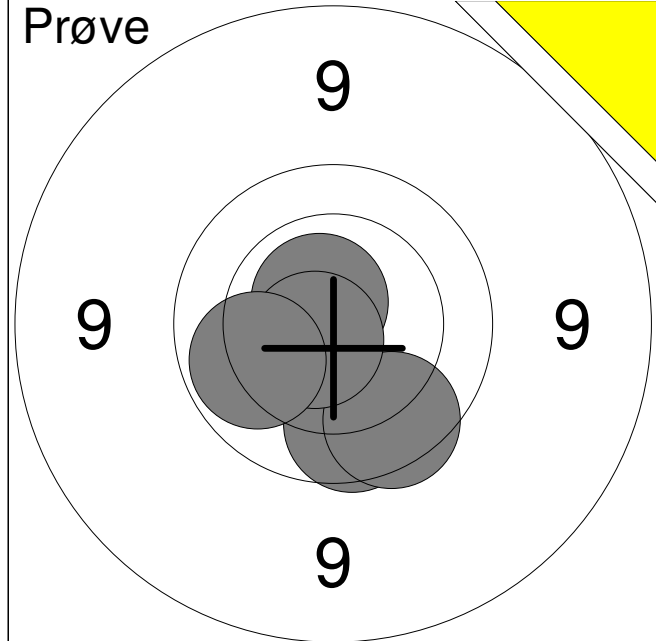
1: 10.3 ↗	6: 9.9 ←	Serie	97
2: 9.8 ↗	7: 10.4 ←		
3: 10.8x ↑	8: 10.2 ↓	Total	0
4: 10.3 ↗	9: 10.4 ↗		
5: 9.8 ←	10: 10.3 ↓		

11: 10.2 ↑	16: 9.8 ↑	Serie	77
12: 9.9 ←	17: 10.2 ↗		
13: 9.7 ←	18: 10.5x ←	Total	0
14: 10.4 ←			
15: 10.3 →			

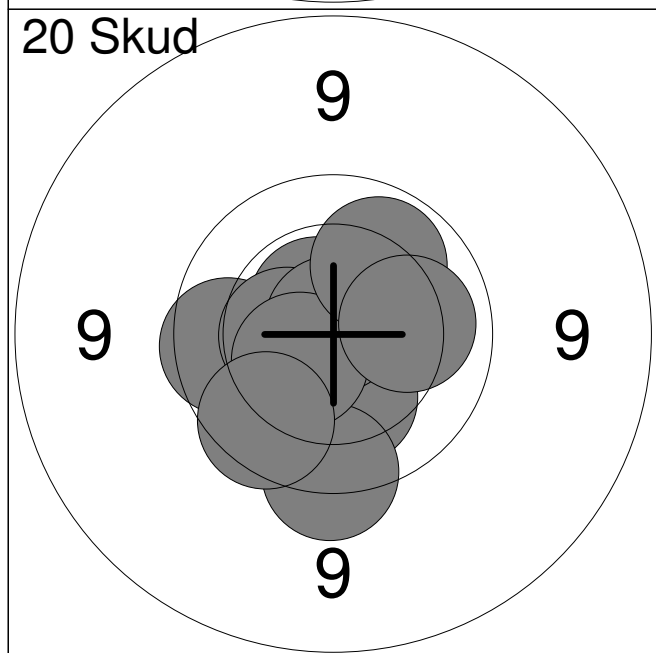


1: 10.6x ↘	6: 10.7x ↘	Serie	100
2: 10.3 ↗	7: 10.1 ←		
3: 10.4 ↑	8: 10.3 ↓	Total	100
4: 10.7x ↓	9: 10.1 ↓		
5: 10.3 ↓	10: 10.6x →		

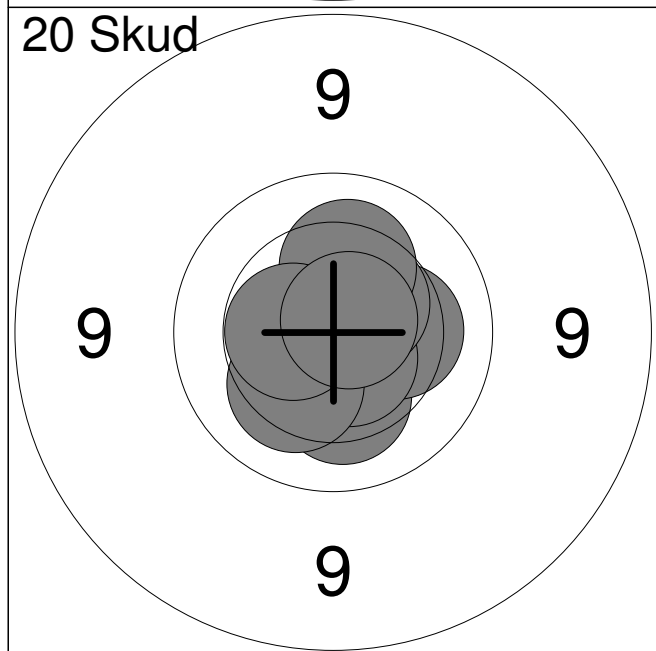
11: 10.5x ←	16: 10.0 →	Serie	100
12: 10.3 ↘	17: 10.0 ↗		
13: 10.9x ↓	18: 10.6x ↑	Total	200
14: 10.7x ↗	19: 10.1 ↗		
15: 10.0 ←	20: 10.2 ↑		



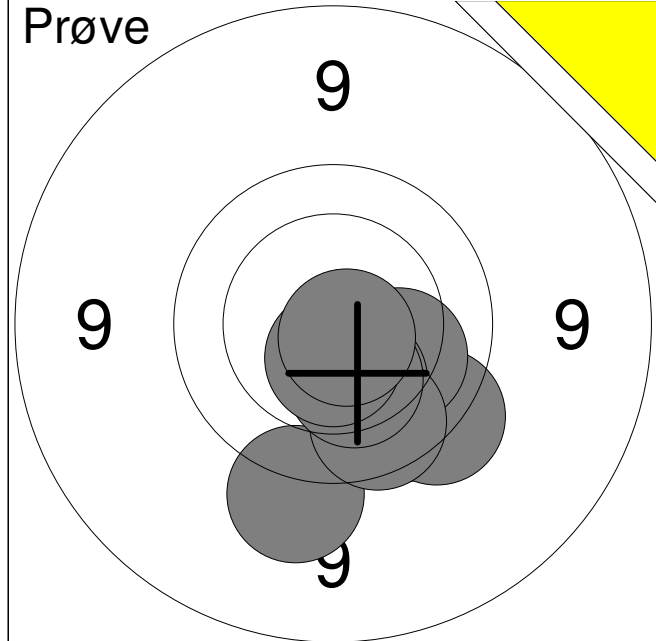
1:	9.9	↓
2:	9.8	↓
3:	10.7x	↗
4:	10.7x	↖
5:	10.0	←
Serie		48
Total		0



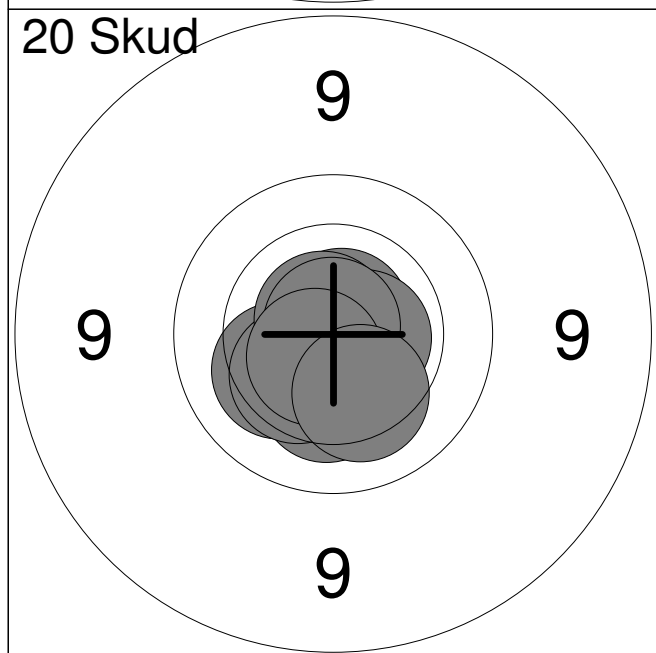
1:	10.6x	↗
2:	10.2	↓
3:	9.9	←
4:	10.4	←
5:	9.7	↓
6:	10.8x	↑
7:	10.5	↖
8:	9.8	↖
9:	10.0	↗
10:	10.1	→
Serie		97
Total		97



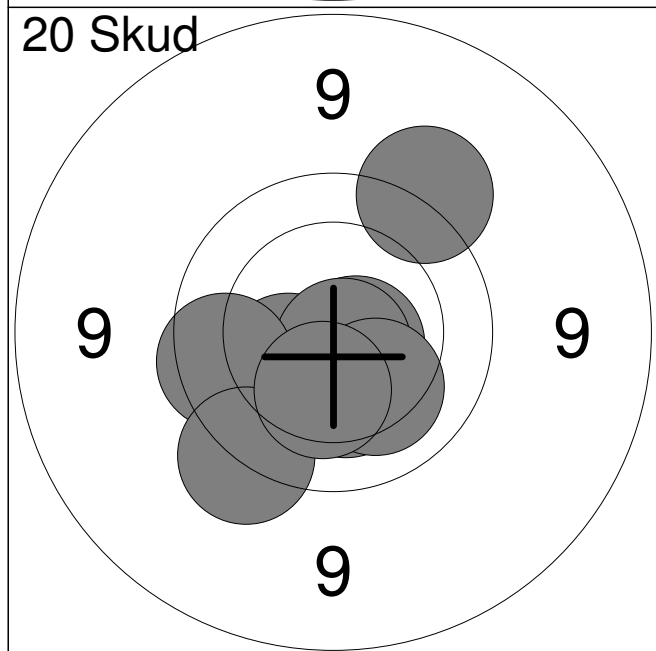
11:	10.2	↓
12:	10.6x	↖
13:	10.3	→
14:	10.6x	↓
15:	10.5x	↗
16:	10.2	↖
17:	10.6x	↑
18:	10.2	↑
19:	10.5x	←
20:	10.7x	↗
Serie		100
Total		197



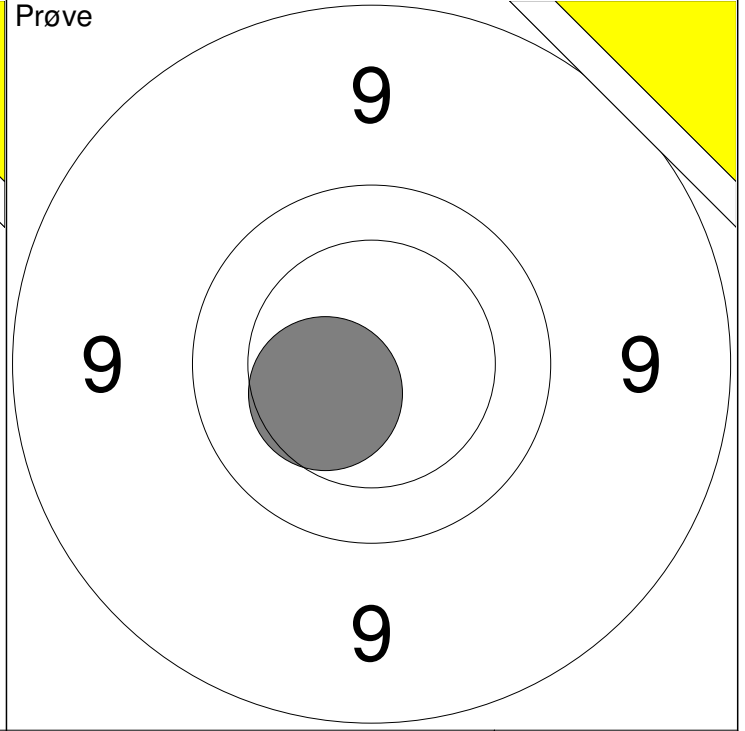
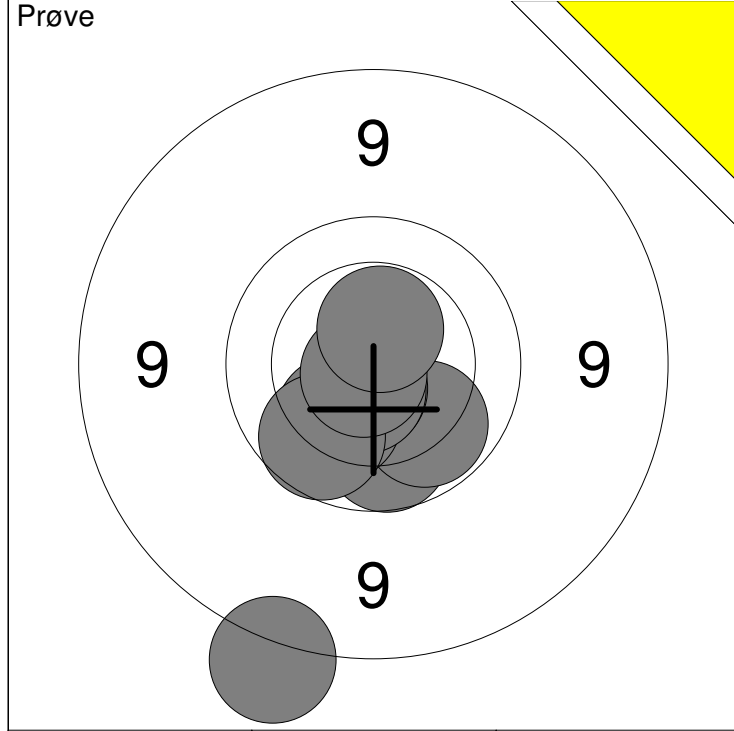
1:	9.4	↓
2:	9.8	↓
3:	9.7	↓
4:	10.1	→
5:	10.3	↓
6:	9.8	↓
7:	10.3	↓
8:	10.6x	↓
9:	10.7x	↓
Serie		86
Total		0



1:	10.7x	↗
2:	10.2	↖
3:	10.6x	→
4:	10.3	↓
5:	10.6x	↓
6:	10.4	↖
7:	10.8x	↗
8:	10.9x	↑
9:	10.6x	↖
10:	10.2	↓
Serie		100
Total		100

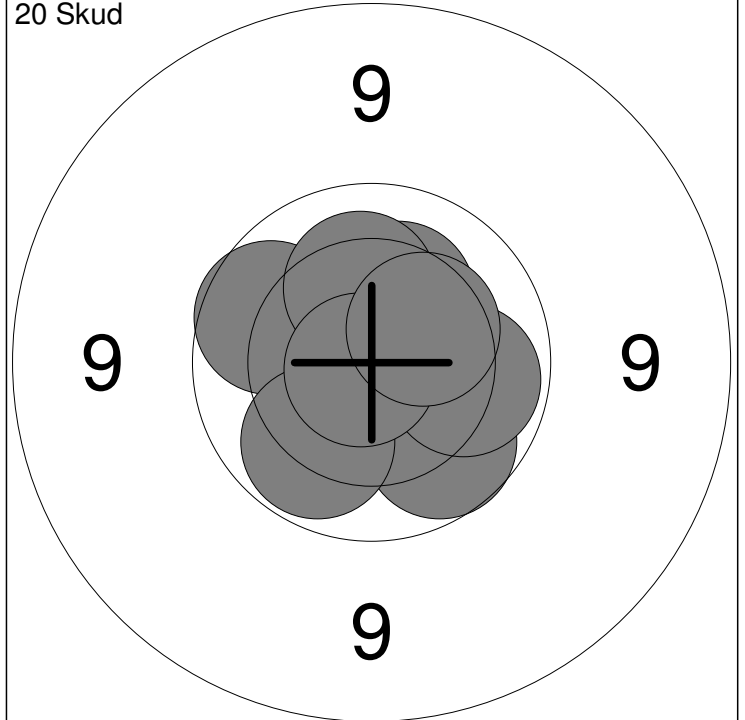
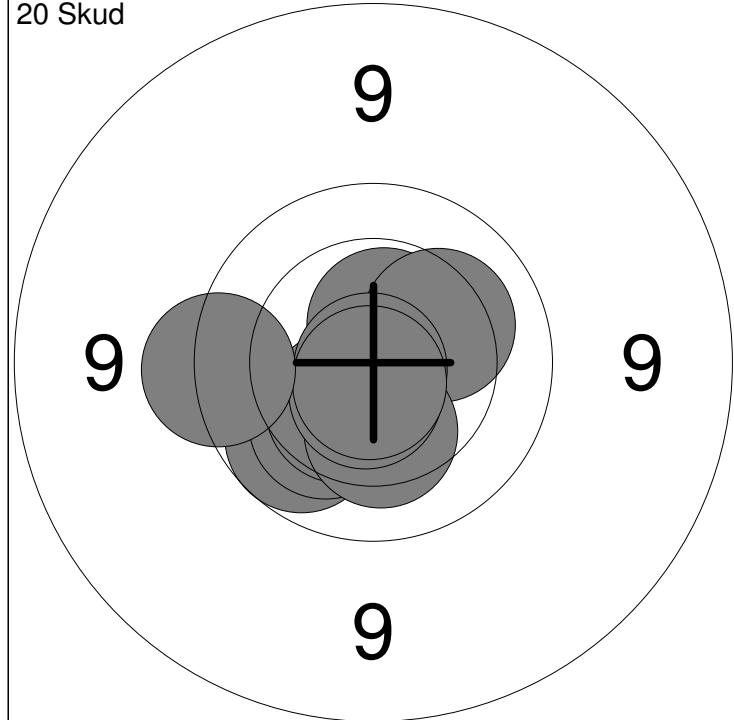


11:	10.4	↓
12:	10.7x	↘
13:	10.4	↖
14:	10.3	↓
15:	10.8x	↓
16:	9.8	↖
17:	10.2	↓
18:	9.6	↖
19:	10.3	↓
20:	9.5	↗
Serie		97
Total		197



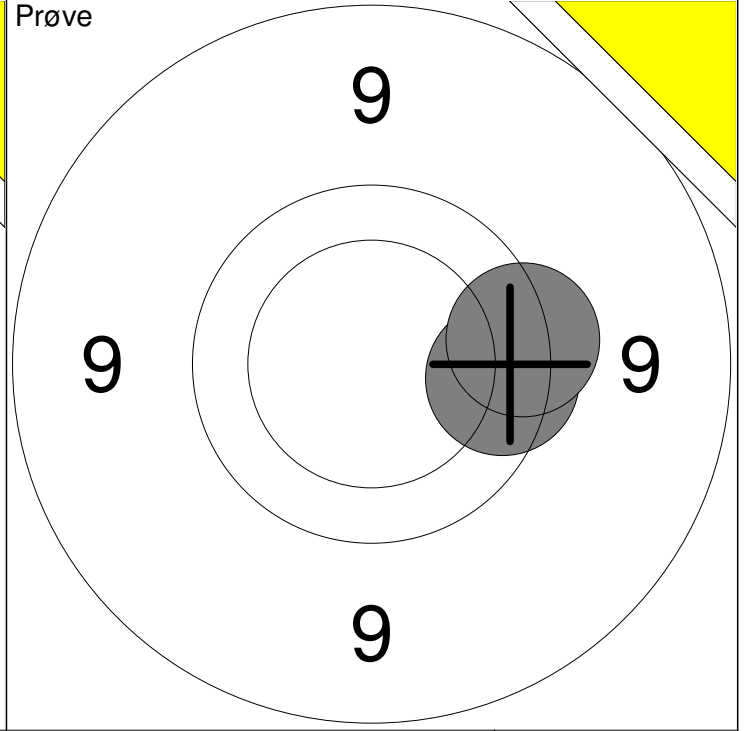
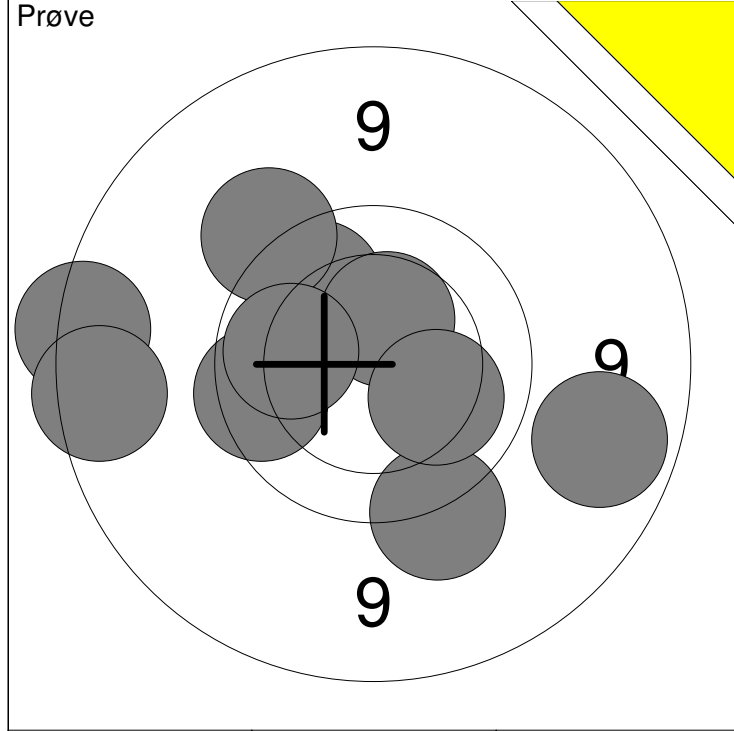
1: 8.6 ↘	6: 10.6x ↘	Serie	96
2: 10.5 ↘	7: 10.6x ↘		
3: 9.9 ↘	8: 9.9 ↘	Total	0
4: 10.0 ↘	9: 10.8x ↙		
5: 10.2 ↙	10: 10.5x ↗		

11: 10.4 ↙	Serie	10
Total		0



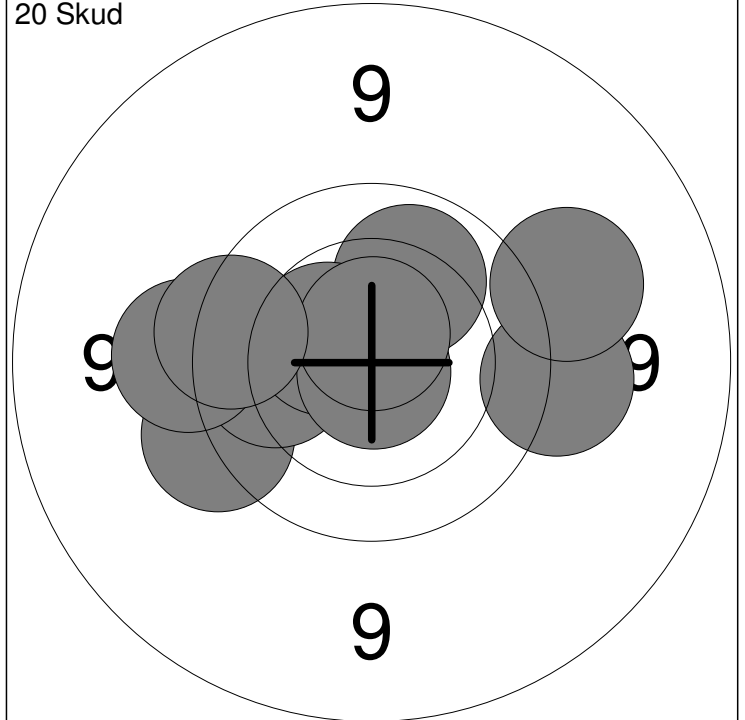
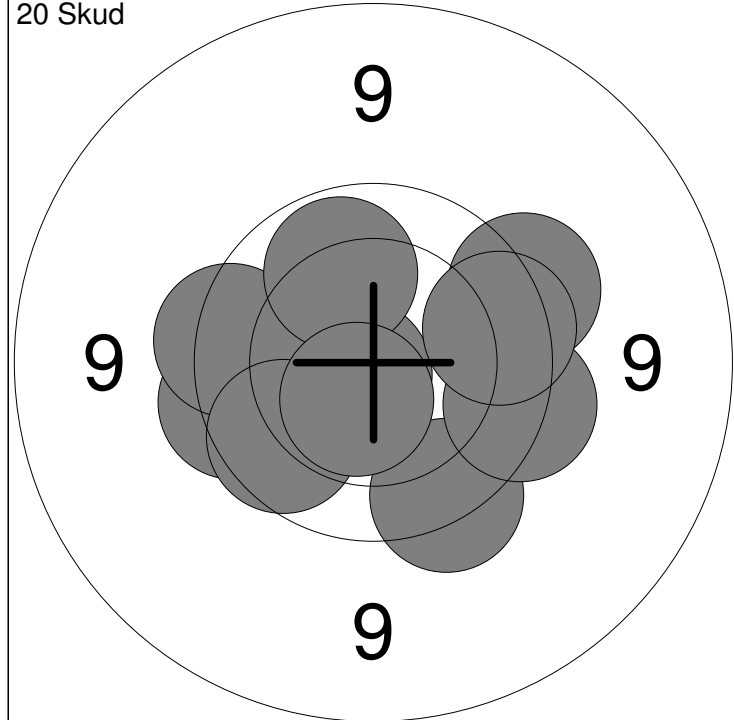
1: 10.6x ↗	6: 10.9x ↘	Serie	98
2: 10.2 ↗	7: 10.3 ↘		
3: 9.9 ↘	8: 10.7x ↘	Total	98
4: 10.2 ↘	9: 10.7x ↘		
5: 10.4 ↘	10: 9.7 ←		

11: 10.5x ↗	16: 10.0 ↘	Serie	98
12: 9.9 ↘	17: 10.2 ↗		
13: 10.5x ↙	18: 10.0 →	Total	196
14: 10.3 ↗	19: 10.8x ↘		
15: 9.9 ↙	20: 10.4 ↗		



1: 8.8 ←	6: 10.4 ↗	Serie	91
2: 9.5 ↘	7: 8.8 ←		
3: 9.8 ←	8: 10.0 ←	Total	0
4: 9.9 ↗	9: 9.0 ↘		
5: 9.5 ↗	10: 10.2 ↘		

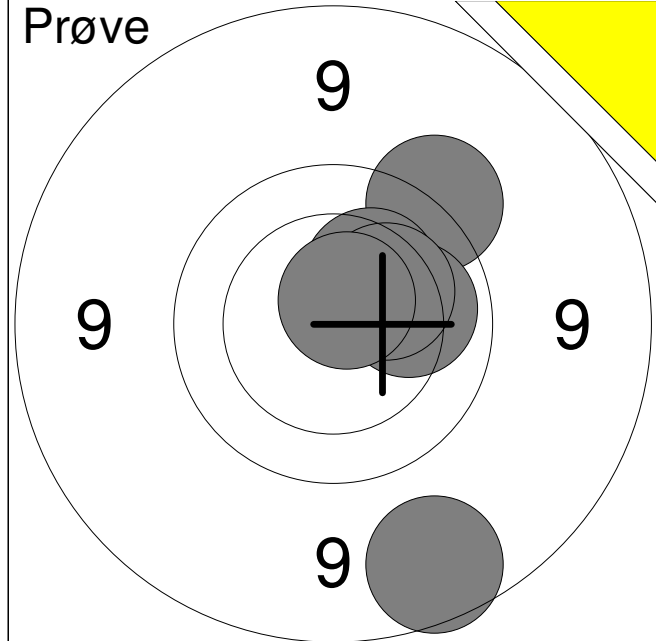
11: 9.8 →	Serie	18
12: 9.7 →		
Total		0



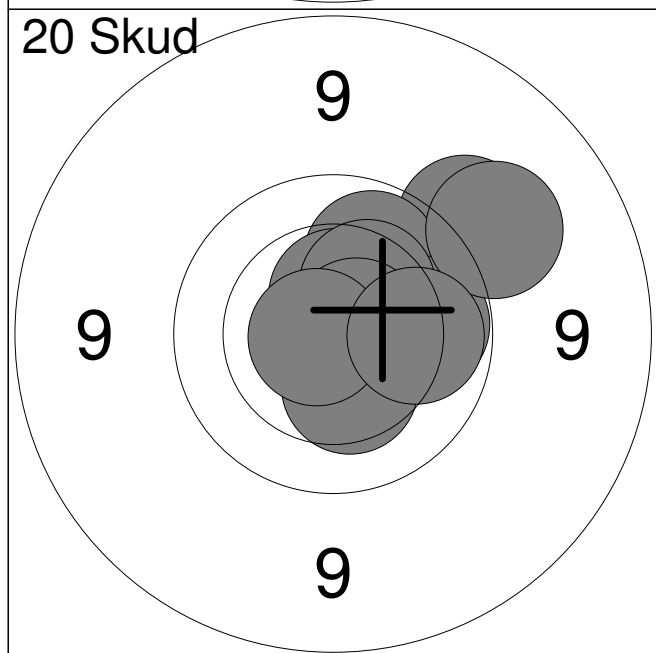
1: 9.7 ↘	6: 9.7 ←	Serie	93
2: 9.6 ↗	7: 10.0 ↗		
3: 9.7 →	8: 9.9 ↘	Total	93
4: 10.7x ↘	9: 10.6x ↘		
5: 9.7 ←	10: 9.8 →		

11: 10.1 ↗	16: 9.5 →	Serie	95
12: 9.6 ←	17: 10.9x ↘		
13: 10.0 ←	18: 10.7x ↗	Total	188
14: 10.5 ↘	19: 9.7 ←		
15: 9.5 ←	20: 9.3 →		

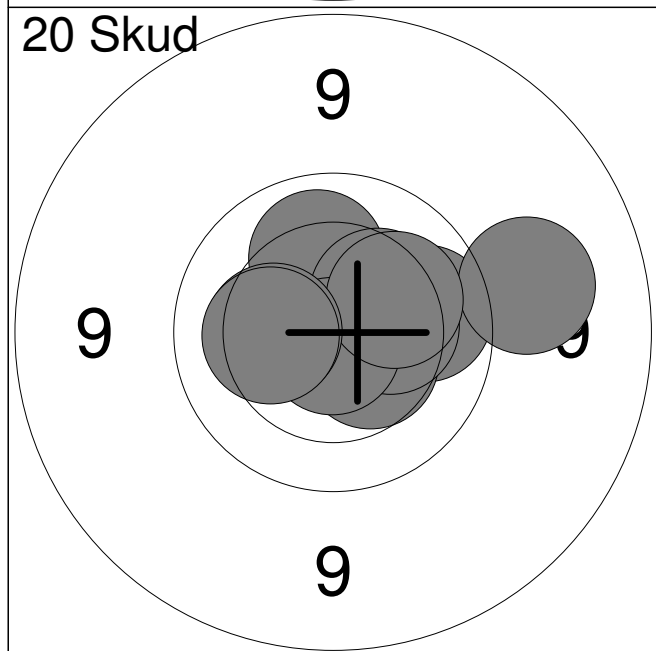
Hold	Skive	Participant Name																																
74	3	Marcus Toft																																
Aalborg		Løgstør Sportsskytteklub		MBK2																														
02.02.2018		Nordjysk mesterskab 2018		Aalborg Skyttekreds																														
Prøve		<table border="0"> <tr><td>1:</td><td>10.3</td><td>↓</td></tr> <tr><td>2:</td><td>10.4</td><td>↑</td></tr> <tr><td>3:</td><td>10.7x</td><td>↙</td></tr> </table>			1:	10.3	↓	2:	10.4	↑	3:	10.7x	↙																					
1:	10.3	↓																																
2:	10.4	↑																																
3:	10.7x	↙																																
		Serie 30																																
		Total 0																																
20 Skud		<table border="0"> <tr><td>1:</td><td>10.7x</td><td>↓</td></tr> <tr><td>2:</td><td>10.7x</td><td>←</td></tr> <tr><td>3:</td><td>10.3</td><td>↓</td></tr> <tr><td>4:</td><td>9.9</td><td>↑</td></tr> <tr><td>5:</td><td>10.0</td><td>↘</td></tr> <tr><td>6:</td><td>9.6</td><td>↗</td></tr> <tr><td>7:</td><td>10.5x</td><td>←</td></tr> <tr><td>8:</td><td>9.9</td><td>↘</td></tr> <tr><td>9:</td><td>10.1</td><td>↗</td></tr> <tr><td>10:</td><td>10.1</td><td>↗</td></tr> </table>			1:	10.7x	↓	2:	10.7x	←	3:	10.3	↓	4:	9.9	↑	5:	10.0	↘	6:	9.6	↗	7:	10.5x	←	8:	9.9	↘	9:	10.1	↗	10:	10.1	↗
1:	10.7x	↓																																
2:	10.7x	←																																
3:	10.3	↓																																
4:	9.9	↑																																
5:	10.0	↘																																
6:	9.6	↗																																
7:	10.5x	←																																
8:	9.9	↘																																
9:	10.1	↗																																
10:	10.1	↗																																
		Serie 97																																
		Total 97																																
20 Skud		<table border="0"> <tr><td>11:</td><td>10.4</td><td>↗</td></tr> <tr><td>12:</td><td>10.3</td><td>→</td></tr> <tr><td>13:</td><td>10.6x</td><td>↗</td></tr> <tr><td>14:</td><td>10.6x</td><td>↗</td></tr> <tr><td>15:</td><td>10.8x</td><td>←</td></tr> <tr><td>16:</td><td>10.7x</td><td>↗</td></tr> <tr><td>17:</td><td>10.6x</td><td>←</td></tr> <tr><td>18:</td><td>10.8x</td><td>←</td></tr> <tr><td>19:</td><td>9.8</td><td>↘</td></tr> <tr><td>20:</td><td>9.8</td><td>↑</td></tr> </table>			11:	10.4	↗	12:	10.3	→	13:	10.6x	↗	14:	10.6x	↗	15:	10.8x	←	16:	10.7x	↗	17:	10.6x	←	18:	10.8x	←	19:	9.8	↘	20:	9.8	↑
11:	10.4	↗																																
12:	10.3	→																																
13:	10.6x	↗																																
14:	10.6x	↗																																
15:	10.8x	←																																
16:	10.7x	↗																																
17:	10.6x	←																																
18:	10.8x	←																																
19:	9.8	↘																																
20:	9.8	↑																																
		Serie 98																																
		Total 195																																



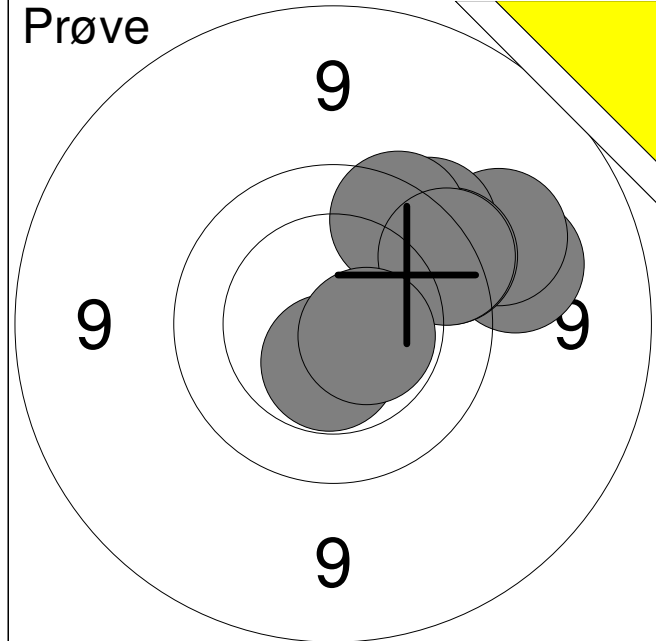
1:	8.9	↓
2:	9.5	↗
3:	10.3	↗
4:	10.1	→
5:	10.3	↗
6:	10.7x	↗
Serie		57
Total		0



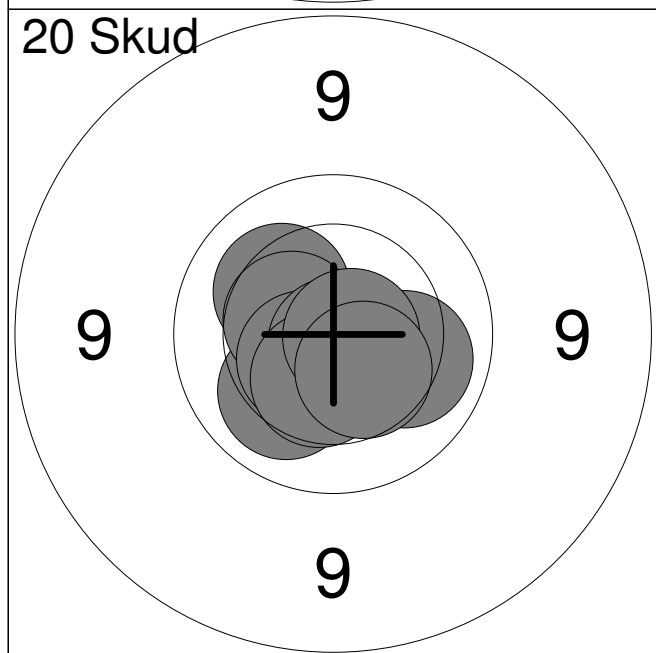
1:	9.4	↗
2:	10.0	↗
3:	10.0	→
4:	10.5x	↑
5:	10.3	↗
6:	10.7x	→
7:	10.4	↓
8:	10.8x	←
9:	9.3	↗
10:	10.0	→
Serie		98
Total		98



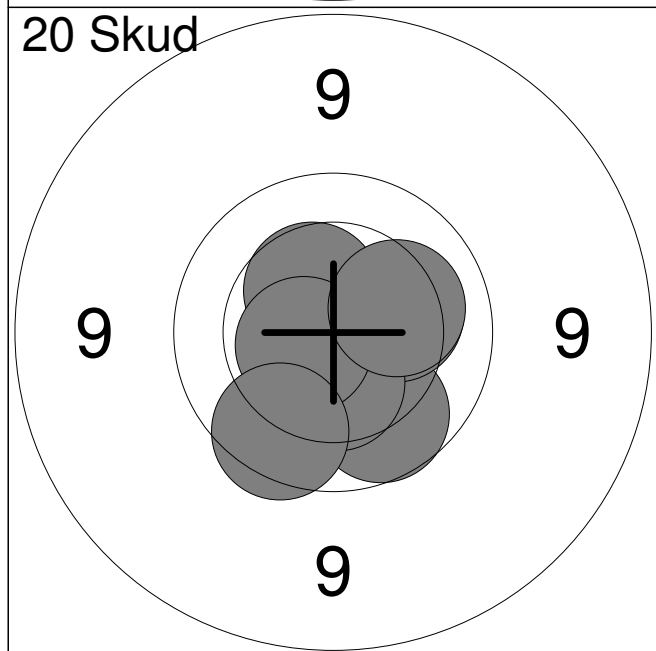
11:	9.9	→
12:	10.4	↘
13:	9.3	→
14:	10.1	↑
15:	10.3	→
16:	10.3	↗
17:	10.8x	↓
18:	10.2	↗
19:	10.3	←
20:	10.3	←
Serie		98
Total		196



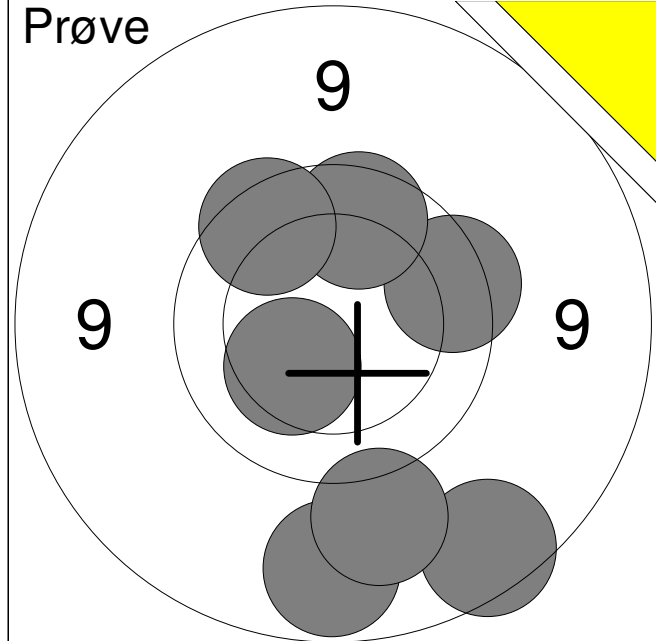
1:	9.3	→
2:	9.3	→
3:	9.7	↗
4:	9.7	↗
5:	9.7	↗
6:	10.5x	↓
7:	9.7	↗
8:	10.6x	↘
Serie		74
Total		0



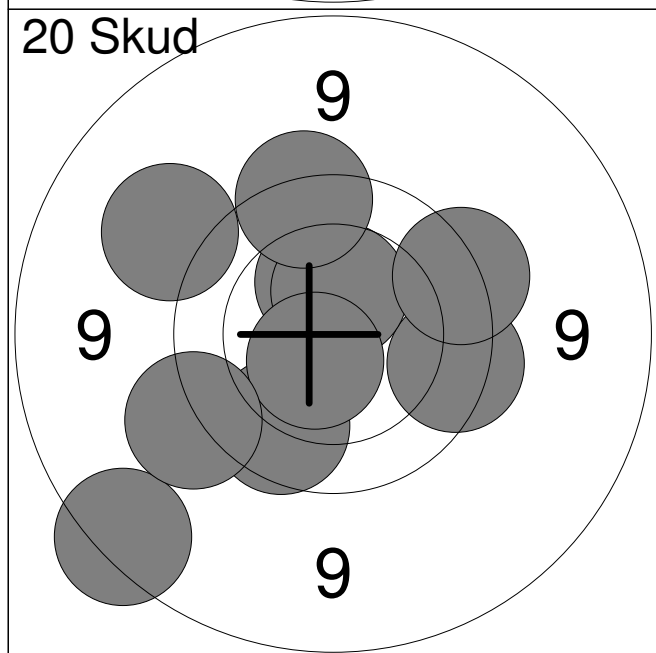
1:	10.1	↘
2:	10.2	↗
3:	10.1	↘
4:	10.8x	↘
5:	10.5	↖
6:	10.5x	↘
7:	10.8x	↓
8:	10.4	↓
9:	10.8x	→
10:	10.4	↘
Serie		100
Total		100



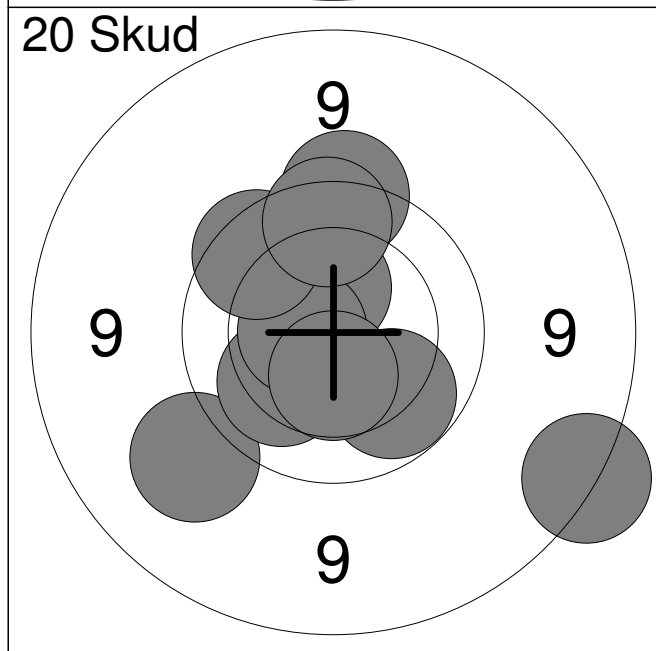
11:	10.5x	↓
12:	10.7x	←
13:	9.9	↘
14:	10.8x	→
15:	10.2	→
16:	10.4	↓
17:	10.4	↗
18:	10.6x	←
19:	10.2	→
20:	9.8	↘
Serie		98
Total		198



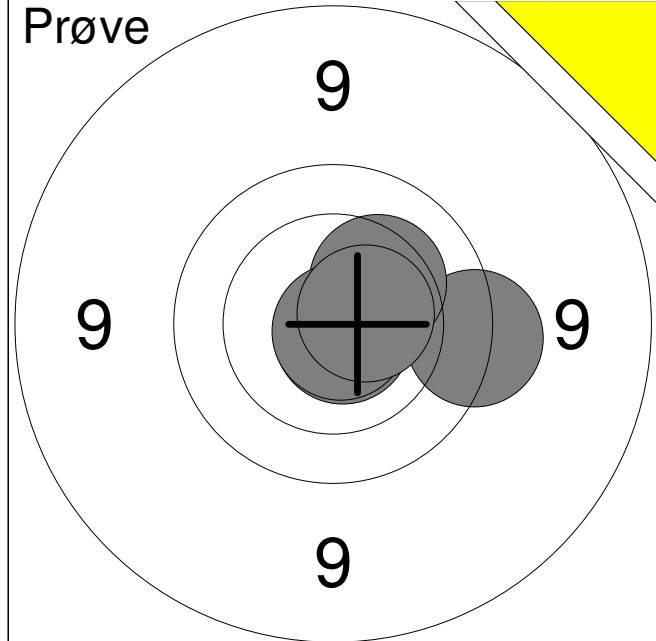
1:	9.0	↓
2:	9.7	→
3:	9.8	↑
4:	9.8	↗
5:	8.9	↘
6:	9.3	↓
7:	10.3	↙
Serie		63
Total		0



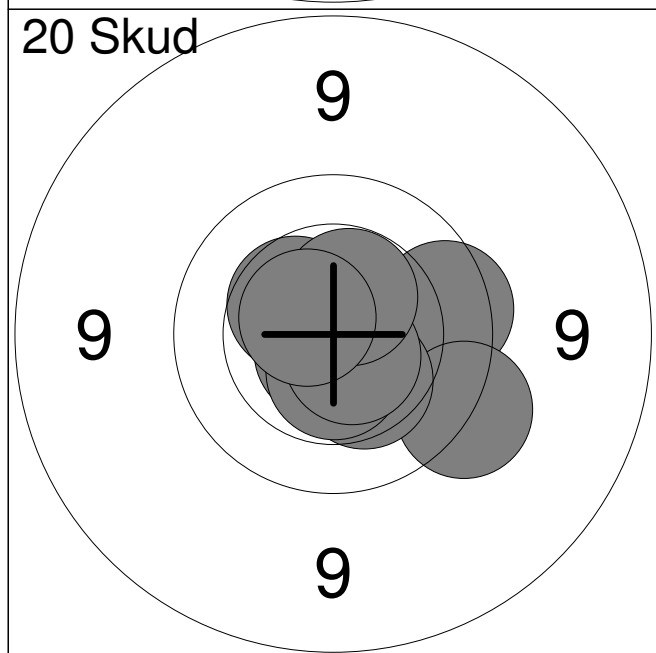
1:	9.7	→
2:	9.9	↘
3:	10.4	↑
4:	10.5	↑
5:	9.6	→
6:	10.6x	↘
7:	8.8	↙
8:	9.5	↖
9:	9.3	↗
10:	9.7	↑
Serie		92
Total		92



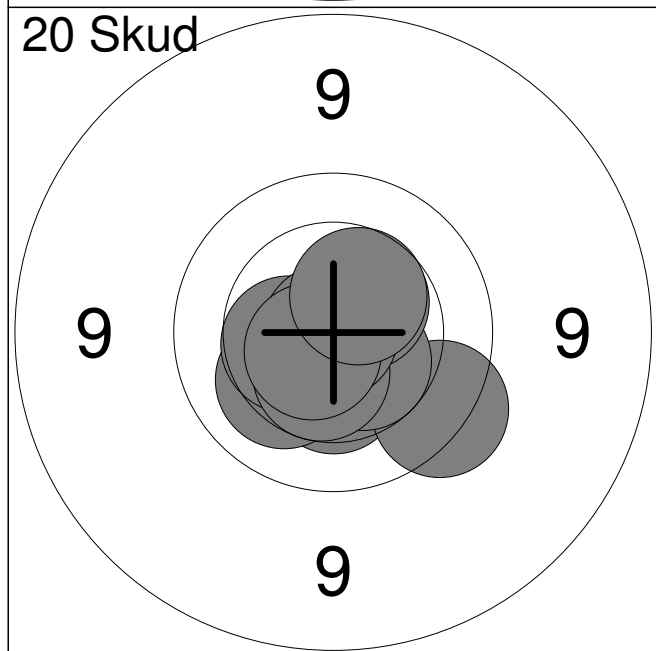
11:	10.0	↘
12:	8.7	↘
13:	9.3	↙
14:	9.6	↑
15:	10.1	↙
16:	10.4	↑
17:	10.6x	←
18:	10.4	↓
19:	9.8	↗
20:	9.8	↑
Serie		94
Total		186



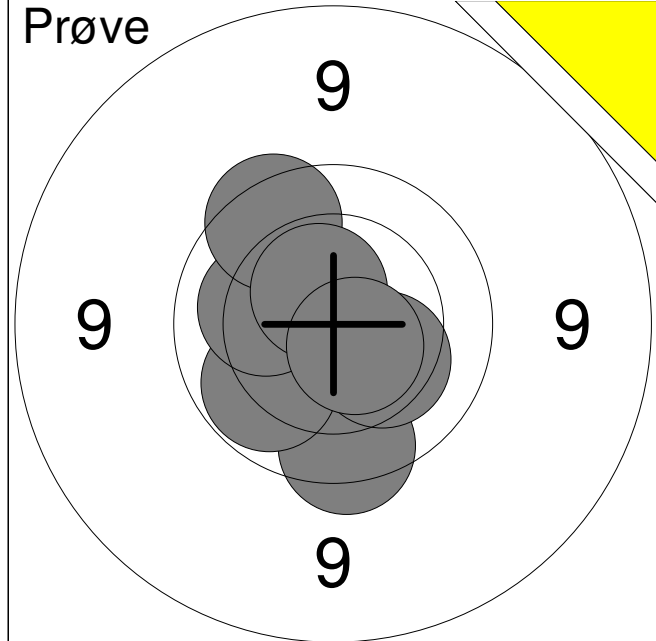
1:	9.6	→
2:	10.3	↗
3:	10.8x	↘
4:	10.8x	↘
5:	10.6x	→
Serie		49
Total		0



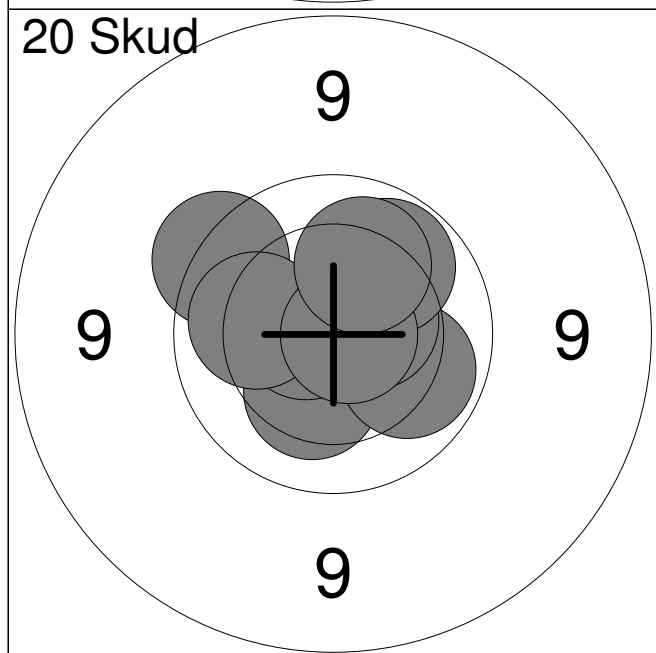
1:	9.8	→
2:	9.6	↘
3:	10.7x	↗
4:	10.3	↘
5:	10.7x	↘
6:	10.5x	↓
7:	10.6x	↘
8:	10.4	↗
9:	10.5x	↗
10:	10.6x	↗
Serie		98
Total		98



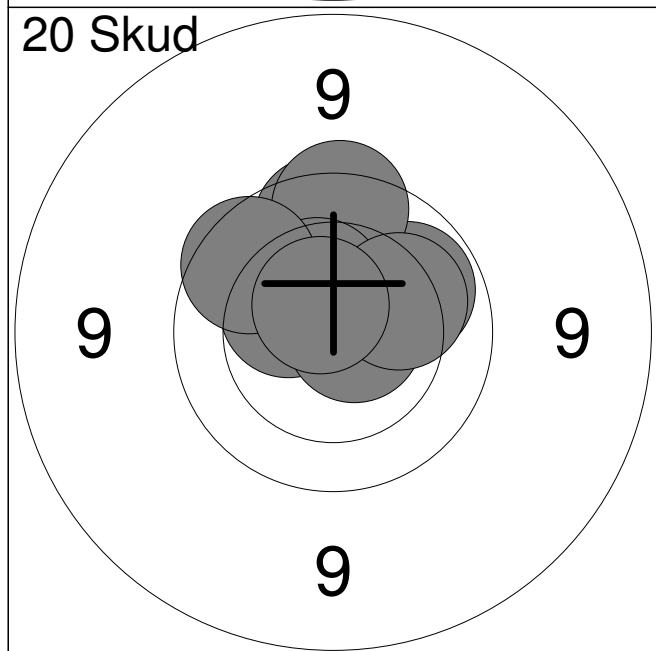
11:	10.4	↓
12:	10.2	↙
13:	9.7	↘
14:	10.5	↘
15:	10.5x	↗
16:	10.4	←
17:	10.5	↓
18:	10.9x	←
19:	10.6x	↙
20:	10.5	↗
Serie		99
Total		197



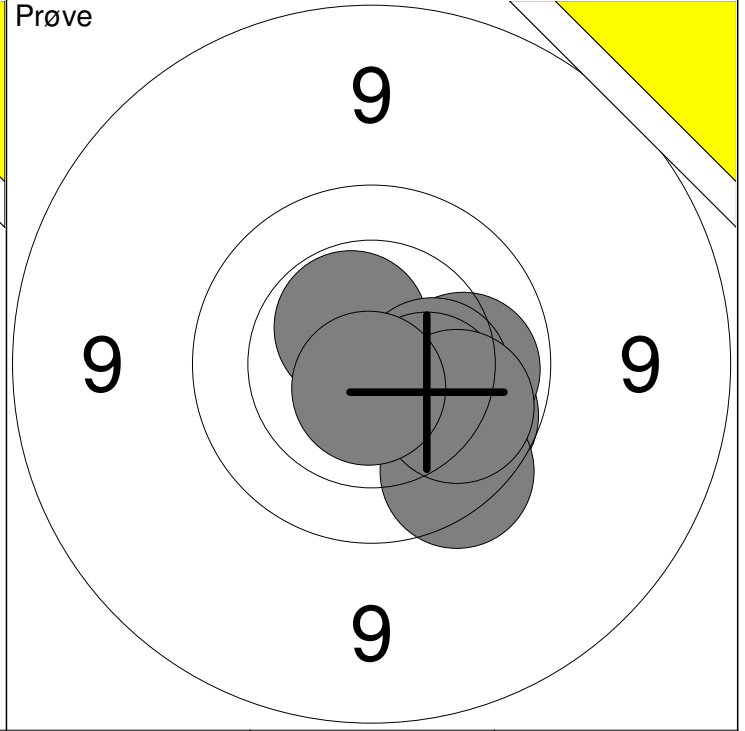
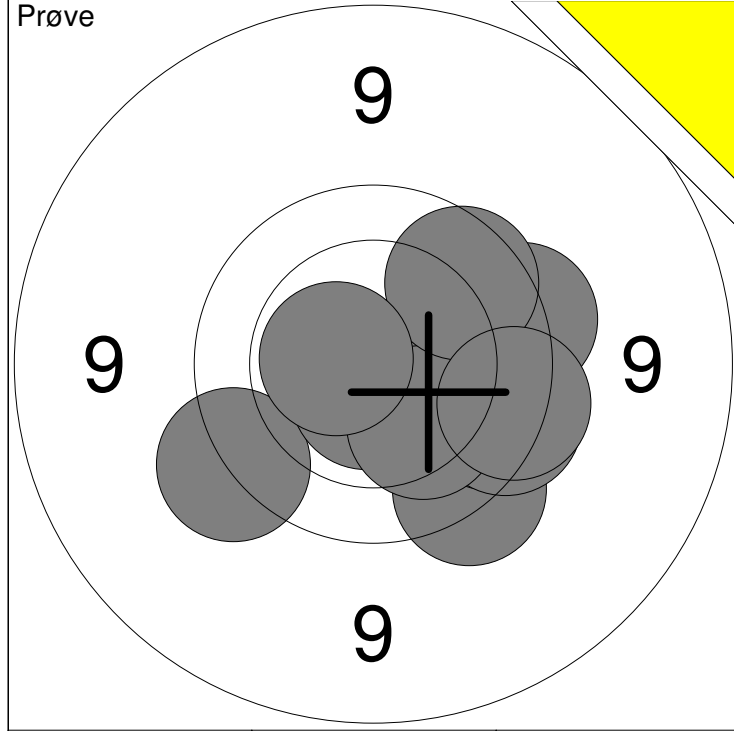
1:	9.8	↓
2:	10.0	↙
3:	10.3	↘
4:	10.2	←
5:	9.8	↗
6:	10.6x	↗
7:	10.6x	↘
Serie		68
Total		0



1:	10.8x	←
2:	10.3	↓
3:	10.0	↘
4:	10.5x	↗
5:	10.6x	←
6:	9.7	↗
7:	10.0	↗
8:	10.1	←
9:	10.8x	→
10:	10.1	↗
Serie		99
Total		99

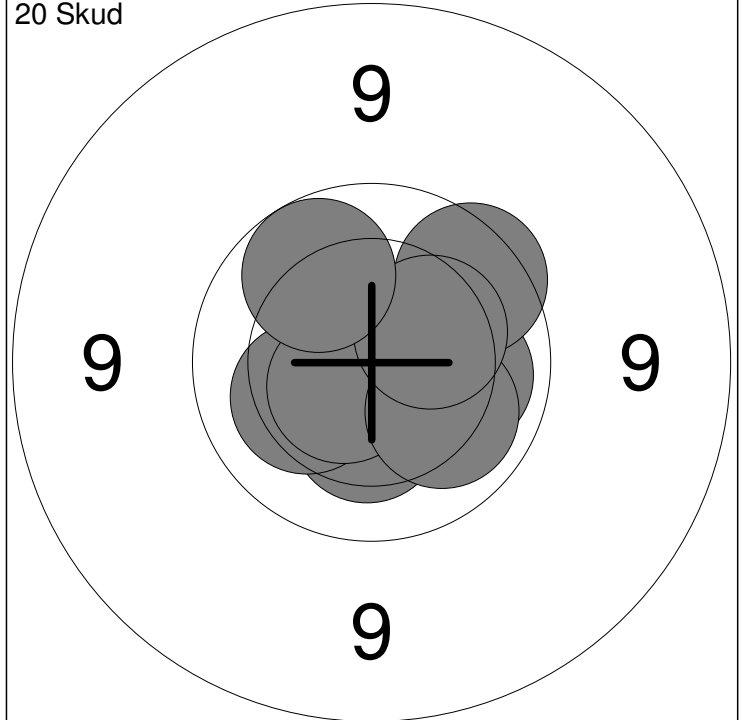
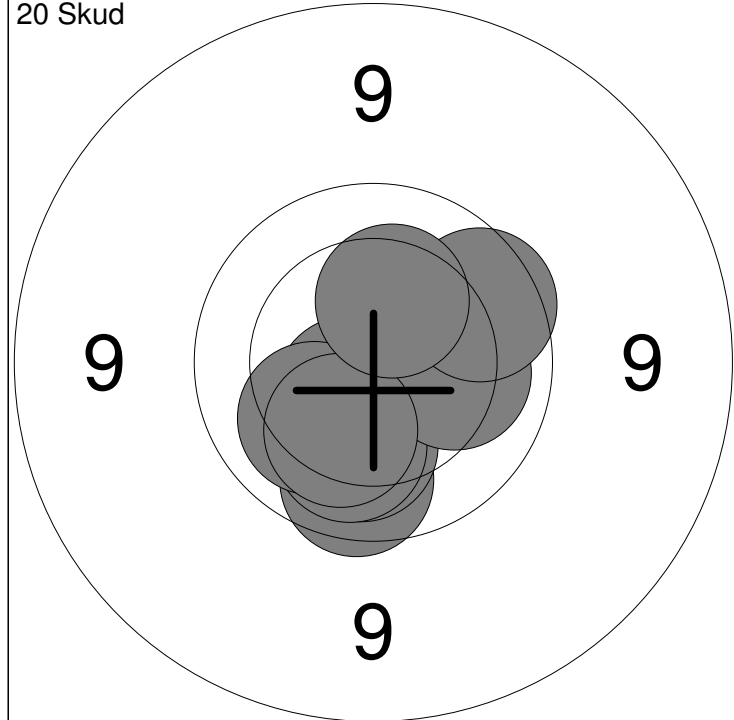


11:	10.4	↙
12:	10.0	↗
13:	10.5	↗
14:	9.8	↑
15:	9.7	↑
16:	10.7x	→
17:	10.4	↗
18:	9.8	↗
19:	10.1	↗
20:	10.6x	↗
Serie		97
Total		196



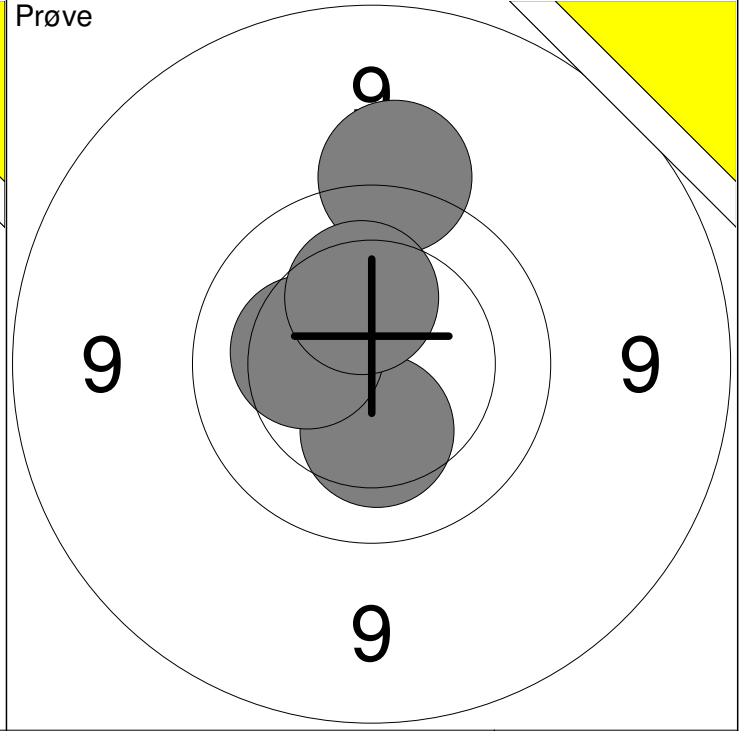
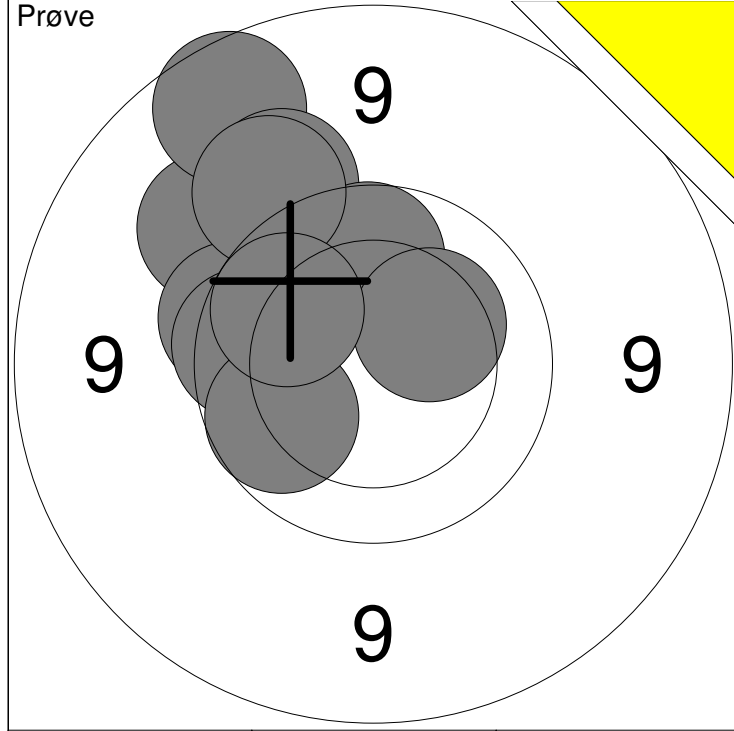
1: 9.6 ↙	6: 9.7 →	Serie	93
2: 9.6 ↘	7: 10.2 ↘		
3: 10.7x ↓	8: 9.9 ↗	Total	0
4: 9.7 →	9: 9.7 →		
5: 9.8 →	10: 10.6x ←		

11: 9.9 ↘	16: 9.8 ↘	Serie	78
12: 10.0 →	17: 10.0 ↘		
13: 10.5x ↗	18: 10.7x ↓	Total	0
14: 10.3 →			
15: 10.4 ↘			



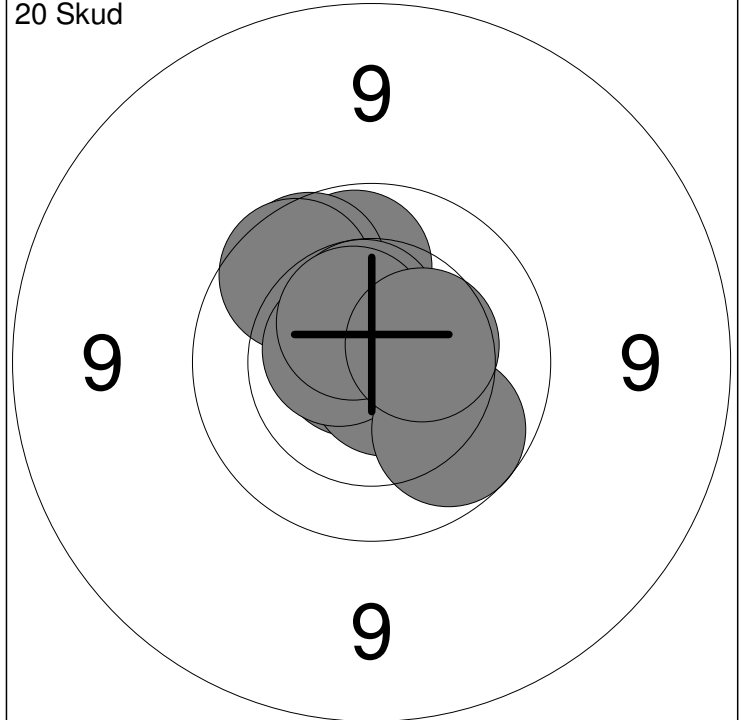
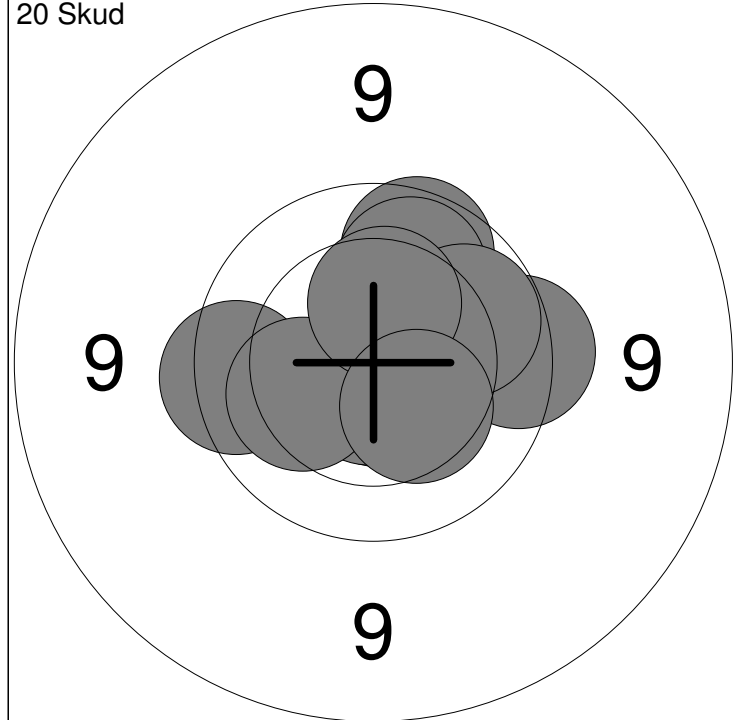
1: 10.7x →	6: 10.2 →	Serie	98
2: 10.6x ↘	7: 10.2 ↘		
3: 9.9 ↓	8: 9.8 ↗	Total	98
4: 10.1 ↓	9: 10.2 ↘		
5: 10.1 ↓	10: 10.3 ↗		

11: 10.1 →	16: 10.2 ↙	Serie	99
12: 10.3 ↓	17: 10.6x ↙		
13: 10.6x ↙	18: 10.1 ↘	Total	197
14: 9.8 ↗	19: 10.3 ↗		
15: 10.4 ↘	20: 10.0 ↗		



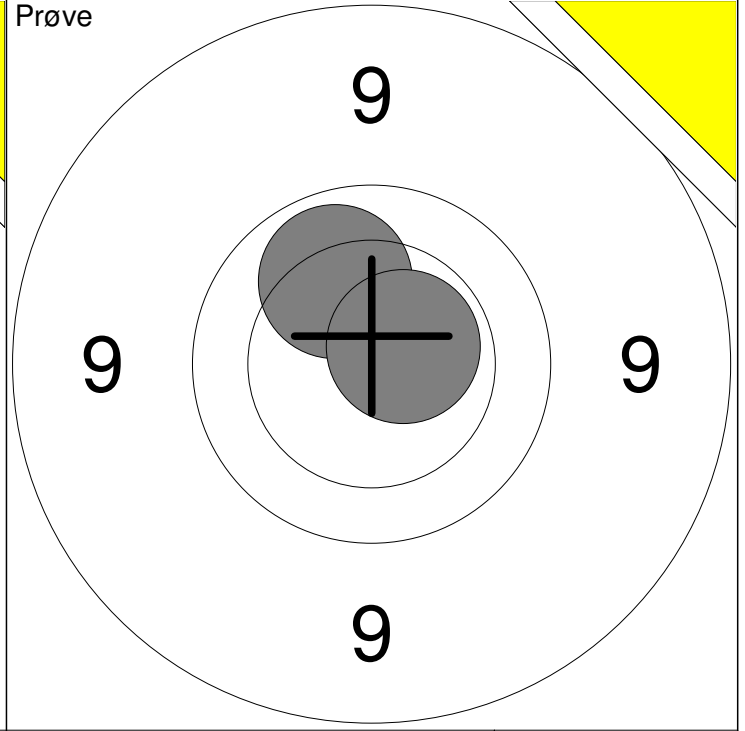
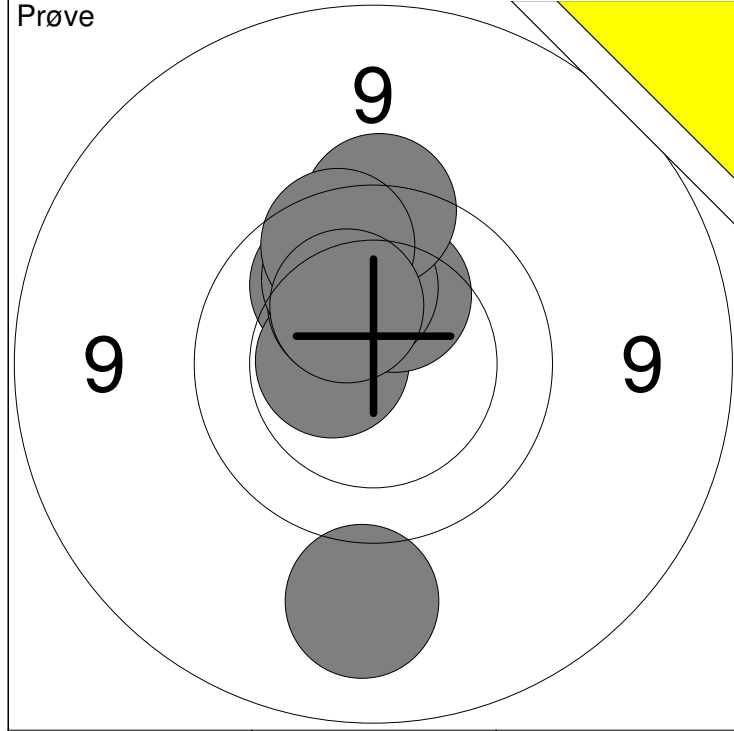
1: 9.4 ↗	6: 10.3 ↘	Serie 91
2: 9.7 ↖	7: 9.8 ↖	
3: 8.9 ↗	8: 9.4 ↗	Total 0
4: 9.4 ↗	9: 9.9 ↖	
5: 9.9 ↑	10: 10.0 ↖	

11: 9.5 ↑	Serie 39
12: 10.3 ↓	
13: 10.3 ↖	Total 0
14: 10.3 ↑	



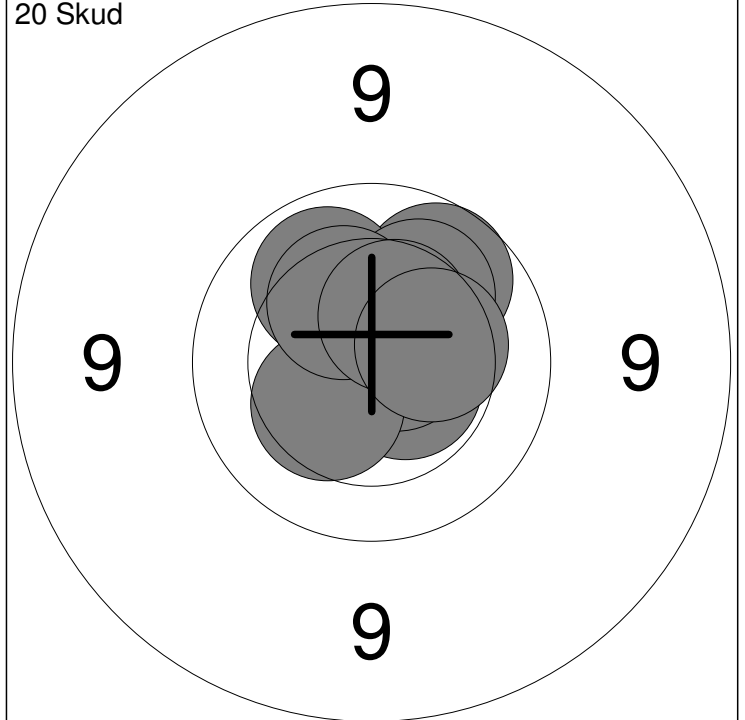
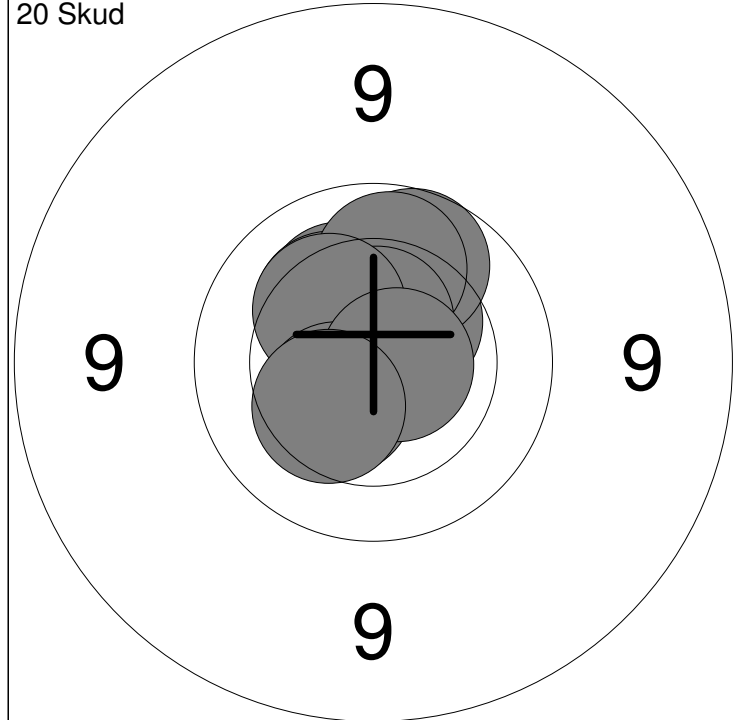
1: 9.7 →	6: 10.7x ↓	Serie 97
2: 9.9 ↑	7: 10.7x ↓	
3: 9.8 ↖	8: 10.2 ↖	Total 97
4: 10.0 ↑	9: 10.4 ↑	
5: 10.0 ↗	10: 10.3 ↘	

11: 10.0 ↑	16: 10.5 ↑	Serie 97
12: 9.9 ↗	17: 10.6x ↖	
13: 10.8x ↖	18: 9.9 ↘	Total 194
14: 9.9 ↗	19: 10.5x ↑	
15: 10.7x ↘	20: 10.4 →	



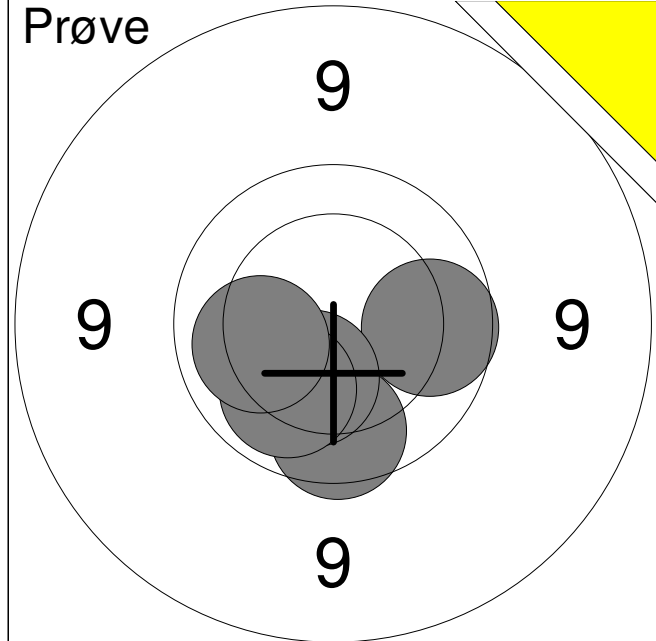
1: 9.2 ↓	6: 10.3 ↖	Serie	97
2: 10.1 ↗	7: 10.1 ↗		
3: 10.5x ←	8: 9.7 ↑	Total	0
4: 10.2 ↑	9: 9.8 ↑		
5: 10.2 ↑	10: 10.3 ↖		

11: 10.1 ↖	Serie	20
12: 10.6x ↗		
Total		0

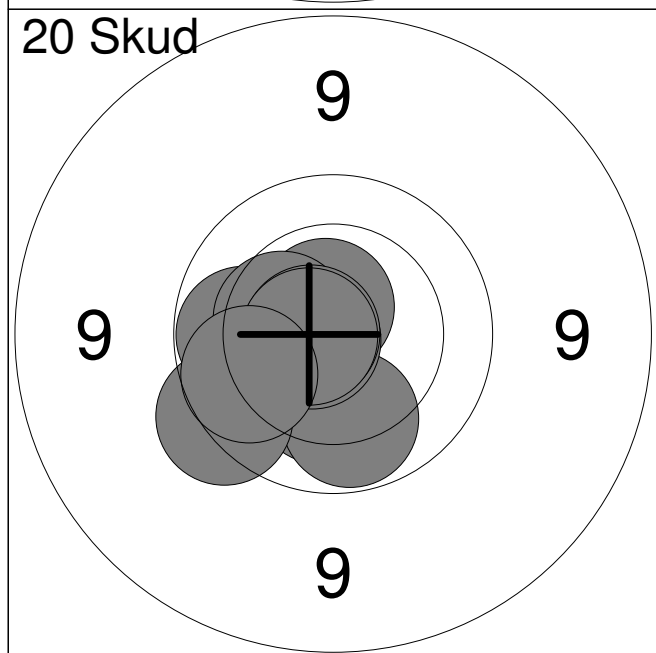


1: 10.3 ↖	6: 10.6x ↑	Serie	99
2: 10.4 ↗	7: 10.3 ↖		
3: 10.3 ↖	8: 10.5 ↘	Total	99
4: 9.9 ↑	9: 10.7x →		
5: 10.0 ↑	10: 10.3 ↘		

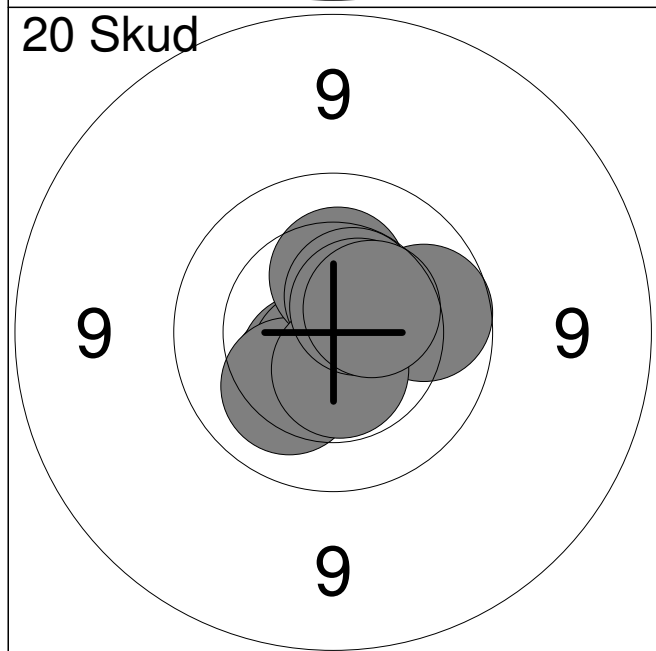
11: 10.7x ↙	16: 10.1 ↖	Serie	99
12: 10.6x ↘	17: 10.2 ↗		
13: 10.7x →	18: 10.3 ↖	Total	198
14: 9.9 ↑	19: 10.4 ↑		
15: 10.4 ↙	20: 10.3 →		



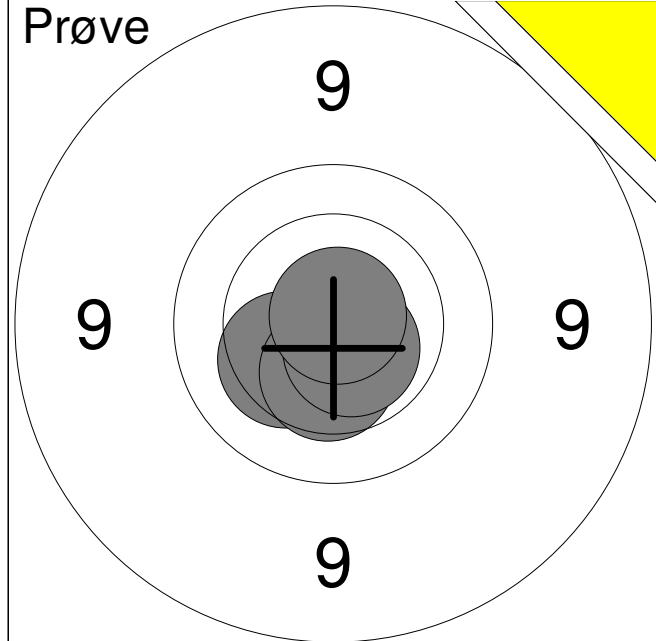
1:	9.9	→
2:	9.8	↓
3:	10.3	↓
4:	10.1	↙
5:	10.1	←
Serie		48
Total		0



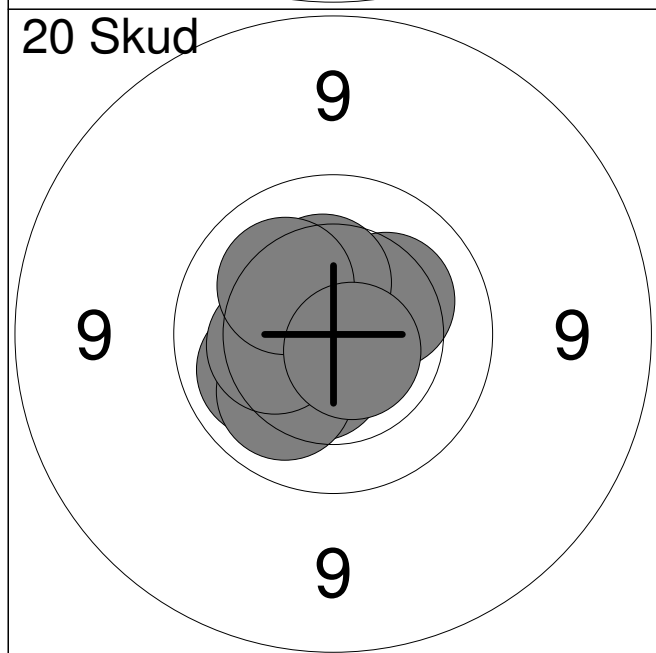
1:	10.6x	↑
2:	10.3	↓
3:	10.0	↓
4:	10.0	←
5:	10.7x	←
6:	10.4	←
7:	10.7x	←
8:	10.7x	←
9:	9.7	↙
10:	9.9	←
Serie		98
Total		98



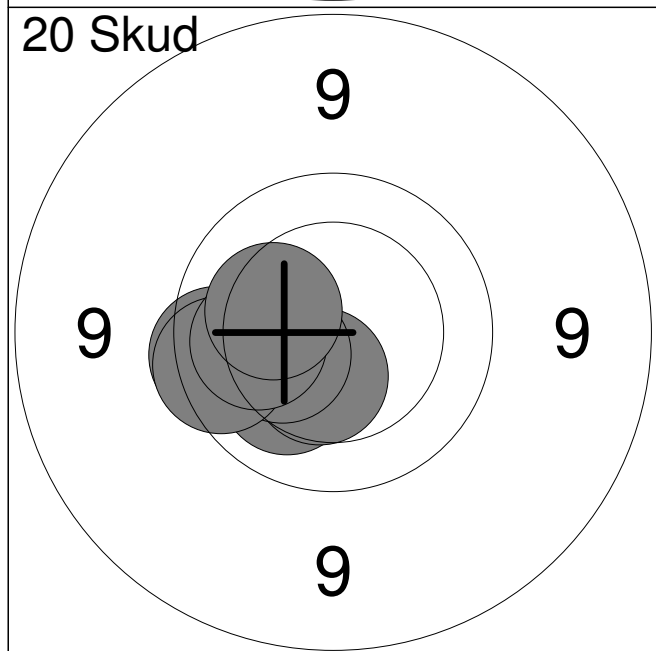
11:	10.3	↙
12:	10.5x	↙
13:	10.6x	↙
14:	10.2	↙
15:	10.3	↑
16:	9.9	→
17:	10.5x	↗
18:	10.5x	↓
19:	10.6x	↗
20:	10.4	↗
Serie		99
Total		197



1:	10.3	↙
2:	10.4	↓
3:	10.6x	↘
4:	10.8x	↗
Serie		40
Total		0

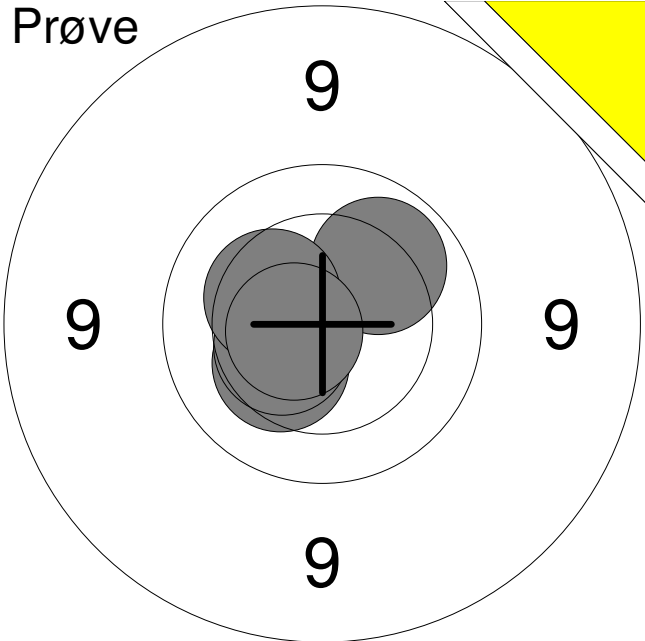


1:	10.3	↗
2:	10.3	↙
3:	10.1	↙
4:	10.9x	↘
5:	10.5x	↓
6:	10.1	↙
7:	10.3	←
8:	10.4	↑
9:	10.2	↗
10:	10.7x	↘
Serie		100
Total		100



11:	10.1	↙
12:	10.2	↙
13:	9.8	←
14:	10.4	↓
15:	10.1	←
16:	10.3	←
17:	10.3	←
18:	9.8	←
19:	10.1	←
20:	10.3	↙
Serie		98
Total		198

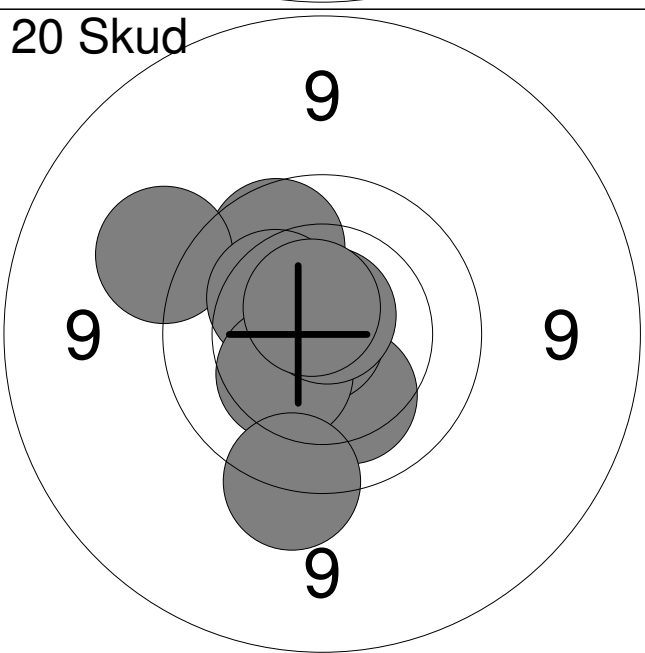
Prøve



1:	10.3	↙
2:	10.4	↙
3:	10.1	↗
4:	10.3	↖
5:	10.6x	↙

Serie	50
Total	0

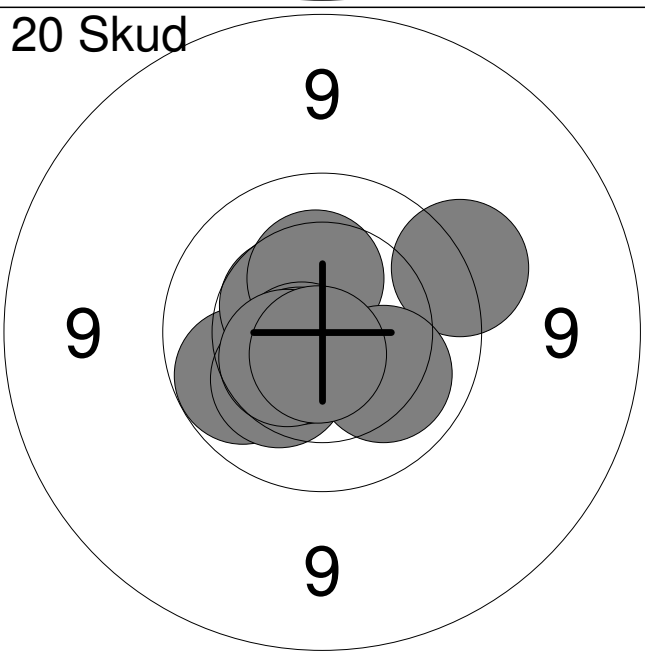
20 Skud



1:	10.8x	↗
2:	9.9	↗
3:	10.2	↘
4:	10.9x	↖
5:	9.4	↖
6:	10.3	↗
7:	10.3	↘
8:	9.6	↘
9:	10.7x	↗
10:	10.6x	↗

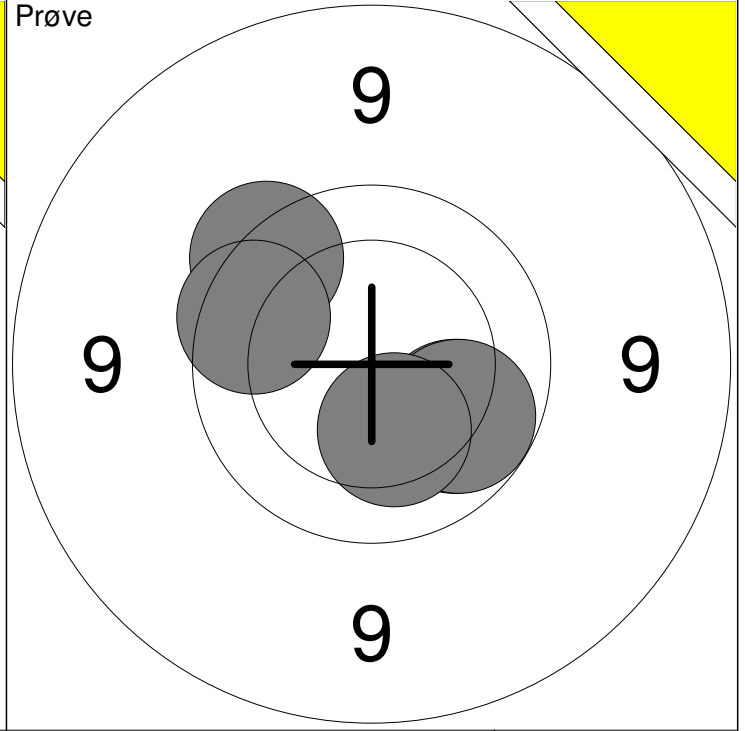
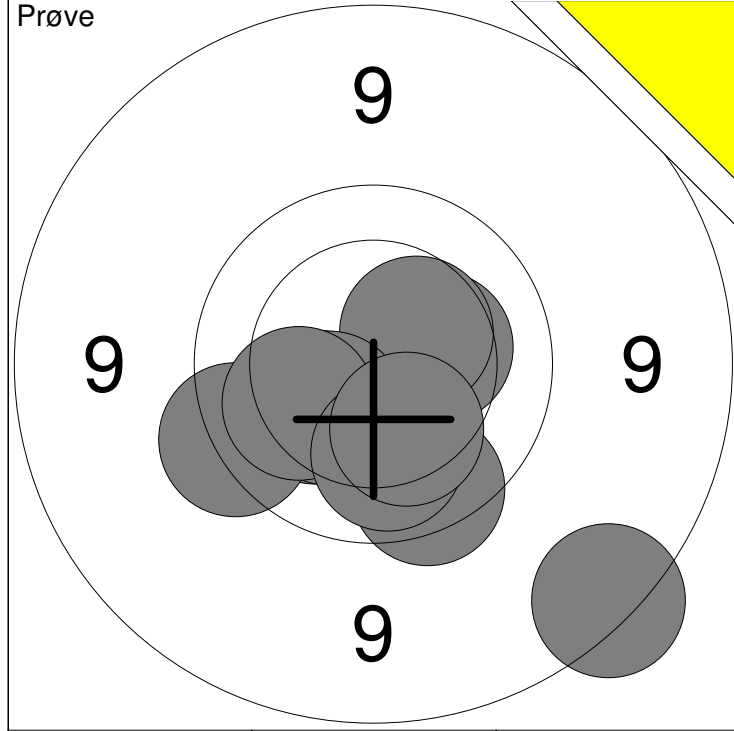
Serie	97
Total	97

20 Skud



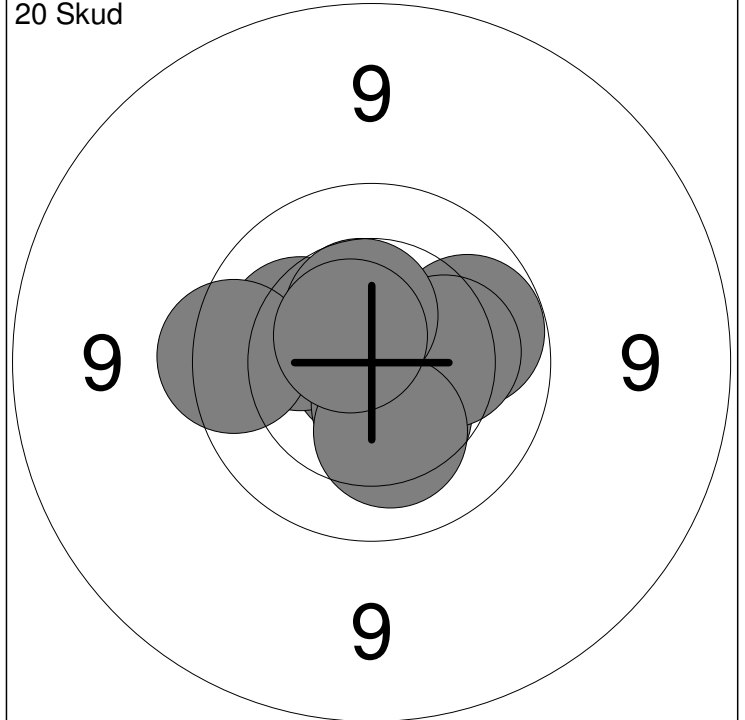
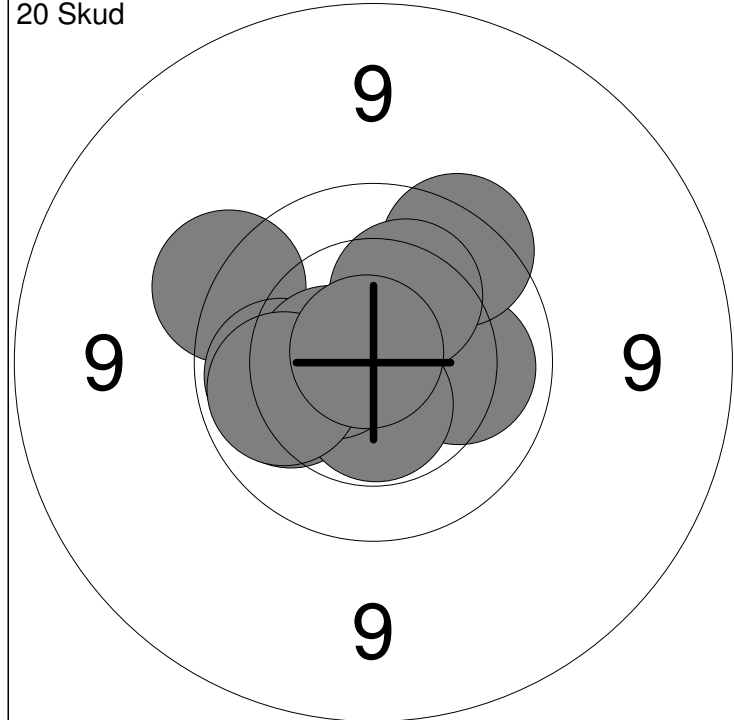
11:	10.0	↙
12:	10.2	↙
13:	9.6	↗
14:	10.5	↖
15:	10.4	↗
16:	10.6x	↙
17:	10.6x	↙
18:	10.5	↙
19:	10.1	↘
20:	10.7x	↘

Serie	99
Total	196



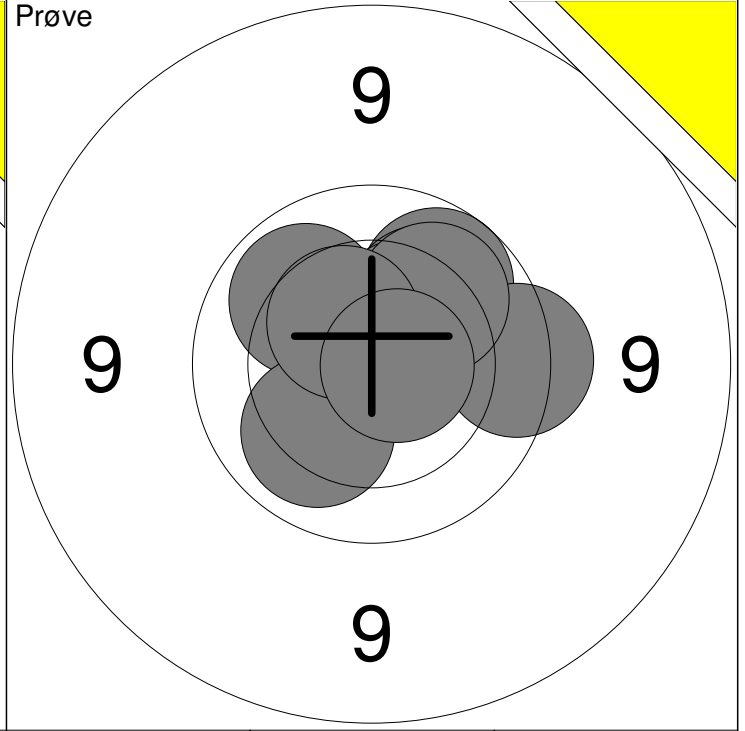
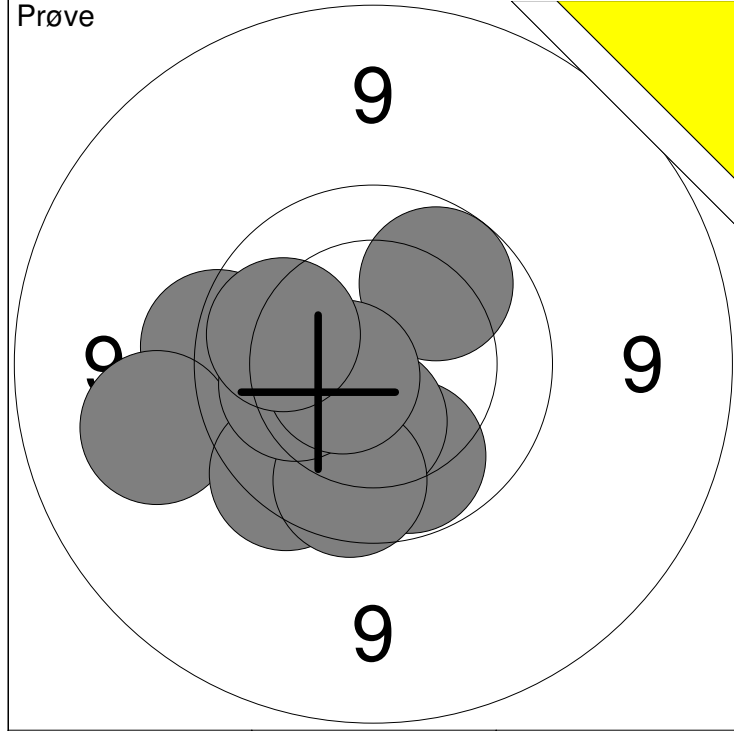
1: 10.3 →	6: 10.3 ↙	Serie	96
2: 8.8 ↘	7: 9.6 ←		
3: 9.8 ↘	8: 10.1 ←	Total	0
4: 10.2 ↙	9: 10.1 ↓		
5: 10.4 ↗	10: 10.2 ↓		

11: 10.0 ↘	Serie	48
12: 9.7 ↗		
13: 9.8 ↗	Total	0
14: 10.0 ↘		
15: 10.3 ↓		



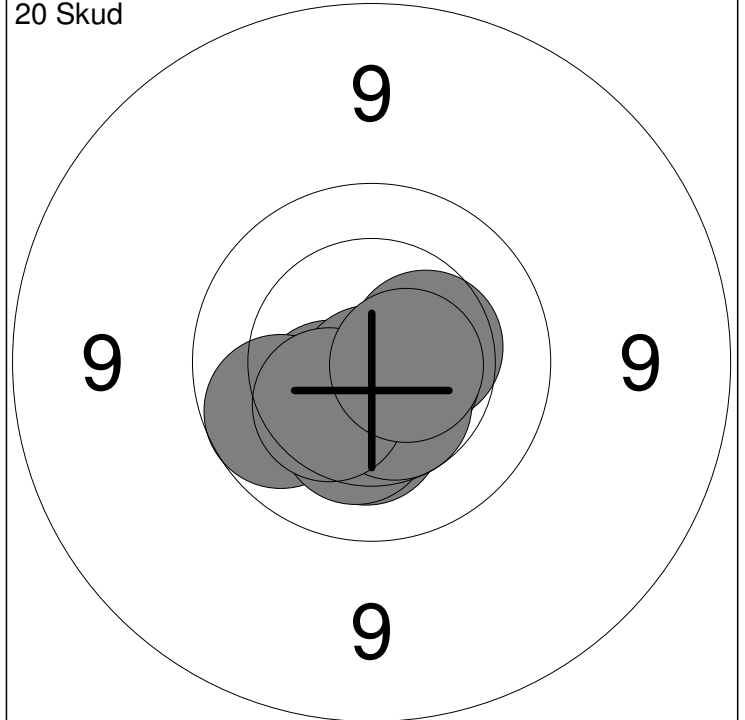
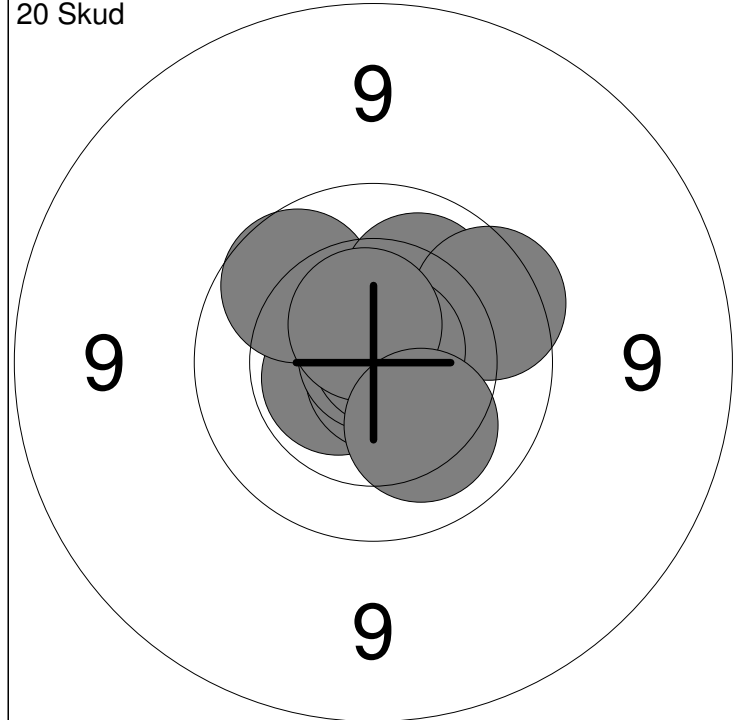
1: 9.6 ↖	6: 10.5x ←	Serie	98
2: 10.1 ←	7: 9.7 ↗		
3: 10.1 →	8: 10.0 ←	Total	98
4: 10.5x ↓	9: 10.2 ↗		
5: 10.0 ←	10: 10.8x ↗		

11: 10.9x ←	16: 9.8 ←	Serie	99
12: 10.2 ←	17: 10.2 →		
13: 10.0 →	18: 10.5 ↑	Total	197
14: 10.5x ↓	19: 10.3 ↓		
15: 10.4 ↓	20: 10.6x ↗		



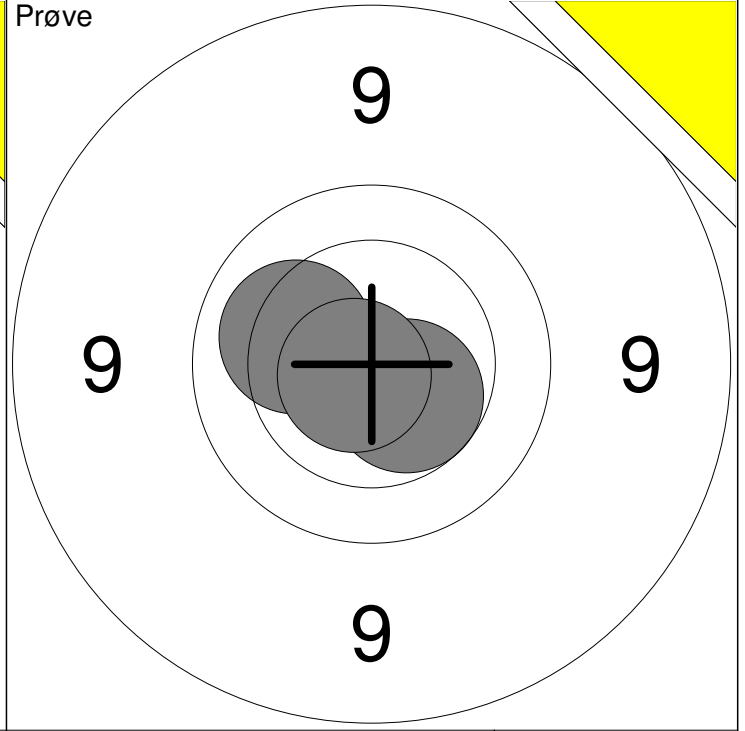
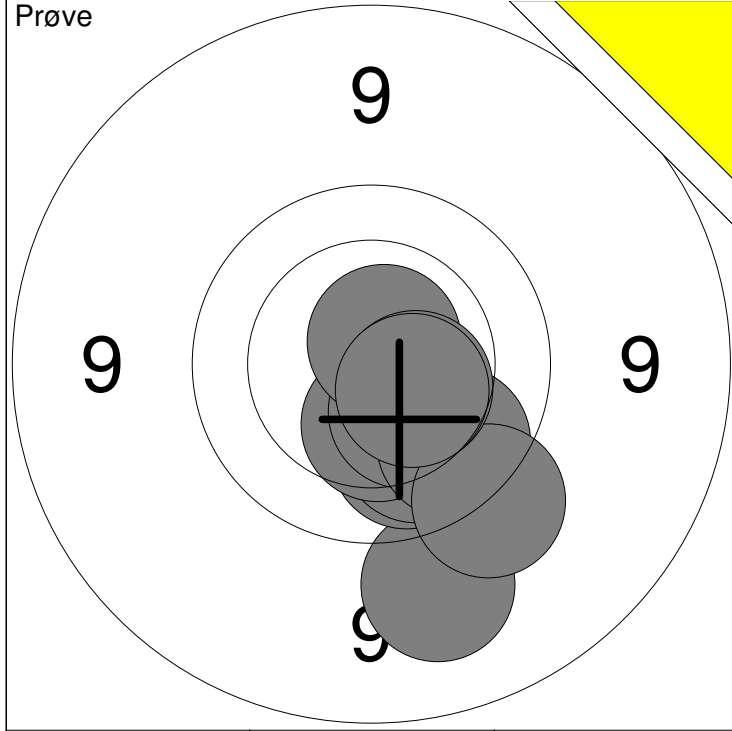
1: 9.6 ←	6: 9.9 ↓	Serie	96
2: 9.3 ←	7: 10.0 ↗		
3: 9.7 ↙	8: 10.2 ←	Total	0
4: 10.0 ↓	9: 10.6x ←		
5: 10.4 ↓	10: 10.0 ←		

11: 10.1 ↖	16: 10.1 ↙	Serie	88
12: 9.9 ↗	17: 10.1 ↗		
13: 10.2 ↗	18: 10.5 ↖	Total	0
14: 9.7 →	19: 10.7x →		
15: 10.3 ↗			



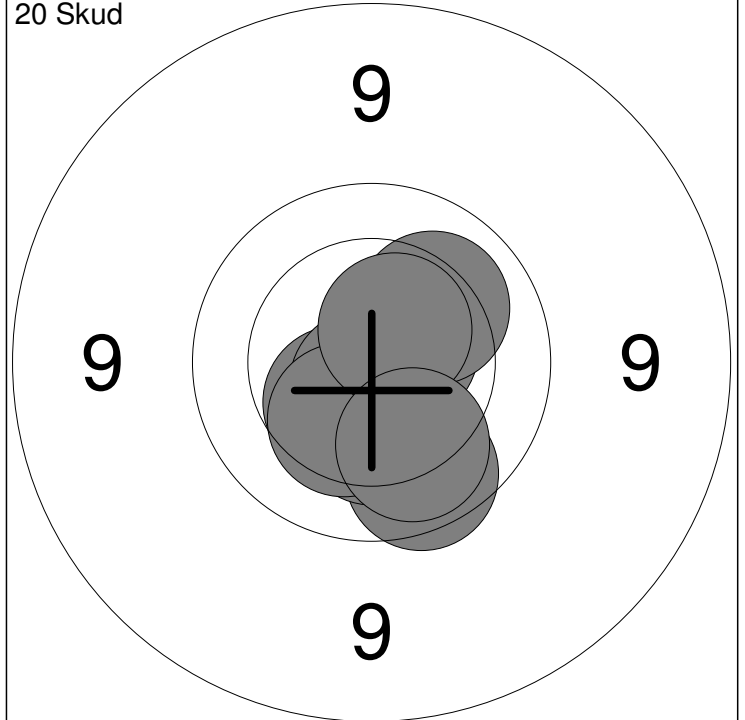
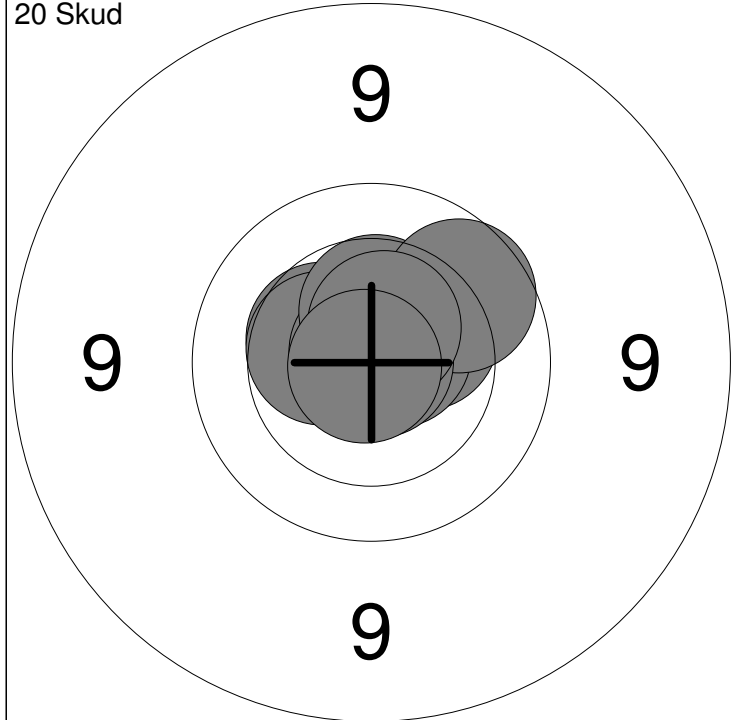
1: 10.6x ↙	6: 10.9x ↗	Serie	98
2: 10.8x ↓	7: 9.8 ↗		
3: 9.9 ↖	8: 10.8x ↗	Total	98
4: 10.5x ↗	9: 10.6x ↗		
5: 10.1 ↗	10: 10.2 ↓		

11: 10.4 ↙	16: 10.6x →	Serie	99
12: 10.8x ↓	17: 10.3 ↓		
13: 10.3 ↓	18: 10.5 ↓	Total	197
14: 10.4 →	19: 10.4 ↙		
15: 9.9 ↙	20: 10.6x →		



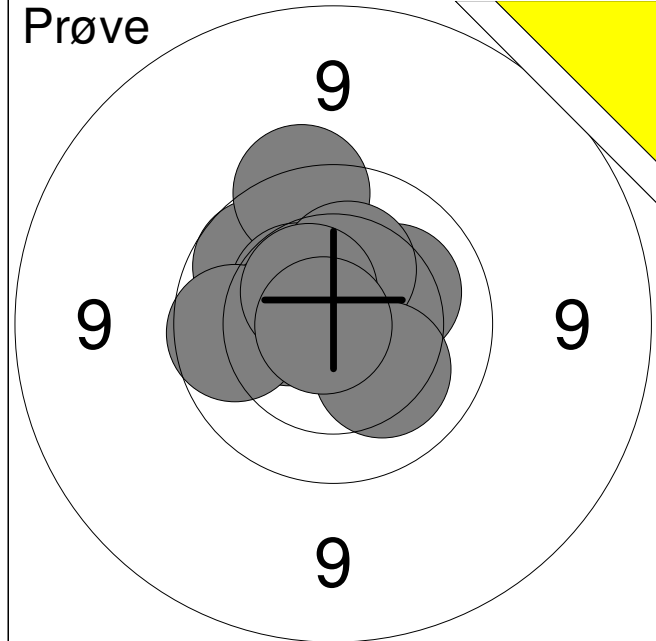
1: 9.2 ↓	6: 9.9 ↓	Serie	97
2: 10.0 ↓	7: 9.5 ↓		
3: 10.0 ↓	8: 10.7x ↗	Total	0
4: 10.4 ↓	9: 10.5 ↓		
5: 10.4 ↓	10: 10.5 ↓		

11: 10.5 ↓	Serie	30
12: 10.2 ↖		
13: 10.7x ↙	Total	0

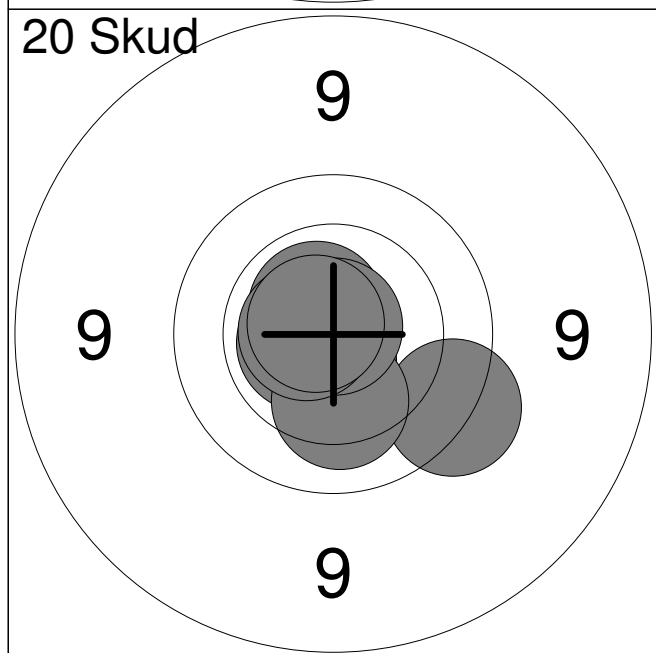


1: 10.4 ↖	6: 10.7x ↗	Serie	99
2: 10.5 ↖	7: 9.9 ↗		
3: 10.8x ↗	8: 10.9x ↗	Total	99
4: 10.4 ↗	9: 10.6x ↗		
5: 10.4 ↗	10: 10.9x ↖		

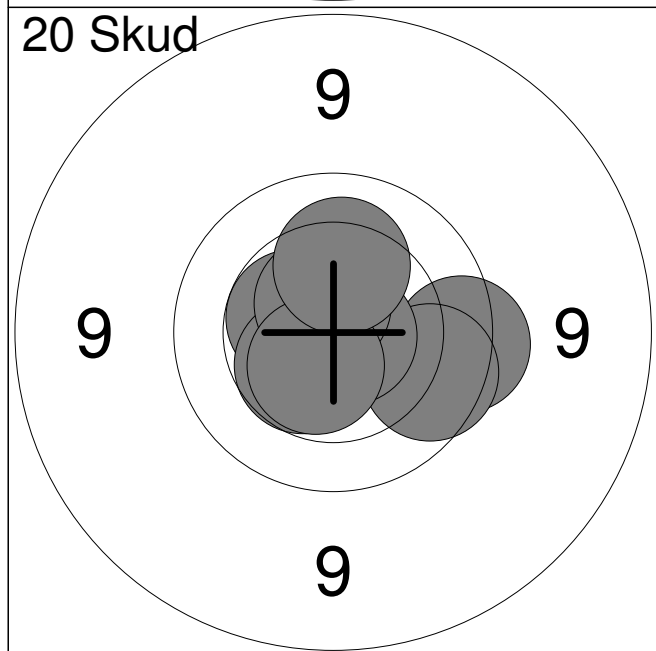
11: 10.4 ↖	16: 10.3 ↓	Serie	99
12: 10.6x ↗	17: 10.4 ↓		
13: 9.8 ↓	18: 10.3 ↓	Total	198
14: 10.7x ↓	19: 10.6x ↗		
15: 10.1 ↗	20: 10.1 ↓		



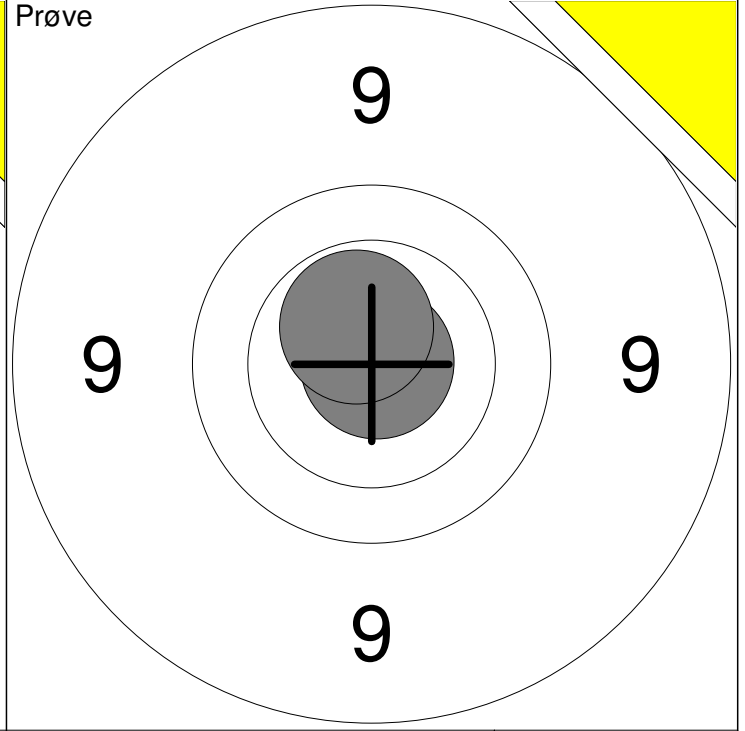
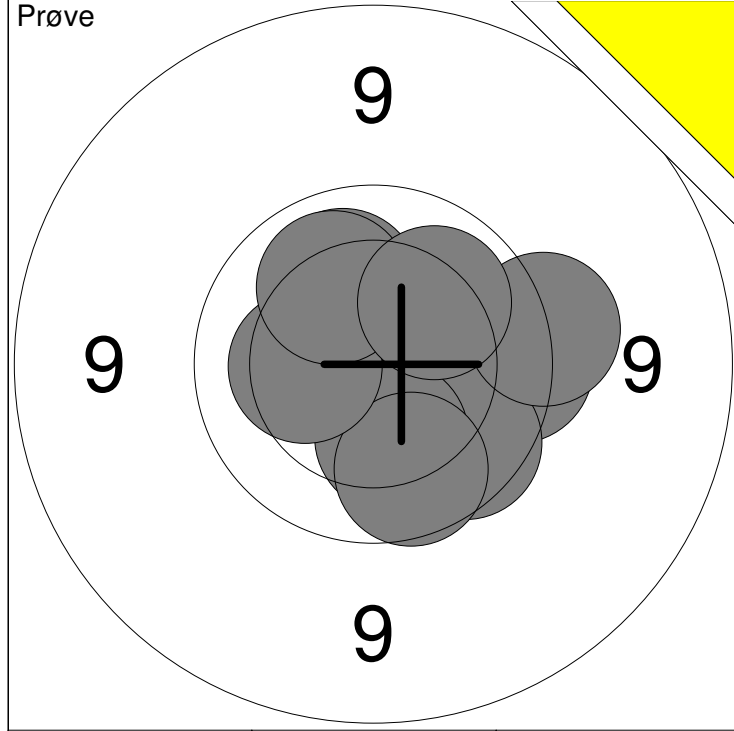
1:	9.9	↗
2:	10.2	↘
3:	9.7	↑
4:	10.4	↗
5:	10.5	←
6:	9.9	←
7:	10.3	↑
8:	10.5x	↗
9:	10.2	↘
10:	10.8x	←
Serie		97
Total		0



1:	10.6x	↓
2:	10.6x	←
3:	10.7x	←
4:	10.6x	↗
5:	9.6	↘
6:	10.9x	←
7:	10.2	↓
8:	10.9x	↑
9:	10.7x	←
10:	10.7x	↗
Serie		99
Total		99

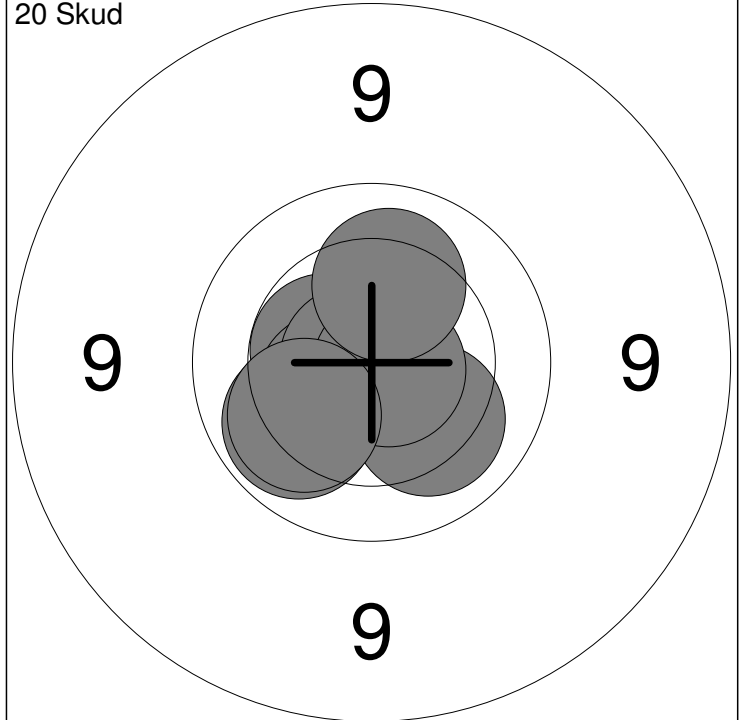
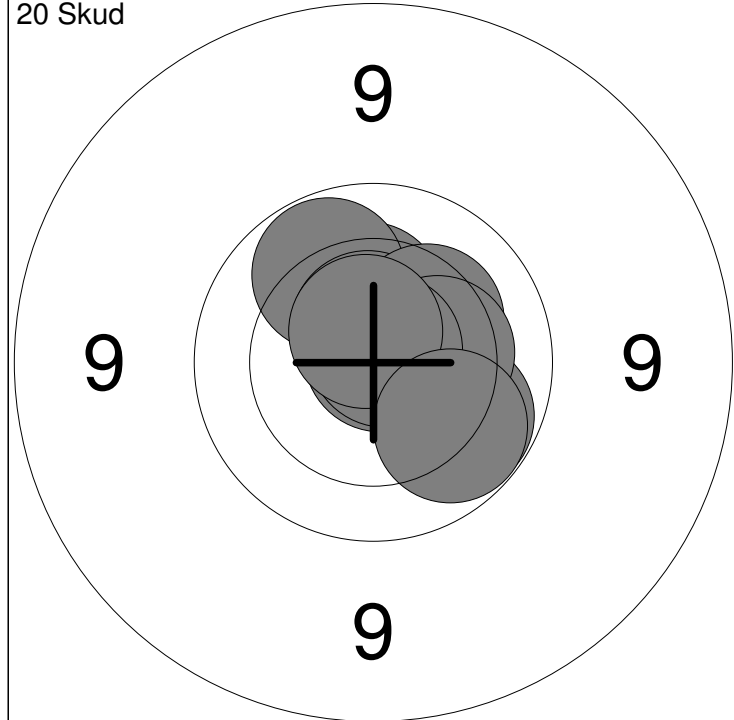


11:	10.6x	←
12:	10.5x	←
13:	10.5	↘
14:	9.7	→
15:	10.6x	↑
16:	9.9	↘
17:	10.8x	→
18:	10.6x	↑
19:	10.5x	↘
20:	10.2	↑
Serie		98
Total		197



1: 10.1 ↗	6: 9.9 ↓	Serie	96
2: 9.7 →	7: 10.3 ←		
3: 10.9x ←	8: 10.1 ↗	Total	0
4: 9.8 ↓	9: 9.6 →		
5: 10.2 ↓	10: 10.1 ↗		

11: 10.9x ↗	Serie	20
12: 10.6x ↗		
Total		0

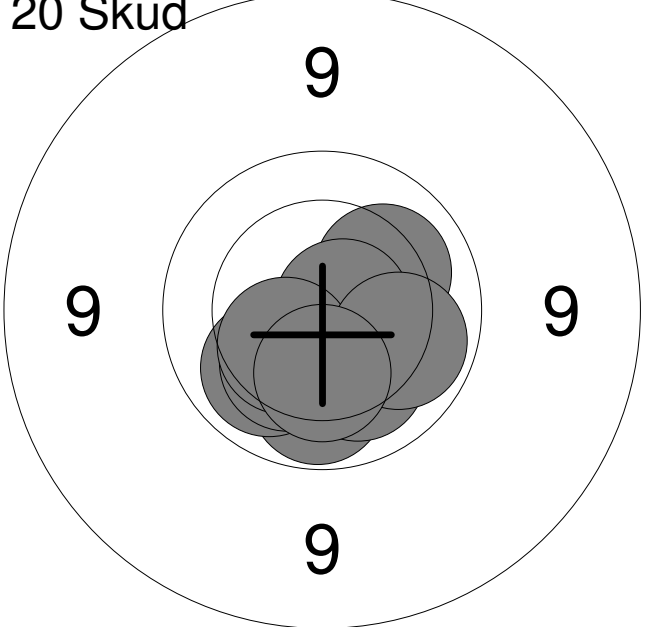


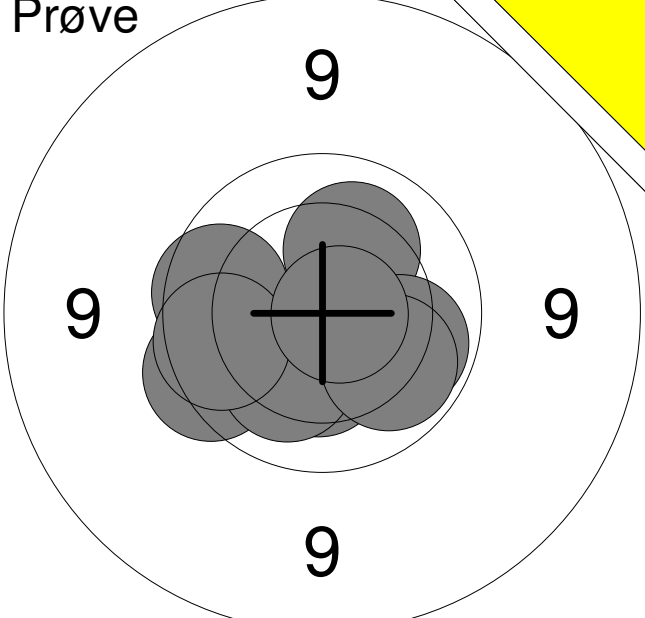
1: 10.3 ↗	6: 10.0 ↓	Serie	100
2: 10.0 ↗	7: 10.3 →		
3: 10.6x ↗	8: 10.8x ↗	Total	100
4: 10.3 ↗	9: 10.6x ↗		
5: 10.9x ↗	10: 10.0 ↓		

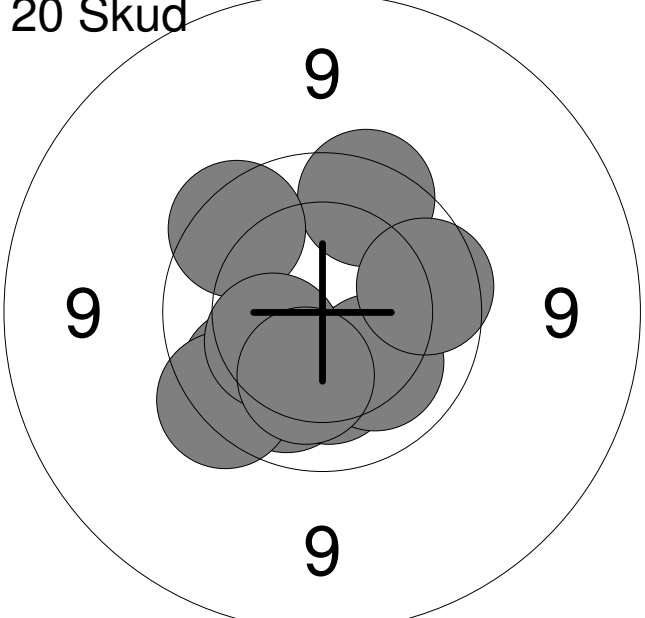
11: 10.5x ←	16: 10.2 ↓	Serie	100
12: 10.8x ←	17: 10.8x →		
13: 10.5x ←	18: 10.0 ↓	Total	200
14: 10.5x ←	19: 10.1 ↓		
15: 10.8x ←	20: 10.2 ↗		

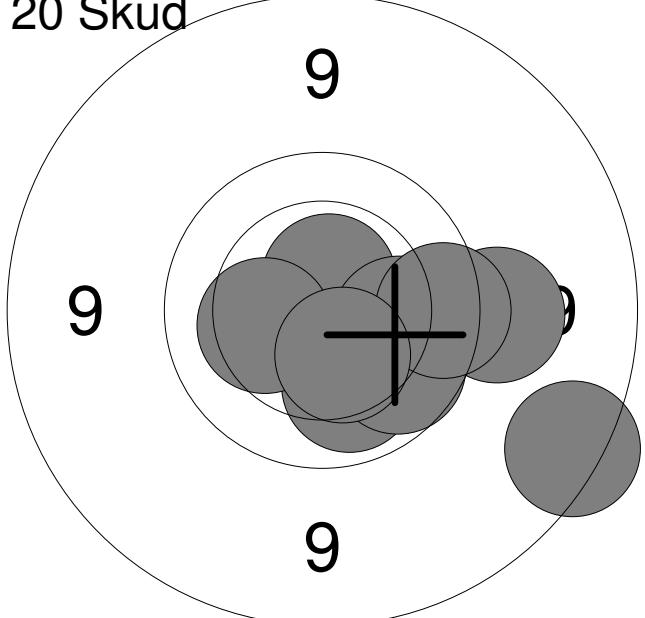
<p>Prøve</p> 	<table style="width:100%; border-collapse: collapse;"> <tr><td style="width:5%;">1:</td><td style="width:15%;">9.7</td><td style="width:10%; text-align: right;">↘</td></tr> <tr><td>2:</td><td>9.5</td><td style="text-align: right;">↘</td></tr> <tr><td>3:</td><td>10.6x</td><td style="text-align: right;">↘</td></tr> <tr><td>4:</td><td>10.1</td><td style="text-align: right;">→</td></tr> <tr><td>5:</td><td>10.5x</td><td style="text-align: right;">↑</td></tr> <tr><td>6:</td><td>10.7x</td><td style="text-align: right;">→</td></tr> <tr><td>7:</td><td>10.4</td><td style="text-align: right;">↗</td></tr> <tr><td>8:</td><td>10.7x</td><td style="text-align: right;">↗</td></tr> <tr><td>9:</td><td>10.7x</td><td style="text-align: right;">↘</td></tr> <tr><td colspan="2">Serie</td><td style="text-align: right;">88</td></tr> <tr><td colspan="2">Total</td><td style="text-align: right;">0</td></tr> </table>	1:	9.7	↘	2:	9.5	↘	3:	10.6x	↘	4:	10.1	→	5:	10.5x	↑	6:	10.7x	→	7:	10.4	↗	8:	10.7x	↗	9:	10.7x	↘	Serie		88	Total		0
1:	9.7	↘																																
2:	9.5	↘																																
3:	10.6x	↘																																
4:	10.1	→																																
5:	10.5x	↑																																
6:	10.7x	→																																
7:	10.4	↗																																
8:	10.7x	↗																																
9:	10.7x	↘																																
Serie		88																																
Total		0																																

<p>20 Skud</p> 	<table style="width:100%; border-collapse: collapse;"> <tr><td style="width:5%;">1:</td><td style="width:15%;">10.6x</td><td style="width:10%; text-align: right;">↑</td></tr> <tr><td>2:</td><td>10.0</td><td style="text-align: right;">↖</td></tr> <tr><td>3:</td><td>10.4</td><td style="text-align: right;">←</td></tr> <tr><td>4:</td><td>10.7x</td><td style="text-align: right;">←</td></tr> <tr><td>5:</td><td>10.4</td><td style="text-align: right;">←</td></tr> <tr><td>6:</td><td>10.3</td><td style="text-align: right;">↘</td></tr> <tr><td>7:</td><td>10.1</td><td style="text-align: right;">↘</td></tr> <tr><td>8:</td><td>9.7</td><td style="text-align: right;">↘</td></tr> <tr><td>9:</td><td>10.5</td><td style="text-align: right;">→</td></tr> <tr><td>10:</td><td>10.7x</td><td style="text-align: right;">↙</td></tr> <tr><td colspan="2">Serie</td><td style="text-align: right;">99</td></tr> <tr><td colspan="2">Total</td><td style="text-align: right;">99</td></tr> </table>	1:	10.6x	↑	2:	10.0	↖	3:	10.4	←	4:	10.7x	←	5:	10.4	←	6:	10.3	↘	7:	10.1	↘	8:	9.7	↘	9:	10.5	→	10:	10.7x	↙	Serie		99	Total		99
1:	10.6x	↑																																			
2:	10.0	↖																																			
3:	10.4	←																																			
4:	10.7x	←																																			
5:	10.4	←																																			
6:	10.3	↘																																			
7:	10.1	↘																																			
8:	9.7	↘																																			
9:	10.5	→																																			
10:	10.7x	↙																																			
Serie		99																																			
Total		99																																			

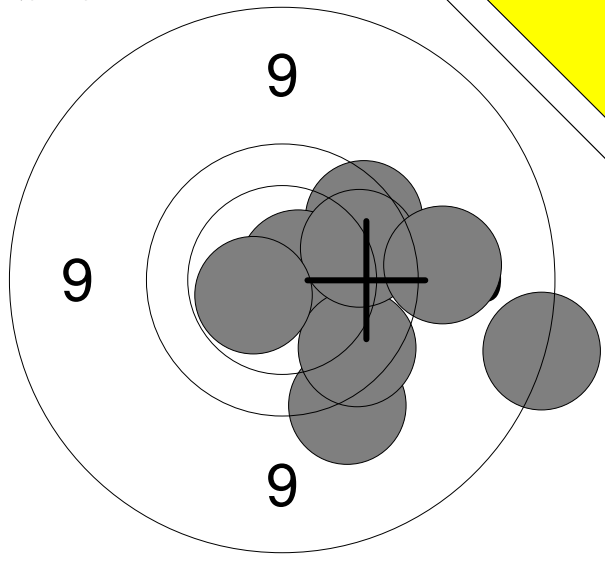
<p>20 Skud</p> 	<table style="width:100%; border-collapse: collapse;"> <tr><td style="width:5%;">11:</td><td style="width:15%;">10.3</td><td style="width:10%; text-align: right;">→</td></tr> <tr><td>12:</td><td>10.0</td><td style="text-align: right;">↓</td></tr> <tr><td>13:</td><td>10.2</td><td style="text-align: right;">↘</td></tr> <tr><td>14:</td><td>10.2</td><td style="text-align: right;">↗</td></tr> <tr><td>15:</td><td>10.1</td><td style="text-align: right;">↙</td></tr> <tr><td>16:</td><td>10.7x</td><td style="text-align: right;">→</td></tr> <tr><td>17:</td><td>10.3</td><td style="text-align: right;">↘</td></tr> <tr><td>18:</td><td>10.4</td><td style="text-align: right;">↙</td></tr> <tr><td>19:</td><td>10.0</td><td style="text-align: right;">→</td></tr> <tr><td>20:</td><td>10.3</td><td style="text-align: right;">↓</td></tr> <tr><td colspan="2">Serie</td><td style="text-align: right;">100</td></tr> <tr><td colspan="2">Total</td><td style="text-align: right;">199</td></tr> </table>	11:	10.3	→	12:	10.0	↓	13:	10.2	↘	14:	10.2	↗	15:	10.1	↙	16:	10.7x	→	17:	10.3	↘	18:	10.4	↙	19:	10.0	→	20:	10.3	↓	Serie		100	Total		199
11:	10.3	→																																			
12:	10.0	↓																																			
13:	10.2	↘																																			
14:	10.2	↗																																			
15:	10.1	↙																																			
16:	10.7x	→																																			
17:	10.3	↘																																			
18:	10.4	↙																																			
19:	10.0	→																																			
20:	10.3	↓																																			
Serie		100																																			
Total		199																																			

<p>Prøve</p> 	<table style="width:100%; border-collapse: collapse;"> <tr><td style="width:5%;">1:</td><td style="width:15%;">9.9</td><td style="width:10%; text-align: right;">←</td></tr> <tr><td>2:</td><td>10.2</td><td style="text-align: right;">↑</td></tr> <tr><td>3:</td><td>10.3</td><td style="text-align: right;">↓</td></tr> <tr><td>4:</td><td>9.7</td><td style="text-align: right;">←</td></tr> <tr><td>5:</td><td>10.0</td><td style="text-align: right;">→</td></tr> <tr><td>6:</td><td>10.2</td><td style="text-align: right;">↓</td></tr> <tr><td>7:</td><td>10.0</td><td style="text-align: right;">↓</td></tr> <tr><td>8:</td><td>9.9</td><td style="text-align: right;">←</td></tr> <tr><td>9:</td><td>10.8x</td><td style="text-align: right;">→</td></tr> <tr><td colspan="2">Serie</td><td style="text-align: right;">87</td></tr> <tr><td colspan="2">Total</td><td style="text-align: right;">0</td></tr> </table>	1:	9.9	←	2:	10.2	↑	3:	10.3	↓	4:	9.7	←	5:	10.0	→	6:	10.2	↓	7:	10.0	↓	8:	9.9	←	9:	10.8x	→	Serie		87	Total		0
1:	9.9	←																																
2:	10.2	↑																																
3:	10.3	↓																																
4:	9.7	←																																
5:	10.0	→																																
6:	10.2	↓																																
7:	10.0	↓																																
8:	9.9	←																																
9:	10.8x	→																																
Serie		87																																
Total		0																																

<p>20 Skud</p> 	<table style="width:100%; border-collapse: collapse;"> <tr><td style="width:5%;">1:</td><td style="width:15%;">10.1</td><td style="width:10%; text-align: right;">↓</td></tr> <tr><td>2:</td><td>10.2</td><td style="text-align: right;">↓</td></tr> <tr><td>3:</td><td>9.9</td><td style="text-align: right;">←</td></tr> <tr><td>4:</td><td>9.7</td><td style="text-align: right;">←</td></tr> <tr><td>5:</td><td>9.8</td><td style="text-align: right;">↑</td></tr> <tr><td>6:</td><td>9.8</td><td style="text-align: right;">↑</td></tr> <tr><td>7:</td><td>10.1</td><td style="text-align: right;">↓</td></tr> <tr><td>8:</td><td>10.3</td><td style="text-align: right;">←</td></tr> <tr><td>9:</td><td>10.2</td><td style="text-align: right;">↓</td></tr> <tr><td>10:</td><td>9.9</td><td style="text-align: right;">→</td></tr> <tr><td colspan="2">Serie</td><td style="text-align: right;">95</td></tr> <tr><td colspan="2">Total</td><td style="text-align: right;">95</td></tr> </table>	1:	10.1	↓	2:	10.2	↓	3:	9.9	←	4:	9.7	←	5:	9.8	↑	6:	9.8	↑	7:	10.1	↓	8:	10.3	←	9:	10.2	↓	10:	9.9	→	Serie		95	Total		95
1:	10.1	↓																																			
2:	10.2	↓																																			
3:	9.9	←																																			
4:	9.7	←																																			
5:	9.8	↑																																			
6:	9.8	↑																																			
7:	10.1	↓																																			
8:	10.3	←																																			
9:	10.2	↓																																			
10:	9.9	→																																			
Serie		95																																			
Total		95																																			

<p>20 Skud</p> 	<table style="width:100%; border-collapse: collapse;"> <tr><td style="width:5%;">11:</td><td style="width:15%;">10.6x</td><td style="width:10%; text-align: right;">↑</td></tr> <tr><td>12:</td><td>10.1</td><td style="text-align: right;">↓</td></tr> <tr><td>13:</td><td>10.0</td><td style="text-align: right;">→</td></tr> <tr><td>14:</td><td>8.8</td><td style="text-align: right;">↓</td></tr> <tr><td>15:</td><td>9.4</td><td style="text-align: right;">→</td></tr> <tr><td>16:</td><td>10.1</td><td style="text-align: right;">→</td></tr> <tr><td>17:</td><td>10.3</td><td style="text-align: right;">←</td></tr> <tr><td>18:</td><td>9.9</td><td style="text-align: right;">↓</td></tr> <tr><td>19:</td><td>9.8</td><td style="text-align: right;">→</td></tr> <tr><td>20:</td><td>10.4</td><td style="text-align: right;">↓</td></tr> <tr><td colspan="2">Serie</td><td style="text-align: right;">95</td></tr> <tr><td colspan="2">Total</td><td style="text-align: right;">190</td></tr> </table>	11:	10.6x	↑	12:	10.1	↓	13:	10.0	→	14:	8.8	↓	15:	9.4	→	16:	10.1	→	17:	10.3	←	18:	9.9	↓	19:	9.8	→	20:	10.4	↓	Serie		95	Total		190
11:	10.6x	↑																																			
12:	10.1	↓																																			
13:	10.0	→																																			
14:	8.8	↓																																			
15:	9.4	→																																			
16:	10.1	→																																			
17:	10.3	←																																			
18:	9.9	↓																																			
19:	9.8	→																																			
20:	10.4	↓																																			
Serie		95																																			
Total		190																																			

Prøve

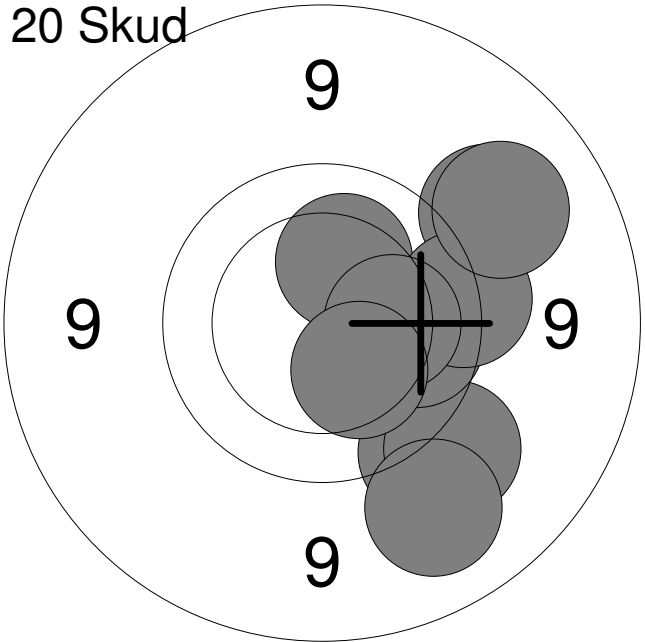


1:	9.5	↘
2:	9.8	↗
3:	10.7x	↗
4:	9.8	↘
5:	8.7	→
6:	9.9	↗
7:	9.3	→
8:	10.5x	↙

Serie **73**

Total **0**

20 Skud

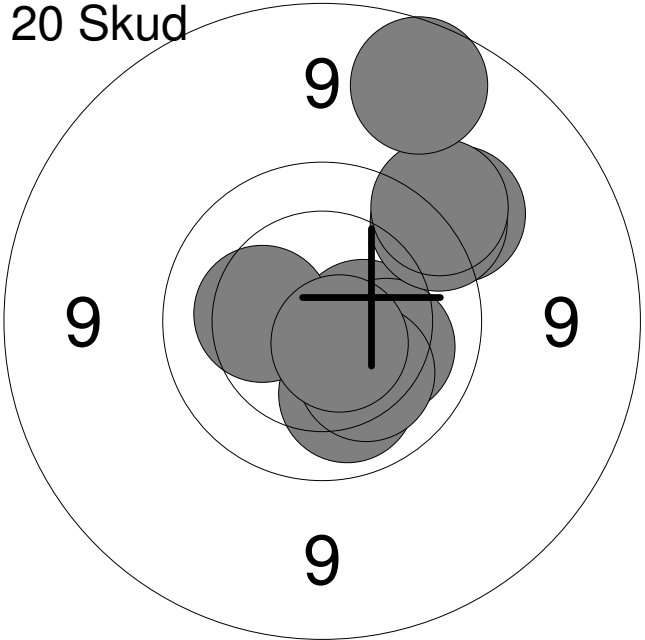


1:	9.5	↘
2:	9.4	↘
3:	9.3	↗
4:	9.2	↘
5:	10.2	↗
6:	9.9	→
7:	9.6	→
8:	10.2	→
9:	9.2	↗
10:	10.3	↘

Serie **93**

Total **93**

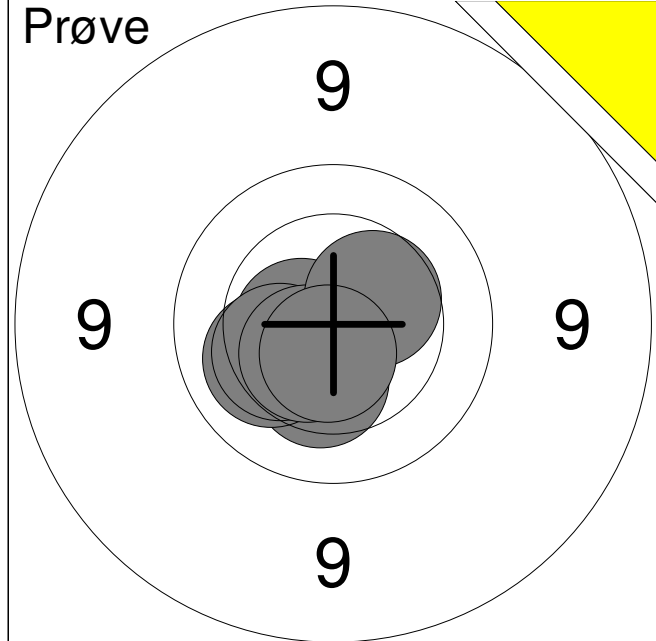
20 Skud



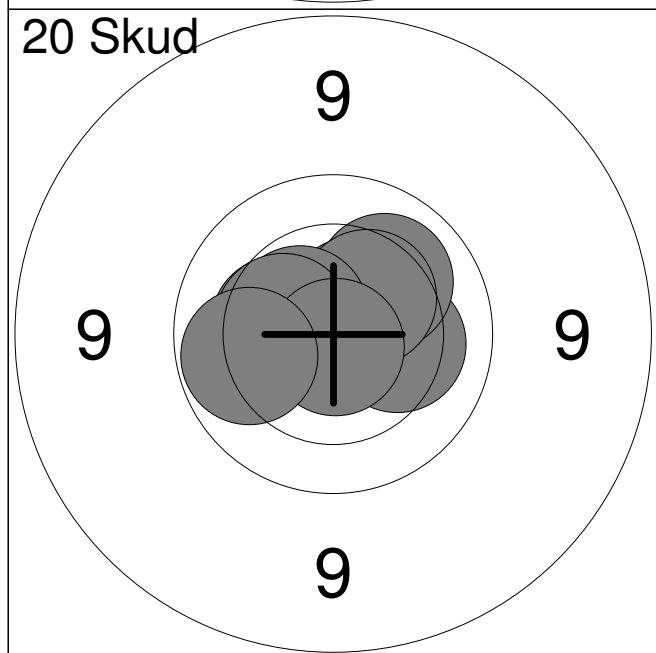
11:	10.5x	→
12:	9.4	↗
13:	10.2	↘
14:	9.6	↗
15:	10.1	↘
16:	9.5	↗
17:	10.2	↘
18:	8.9	↗
19:	10.3	↙
20:	10.6x	↘

Serie **95**

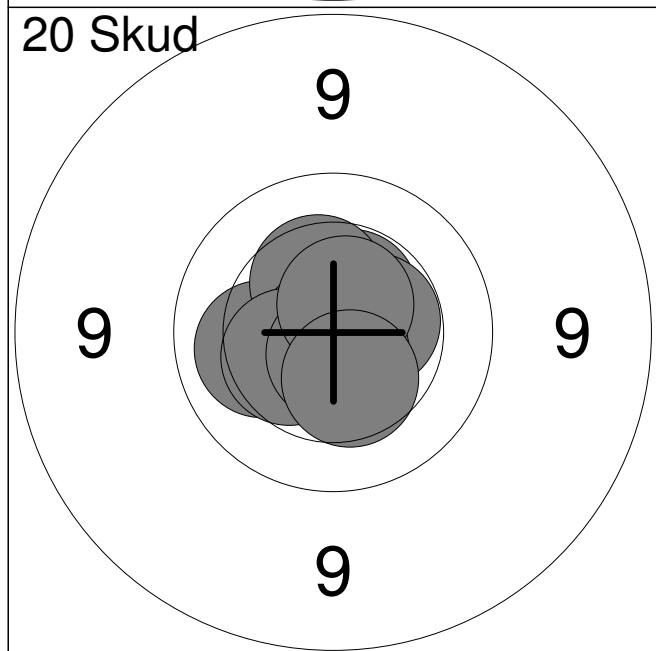
Total **188**



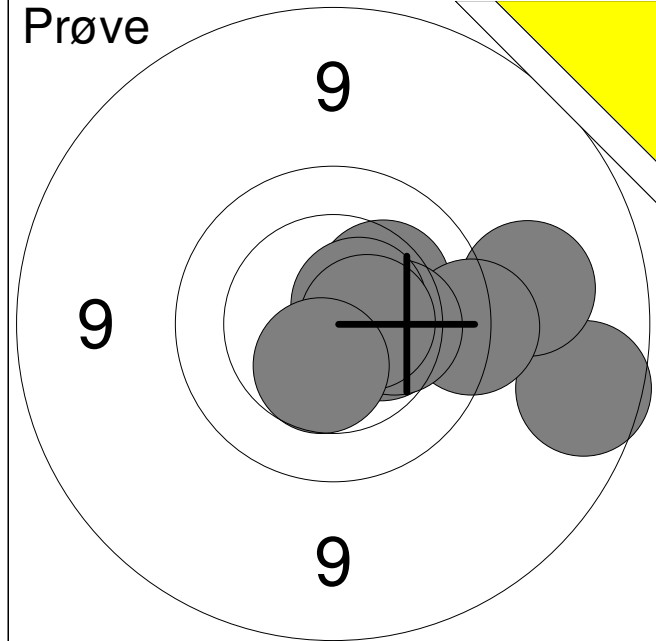
1:	10.6x	←
2:	10.3	↓
3:	10.2	←
4:	10.3	←
5:	10.5x	↙
6:	10.4	↗
7:	10.6x	↓
Serie		70
Total		0



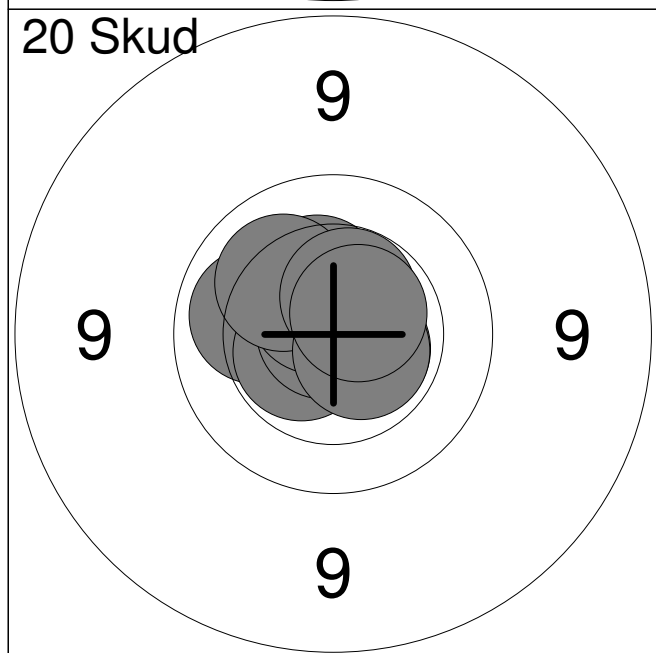
1:	10.7x	↗
2:	10.6x	↗
3:	10.2	→
4:	10.1	↗
5:	10.4	←
6:	10.4	↗
7:	10.5x	↖
8:	10.4	←
9:	10.8x	↓
10:	10.0	←
Serie		100
Total		100



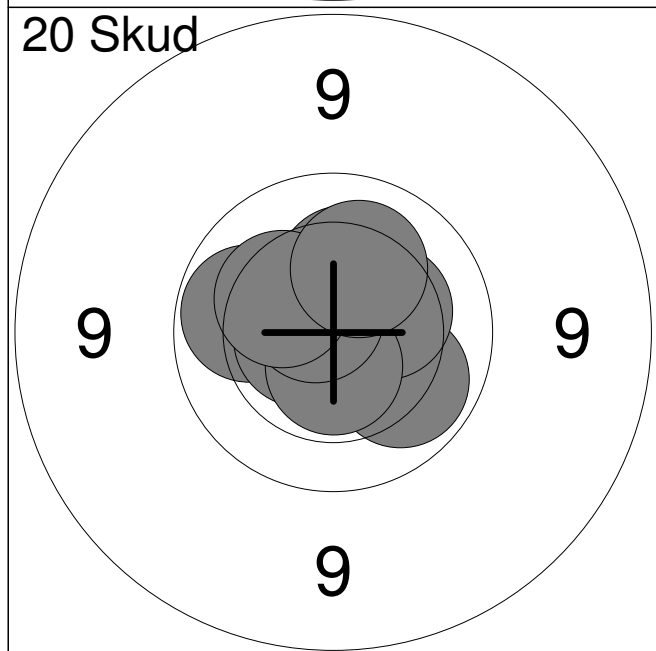
11:	10.2	←
12:	10.5x	↗
13:	10.4	↗
14:	10.5x	→
15:	10.9x	←
16:	10.7x	↓
17:	10.4	←
18:	10.7x	↓
19:	10.6x	↗
20:	10.4	↓
Serie		100
Total		200



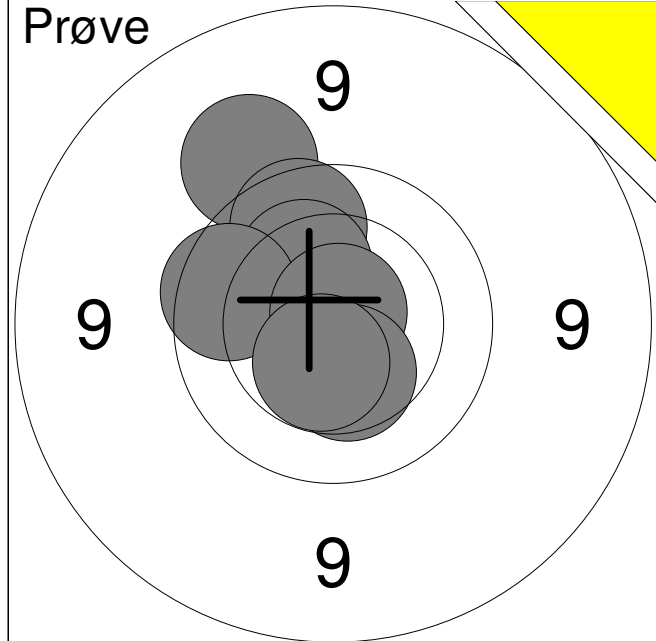
1:	10.3	↗
2:	8.9	→
3:	9.3	→
4:	10.4	→
5:	9.6	→
6:	10.3	→
7:	10.6x	↗
8:	10.6x	→
9:	10.5	↓
Serie		86
Total		0



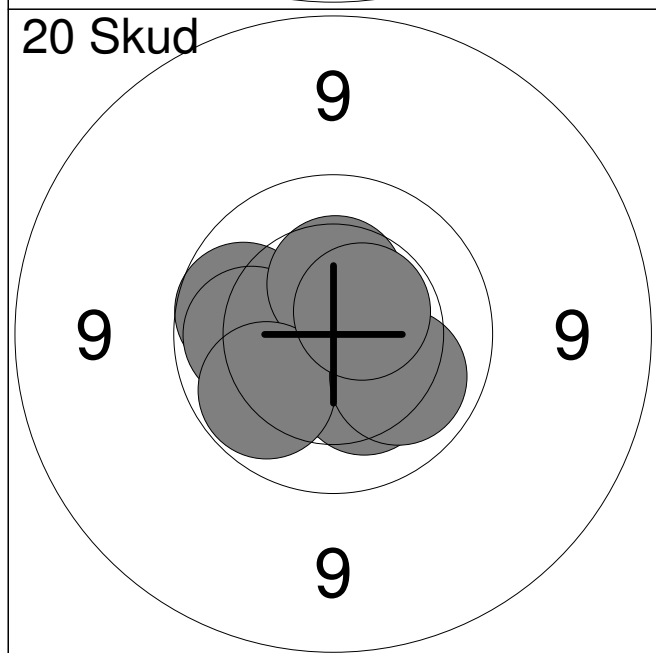
1:	10.1	←
2:	10.6x	↘
3:	10.4	↑
4:	10.5x	←
5:	10.8x	↖
6:	10.6x	↗
7:	10.2	↗
8:	10.5x	↑
9:	10.6x	↘
10:	10.6x	↗
Serie		100
Total		100



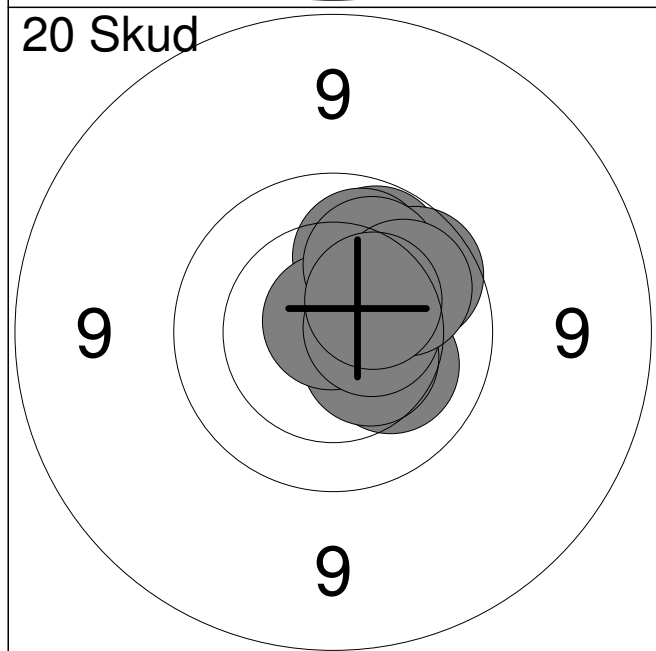
11:	10.3	↑
12:	10.0	←
13:	10.0	↘
14:	10.7x	→
15:	10.3	→
16:	10.6x	←
17:	10.6x	↓
18:	10.7x	↗
19:	10.3	↖
20:	10.2	↑
Serie		100
Total		200



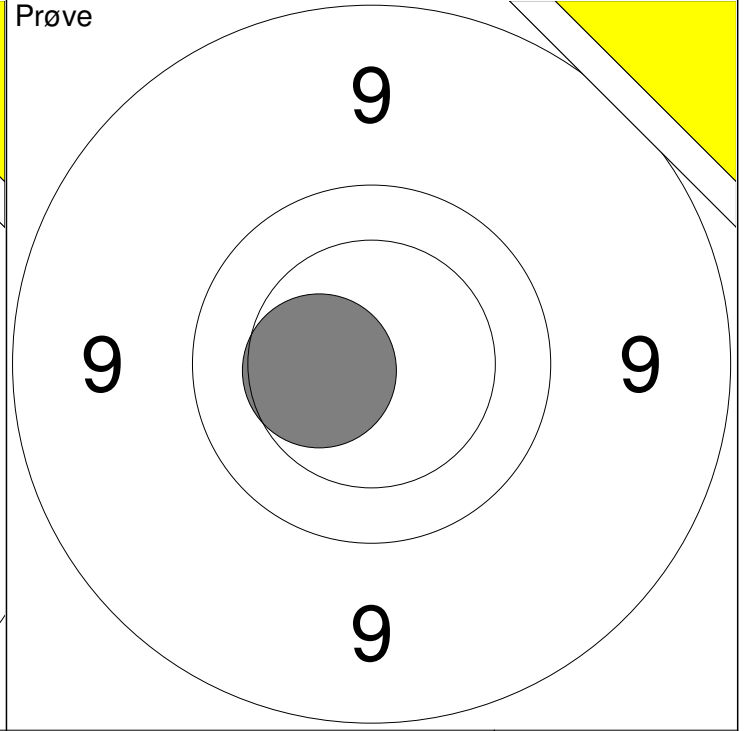
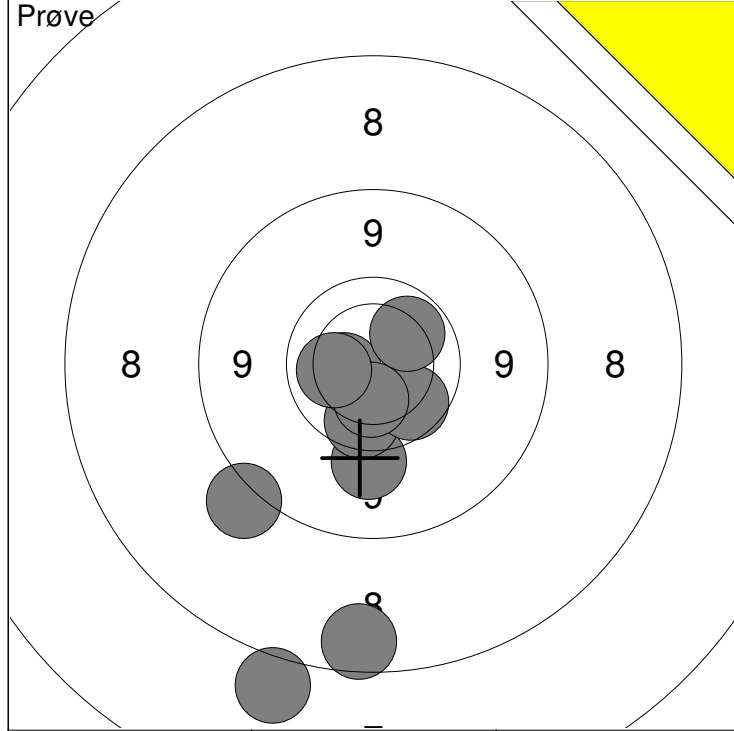
1:	9.4	↗
2:	9.9	↗
3:	10.3	↗
4:	9.8	↖
5:	10.8x	↗
6:	10.4	↘
7:	10.5x	↘
Serie		67
Total		0



1:	10.7x	←
2:	9.9	←
3:	10.8x	↑
4:	10.5	↘
5:	10.0	←
6:	10.3	↘
7:	10.4	↑
8:	10.0	↖
9:	10.1	↘
10:	10.5x	↗
Serie		99
Total		99

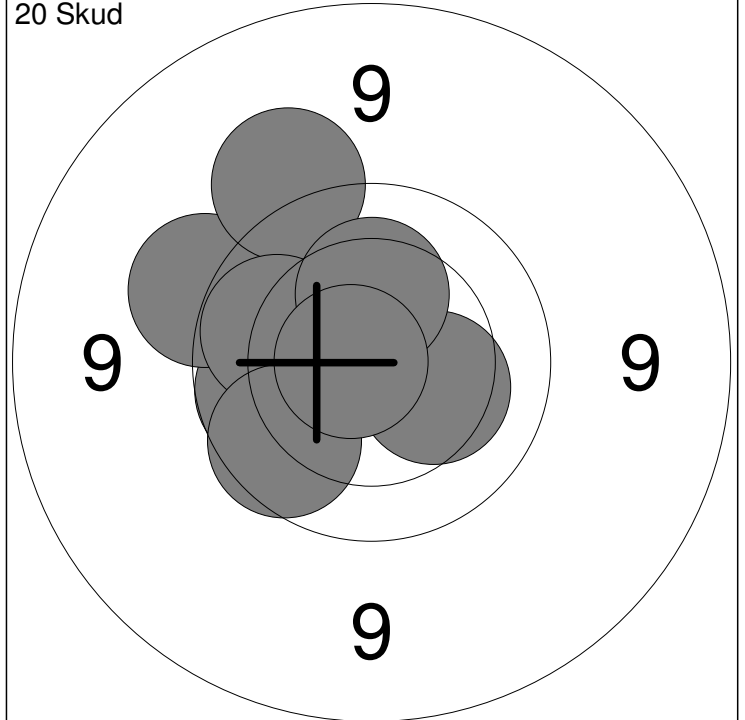
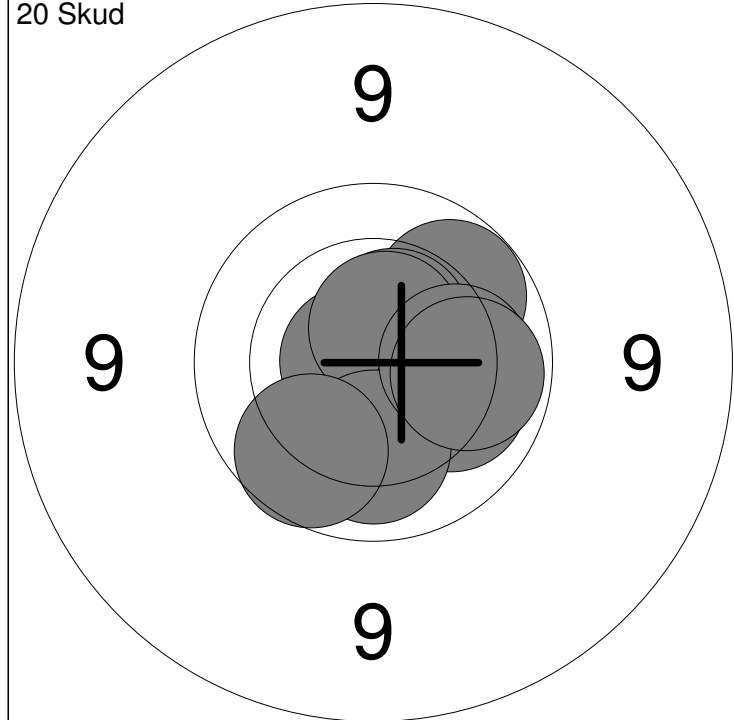


11:	10.0	↗
12:	10.2	↘
13:	10.5	↘
14:	10.1	↑
15:	10.8x	↑
16:	9.9	↗
17:	10.1	↗
18:	10.5x	→
19:	10.0	↗
20:	10.4	↗
Serie		99
Total		198



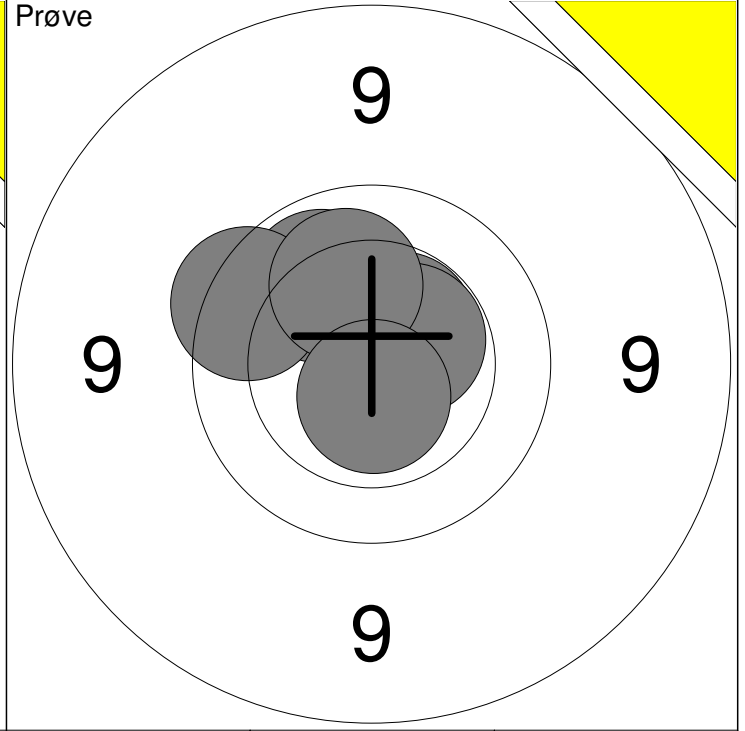
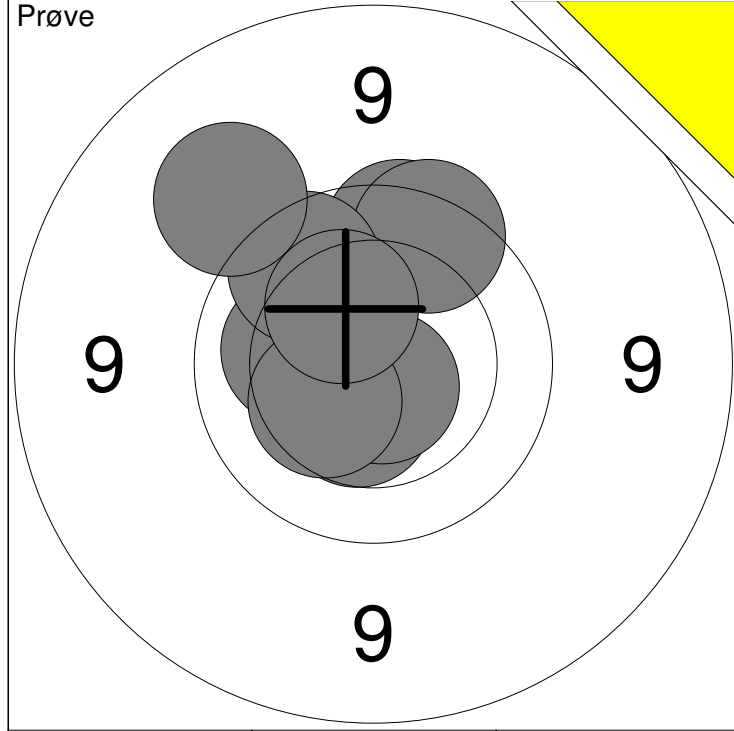
1: 7.5 ↓	6: 10.3 ←	Serie 89
2: 7.9 ↓	7: 9.9 ↘	
3: 8.6 ↙	8: 10.2 ↓	Total 0
4: 9.4 ↓	9: 10.2 ←	
5: 9.9 ↓	10: 10.0 ↗	

11: 10.4 ←	Serie 10
	Total 0



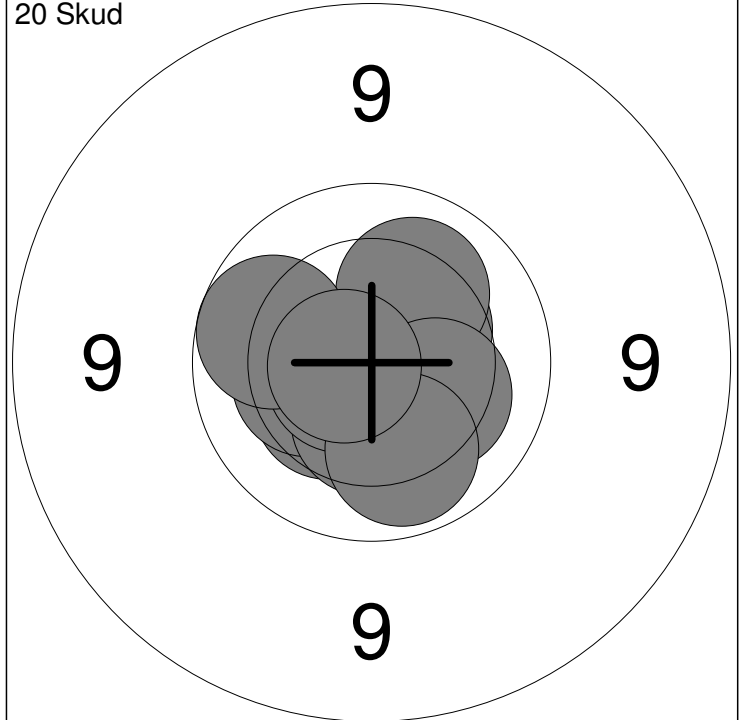
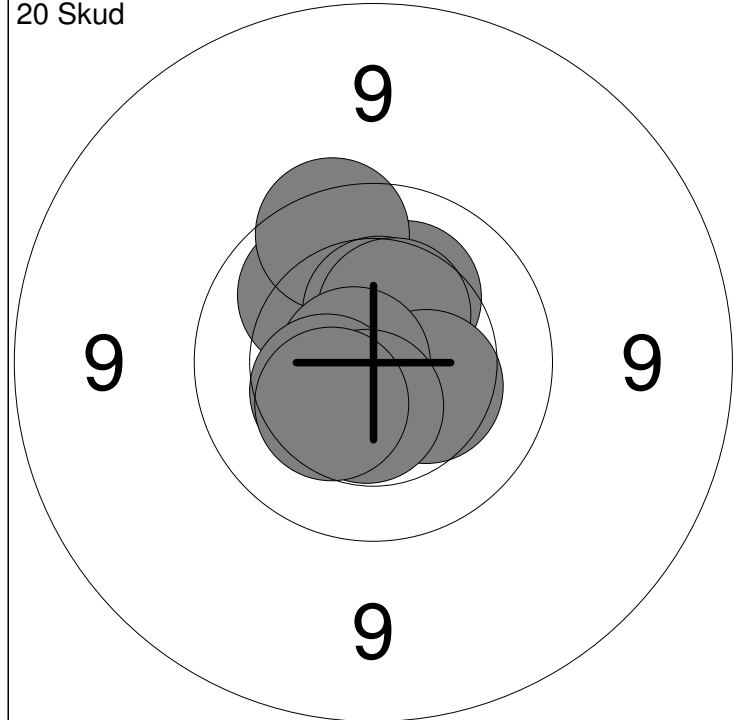
1: 10.5x ↓	6: 10.1 →	Serie 99
2: 10.0 ↗	7: 10.1 ↓	
3: 10.8x ←	8: 10.1 →	Total 99
4: 10.5x ↗	9: 9.9 ↘	
5: 10.6x ↗	10: 10.0 →	

11: 9.9 ←	16: 10.3 ←	Serie 96
12: 9.5 ↙	17: 10.0 ←	
13: 10.6x ↗	18: 9.9 ↘	Total 195
14: 10.3 →	19: 10.3 ↑	
15: 9.4 ↗	20: 10.8x ←	



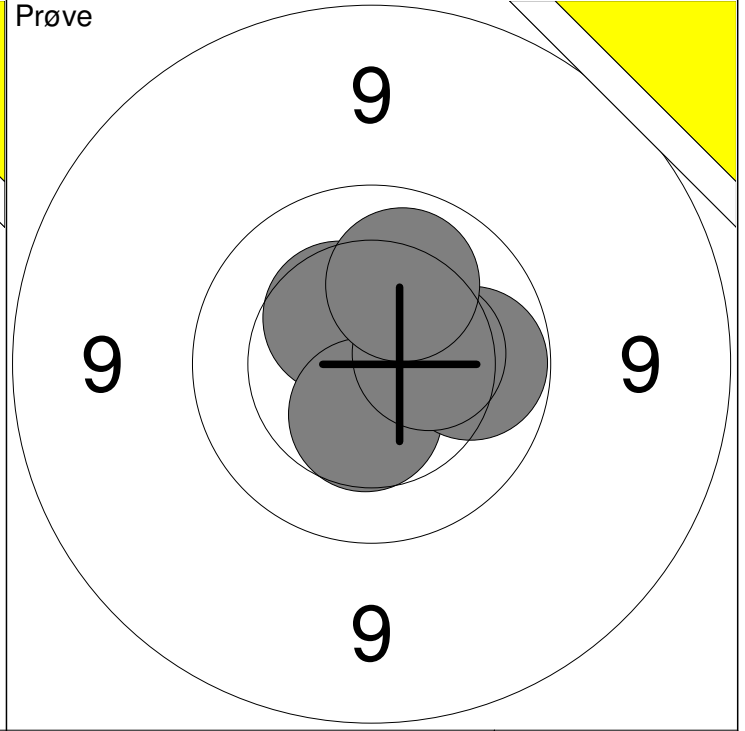
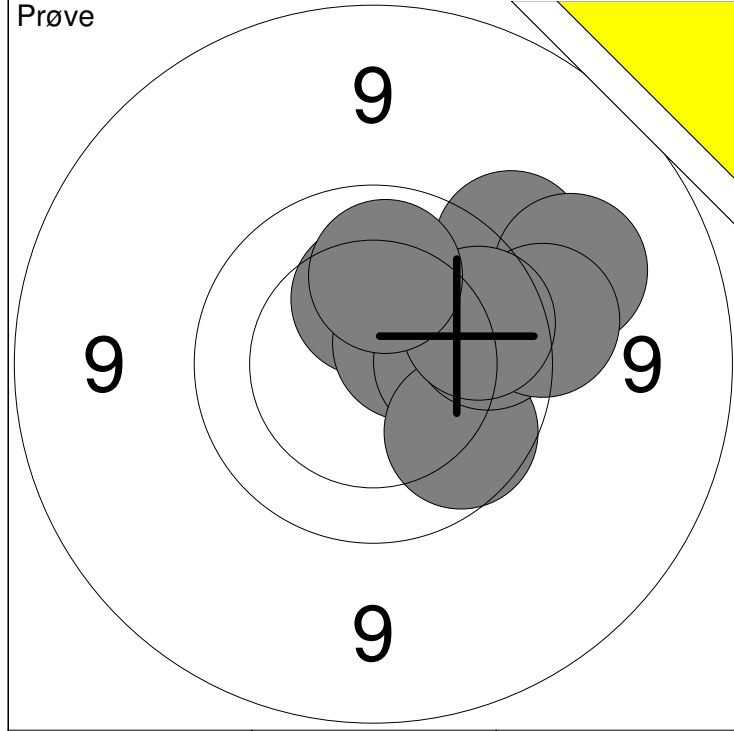
1: 10.0 ↗	6: 10.2 ←	Serie	96
2: 10.5 ↓	7: 9.9 ↗		
3: 9.8 ↑	8: 10.4 ↙	Total	0
4: 10.7x ↓	9: 10.3 ↗		
5: 9.7 ↗	10: 9.3 ↗		

11: 10.5x ↗	16: 10.6x ↓	Serie	59
12: 10.0 ↗			
13: 10.5x ↗		Total	0
14: 9.7 ↙			
15: 10.1 ↗			



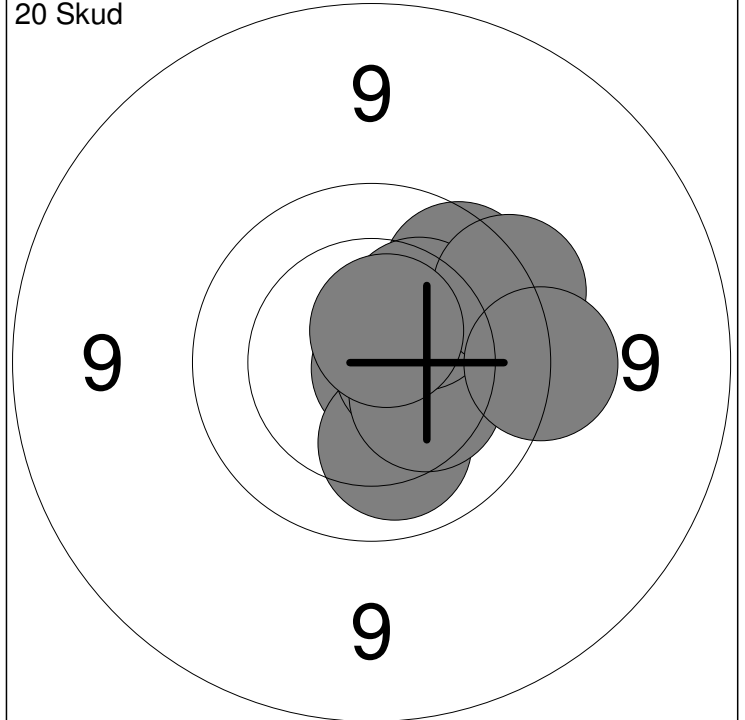
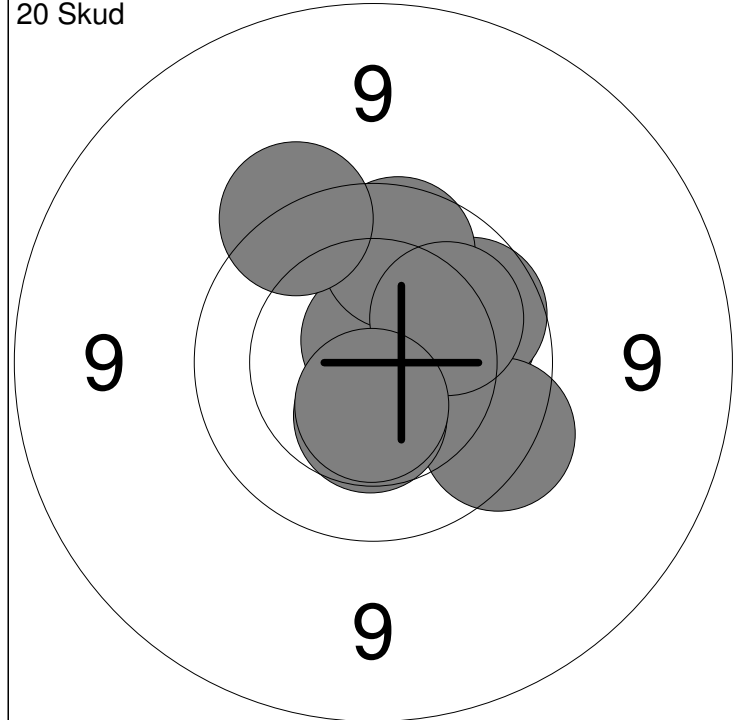
1: 10.1 ↗	6: 10.4 →	Serie	99
2: 10.2 ↗	7: 10.8x ←		
3: 9.8 ↗	8: 10.4 ↙	Total	99
4: 10.5 ↑	9: 10.5x ↓		
5: 10.4 ↗	10: 10.4 ↙		

11: 10.4 ↙	16: 10.6x ←	Serie	99
12: 10.3 ←	17: 10.3 →		
13: 10.4 ↗	18: 9.9 ←	Total	198
14: 10.2 ↗	19: 10.0 ↓		
15: 10.4 ↓	20: 10.7x ←		



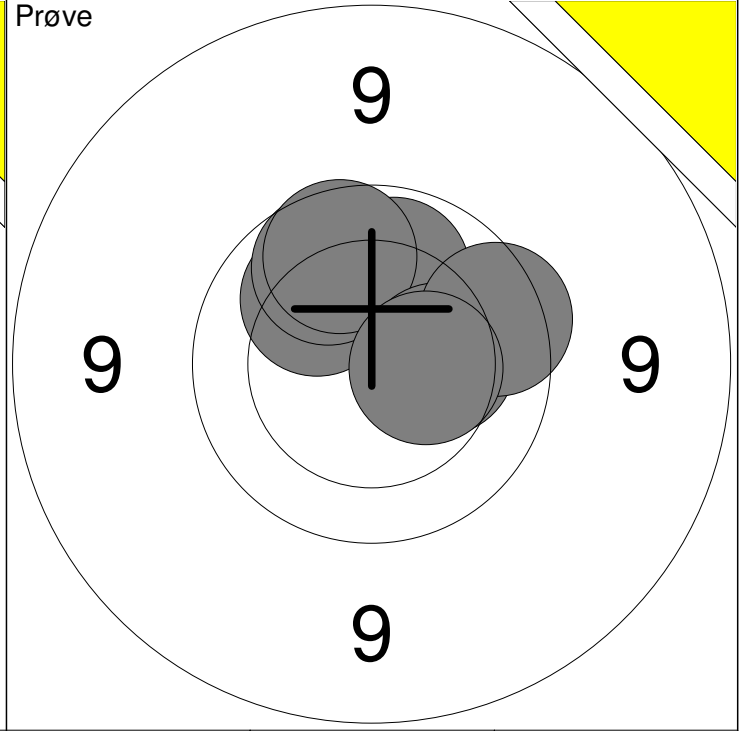
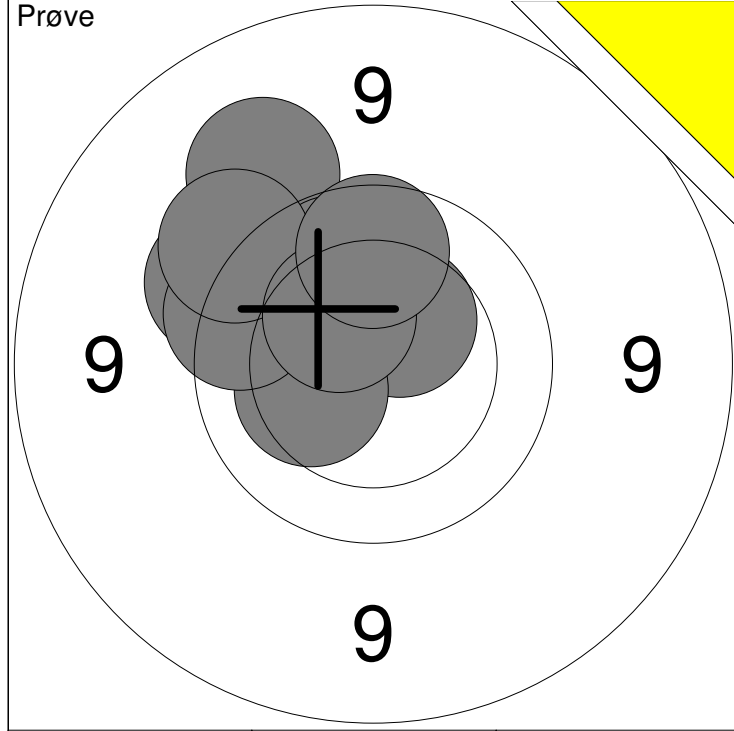
1: 10.3 ↑	6: 9.9 ↘	Serie	94
2: 9.5 ↗	7: 9.9 →		
3: 10.5x ↗	8: 9.5 →	Total	0
4: 9.3 ↗	9: 9.9 →		
5: 10.2 →	10: 10.1 ↑		

11: 10.4 ↖	Serie	50
12: 10.4 ↓		
13: 10.0 →	Total	0
14: 10.4 →		
15: 10.1 ↑		



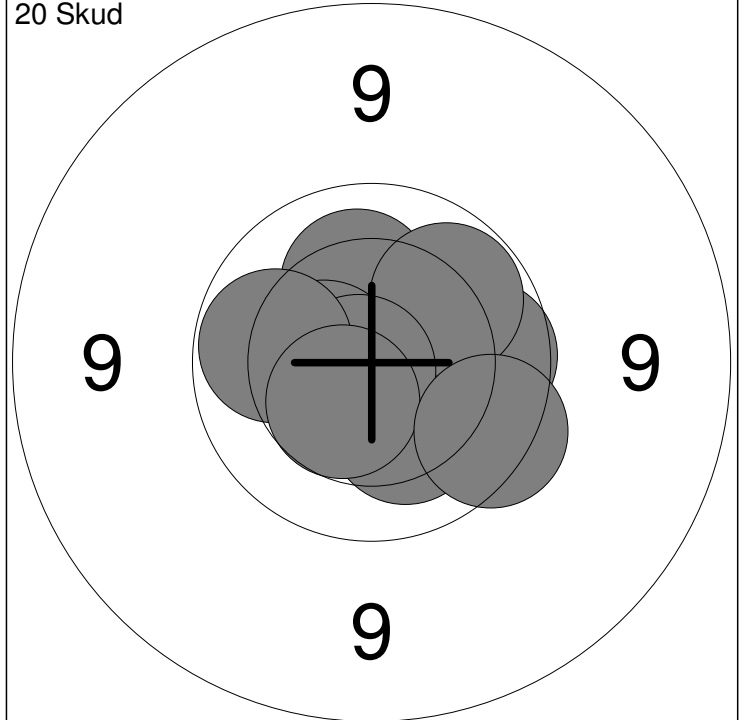
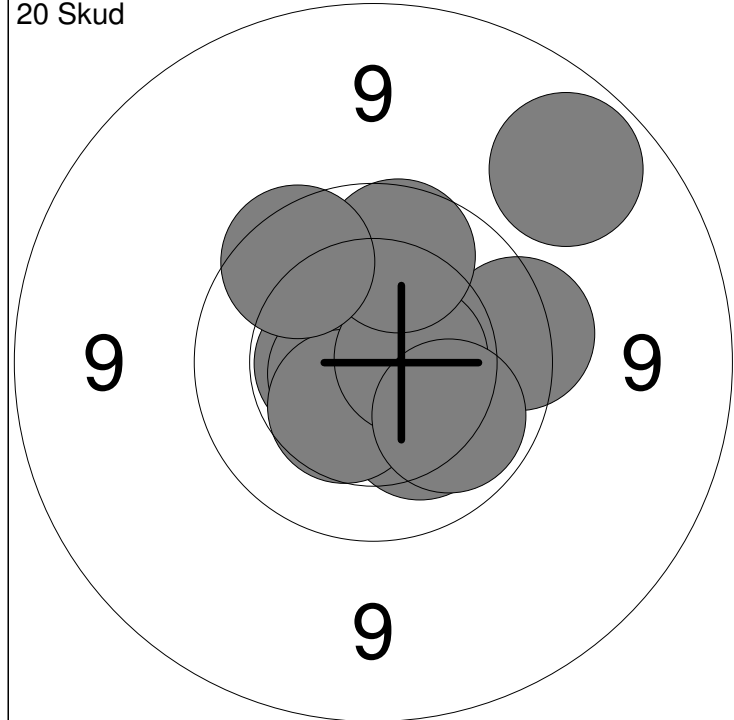
1: 10.1 →	6: 10.4 ↓	Serie	96
2: 10.5 →	7: 9.9 ↑		
3: 9.9 ↗	8: 9.6 ↖	Total	96
4: 10.7x ↑	9: 10.1 ↗		
5: 9.7 ↘	10: 10.5x ↓		

11: 10.5x →	16: 10.3 ↘	Serie	97
12: 10.8x →	17: 10.3 ↗		
13: 9.8 ↗	18: 9.7 ↗	Total	193
14: 10.1 ↓	19: 9.6 →		
15: 10.6x →	20: 10.6x ↑		



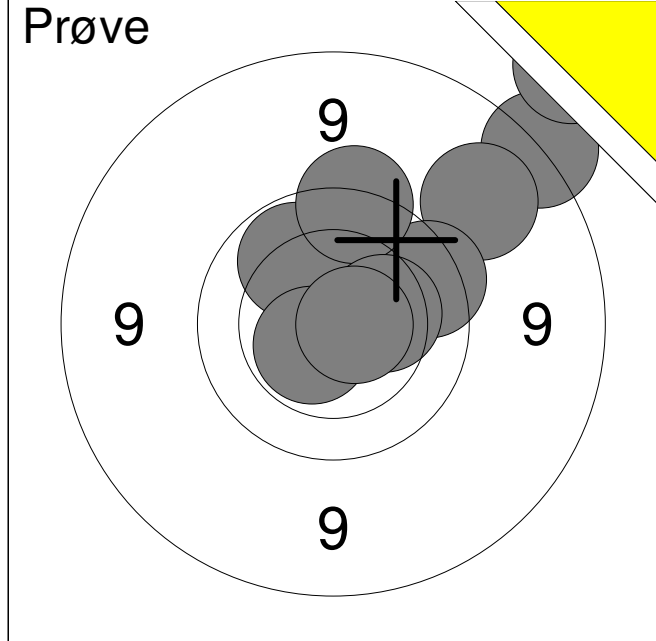
1: 9.6 ↖	6: 10.3 ←	Serie 94
2: 9.7 ↗	7: 9.7 ←	
3: 9.3 ↗	8: 9.5 ↖	Total 0
4: 10.4 ↗	9: 10.4 ↗	
5: 10.0 ↗	10: 9.9 ↑	

11: 10.1 ↑	16: 10.3 →	Serie 77
12: 10.1 ↖	17: 9.8 →	
13: 10.0 ↑	18: 10.4 →	Total 0
14: 9.9 ↗		
15: 9.9 ↗		

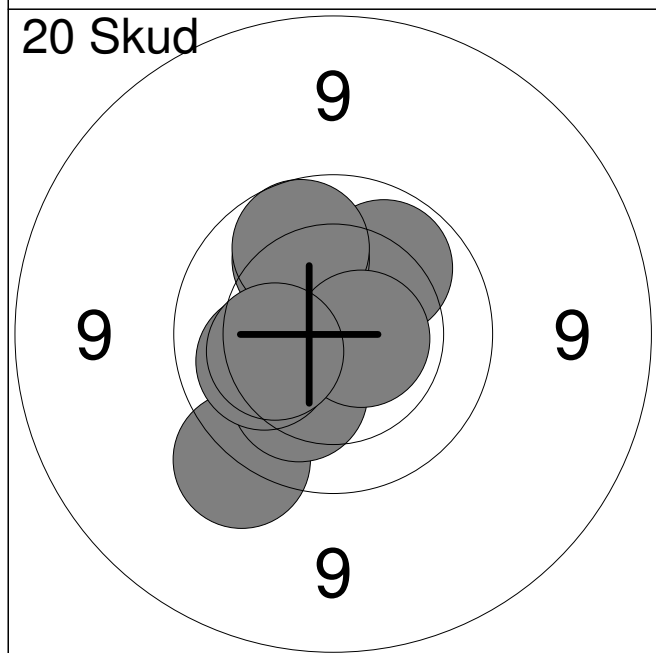


1: 9.7 →	6: 9.0 ↗	Serie 96
2: 10.5x ←	7: 10.6x →	
3: 10.7x ←	8: 9.9 ↑	Total 96
4: 10.2 ↓	9: 10.0 ↓	
5: 10.4 ↘	10: 9.8 ↗	

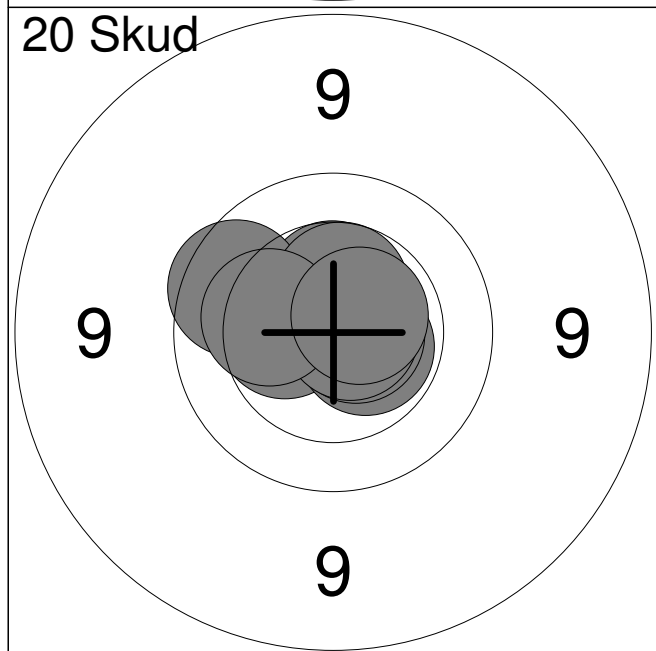
11: 10.2 ↓	16: 10.6x ←	Serie 98
12: 10.2 ↑	17: 10.8x ←	
13: 10.5 ←	18: 10.0 ←	Total 194
14: 9.9 →	19: 10.5 ↓	
15: 10.0 ↗	20: 9.8 ↘	



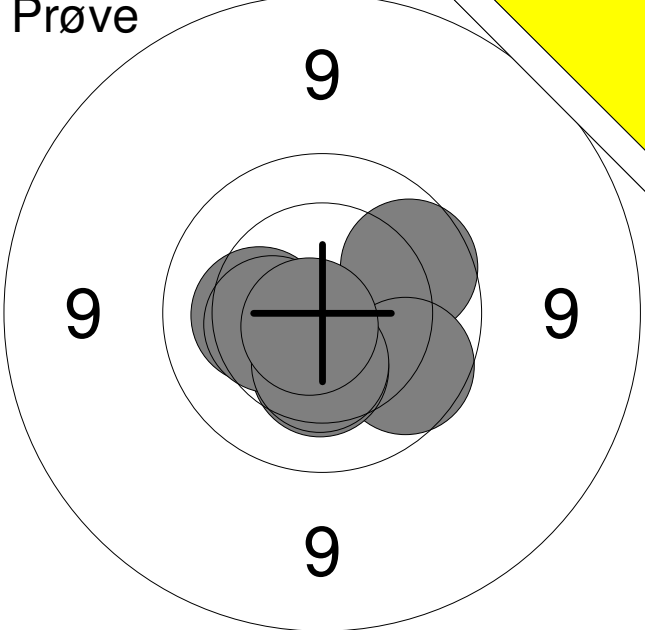
1:	8.7	↗
2:	8.3	↗
3:	9.1	↗
4:	9.8	→
5:	10.0	↖
6:	9.6	↑
7:	10.3	→
8:	10.6x	↙
9:	10.7x	→
Serie		83
Total		0

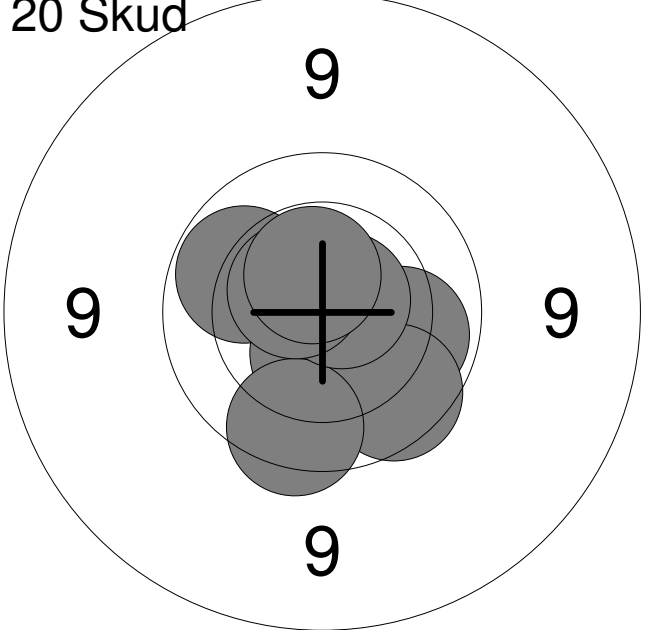


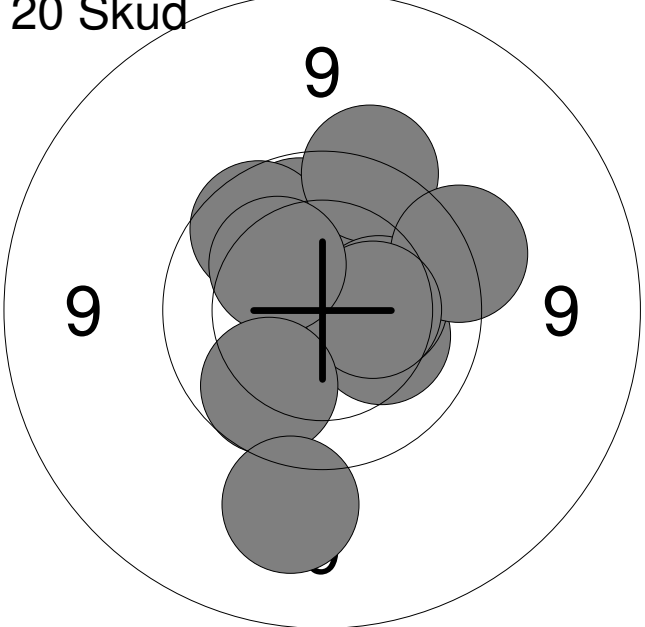
1:	10.6x	↖
2:	10.0	↗
3:	10.1	↖
4:	9.5	↙
5:	10.2	↙
6:	10.6x	←
7:	9.9	↖
8:	10.6x	→
9:	10.1	←
10:	10.3	←
Serie		98
Total		98



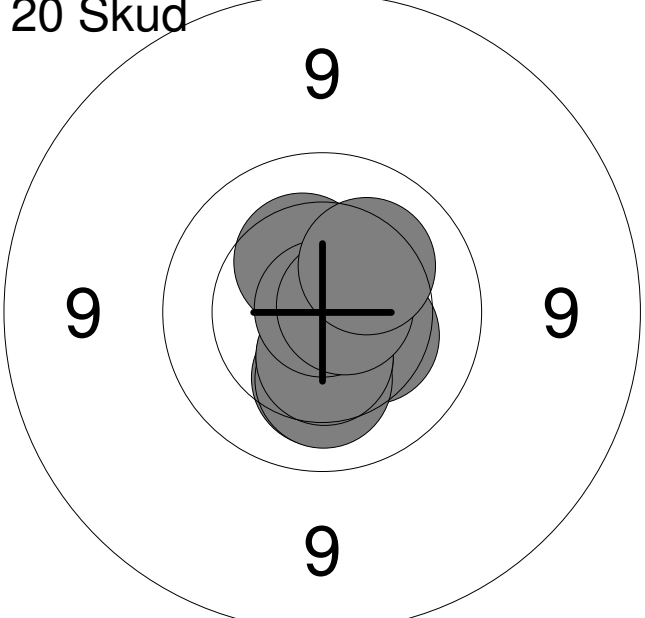
11:	10.5	↑
12:	9.9	↖
13:	10.4	←
14:	10.5	↑
15:	10.6x	↘
16:	10.7x	→
17:	10.7x	→
18:	10.8x	→
19:	10.2	←
20:	10.6x	↗
Serie		99
Total		197

Prøve 	1:	9.9	➔
	2:	10.3	➔
	3:	9.9	➔
	4:	10.3	↓
	5:	10.4	➔
	6:	10.4	↓
	7:	10.7x	↙
	Serie		68
Total		0	

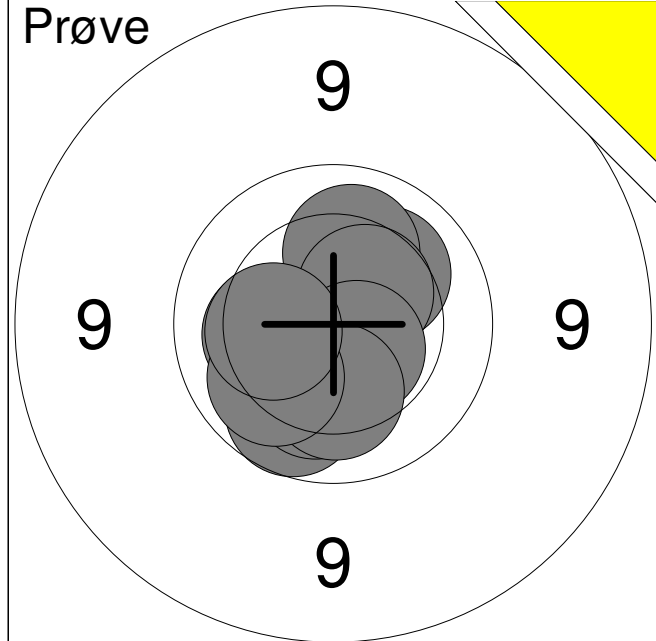
20 Skud 	1:	10.7x	➔
	2:	10.7x	↓
	3:	10.5x	↓
	4:	10.0	➔
	5:	10.1	➔
	6:	9.8	↓
	7:	9.8	↓
	8:	10.7x	➔
	9:	10.6x	➔
	10:	10.5x	↑
Serie		98	
Total		98	

20 Skud 	11:	10.2	➔
	12:	10.0	↑
	13:	9.9	➔
	14:	9.6	↑
	15:	10.3	➔
	16:	9.6	➔
	17:	10.4	➔
	18:	10.3	➔
	19:	9.9	↓
	20:	9.3	↓
Serie		95	
Total		193	

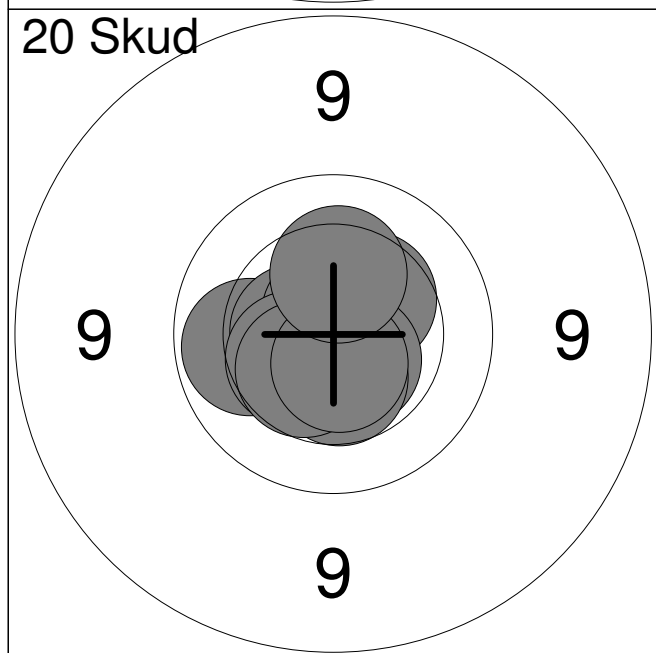
<p>Prøve</p> 	<table style="width:100%; border-collapse: collapse;"> <tr><td style="width:10%;">1:</td><td style="width:70%;">10.1</td><td style="width:20%; text-align: right;">→</td></tr> <tr><td>2:</td><td>10.0</td><td style="text-align: right;">↘</td></tr> <tr><td>3:</td><td>10.4</td><td style="text-align: right;">→</td></tr> <tr><td>4:</td><td>10.1</td><td style="text-align: right;">↘</td></tr> <tr><td>5:</td><td>10.4</td><td style="text-align: right;">↘</td></tr> <tr><td>6:</td><td>10.4</td><td style="text-align: right;">↘</td></tr> <tr><td colspan="2">Serie</td><td style="text-align: right;">60</td></tr> <tr><td colspan="2">Total</td><td style="text-align: right;">0</td></tr> </table>	1:	10.1	→	2:	10.0	↘	3:	10.4	→	4:	10.1	↘	5:	10.4	↘	6:	10.4	↘	Serie		60	Total		0
1:	10.1	→																							
2:	10.0	↘																							
3:	10.4	→																							
4:	10.1	↘																							
5:	10.4	↘																							
6:	10.4	↘																							
Serie		60																							
Total		0																							

<p>20 Skud</p> 	<table style="width:100%; border-collapse: collapse;"> <tr><td style="width:10%;">1:</td><td style="width:70%;">10.2</td><td style="width:20%; text-align: right;">↓</td></tr> <tr><td>2:</td><td>10.4</td><td style="text-align: right;">↑</td></tr> <tr><td>3:</td><td>10.4</td><td style="text-align: right;">↓</td></tr> <tr><td>4:</td><td>10.4</td><td style="text-align: right;">↘</td></tr> <tr><td>5:</td><td>10.4</td><td style="text-align: right;">↓</td></tr> <tr><td>6:</td><td>10.2</td><td style="text-align: right;">↓</td></tr> <tr><td>7:</td><td>10.5</td><td style="text-align: right;">↓</td></tr> <tr><td>8:</td><td>10.9x</td><td style="text-align: right;">↑</td></tr> <tr><td>9:</td><td>10.7x</td><td style="text-align: right;">→</td></tr> <tr><td>10:</td><td>10.2</td><td style="text-align: right;">↗</td></tr> <tr><td colspan="2">Serie</td><td style="text-align: right;">100</td></tr> <tr><td colspan="2">Total</td><td style="text-align: right;">100</td></tr> </table>	1:	10.2	↓	2:	10.4	↑	3:	10.4	↓	4:	10.4	↘	5:	10.4	↓	6:	10.2	↓	7:	10.5	↓	8:	10.9x	↑	9:	10.7x	→	10:	10.2	↗	Serie		100	Total		100
1:	10.2	↓																																			
2:	10.4	↑																																			
3:	10.4	↓																																			
4:	10.4	↘																																			
5:	10.4	↓																																			
6:	10.2	↓																																			
7:	10.5	↓																																			
8:	10.9x	↑																																			
9:	10.7x	→																																			
10:	10.2	↗																																			
Serie		100																																			
Total		100																																			

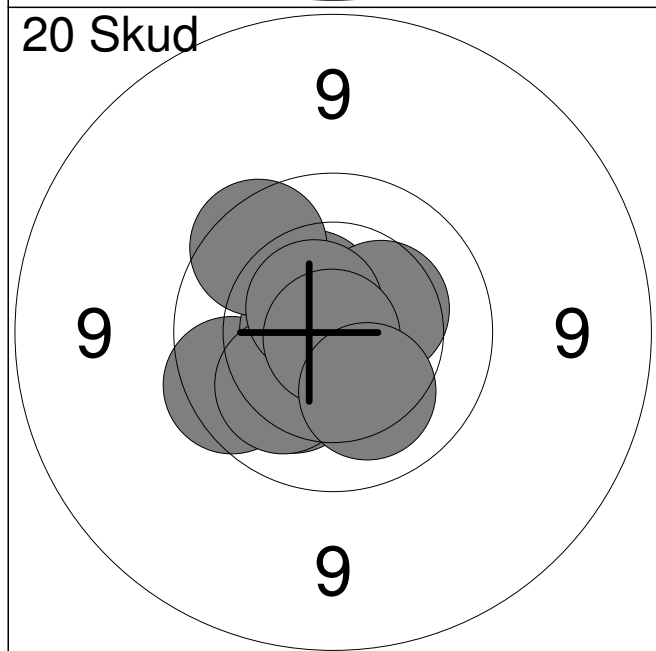
<p>20 Skud</p> 	<table style="width:100%; border-collapse: collapse;"> <tr><td style="width:10%;">11:</td><td style="width:70%;">10.5</td><td style="width:20%; text-align: right;">↓</td></tr> <tr><td>12:</td><td>10.7x</td><td style="text-align: right;">↓</td></tr> <tr><td>13:</td><td>10.5x</td><td style="text-align: right;">↘</td></tr> <tr><td>14:</td><td>10.4</td><td style="text-align: right;">↙</td></tr> <tr><td>15:</td><td>10.4</td><td style="text-align: right;">↘</td></tr> <tr><td>16:</td><td>10.1</td><td style="text-align: right;">→</td></tr> <tr><td>17:</td><td>10.7x</td><td style="text-align: right;">↘</td></tr> <tr><td>18:</td><td>10.5</td><td style="text-align: right;">↗</td></tr> <tr><td>19:</td><td>10.7x</td><td style="text-align: right;">↗</td></tr> <tr><td>20:</td><td>9.8</td><td style="text-align: right;">→</td></tr> <tr><td colspan="2">Serie</td><td style="text-align: right;">99</td></tr> <tr><td colspan="2">Total</td><td style="text-align: right;">199</td></tr> </table>	11:	10.5	↓	12:	10.7x	↓	13:	10.5x	↘	14:	10.4	↙	15:	10.4	↘	16:	10.1	→	17:	10.7x	↘	18:	10.5	↗	19:	10.7x	↗	20:	9.8	→	Serie		99	Total		199
11:	10.5	↓																																			
12:	10.7x	↓																																			
13:	10.5x	↘																																			
14:	10.4	↙																																			
15:	10.4	↘																																			
16:	10.1	→																																			
17:	10.7x	↘																																			
18:	10.5	↗																																			
19:	10.7x	↗																																			
20:	9.8	→																																			
Serie		99																																			
Total		199																																			



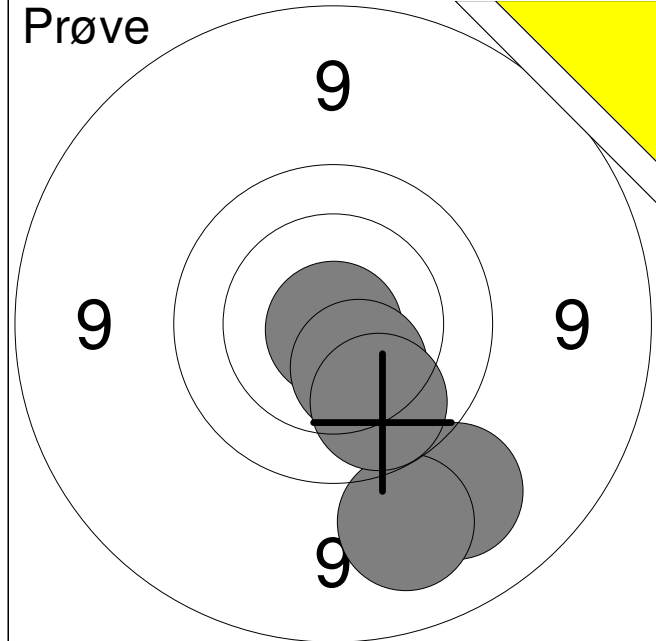
1:	10.2	↗
2:	10.1	↑
3:	10.2	←
4:	10.5	↗
5:	10.6x	↘
6:	9.9	↓
7:	10.2	↓
8:	10.2	↓
9:	10.1	↙
10:	10.3	←
Serie		99
Total		0



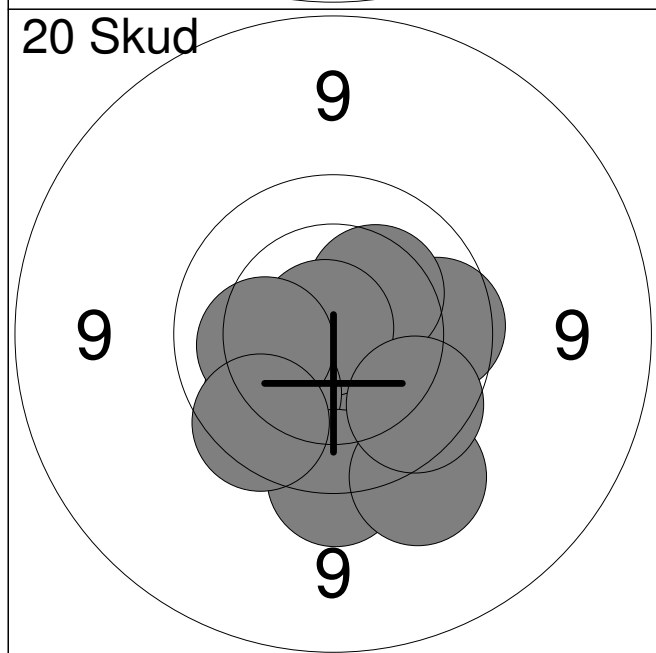
1:	10.0	←
2:	10.6x	←
3:	10.7x	↑
4:	10.4	↗
5:	10.6x	↘
6:	10.5	↓
7:	10.4	↙
8:	10.4	↙
9:	10.6x	↓
10:	10.3	↑
Serie		100
Total		100



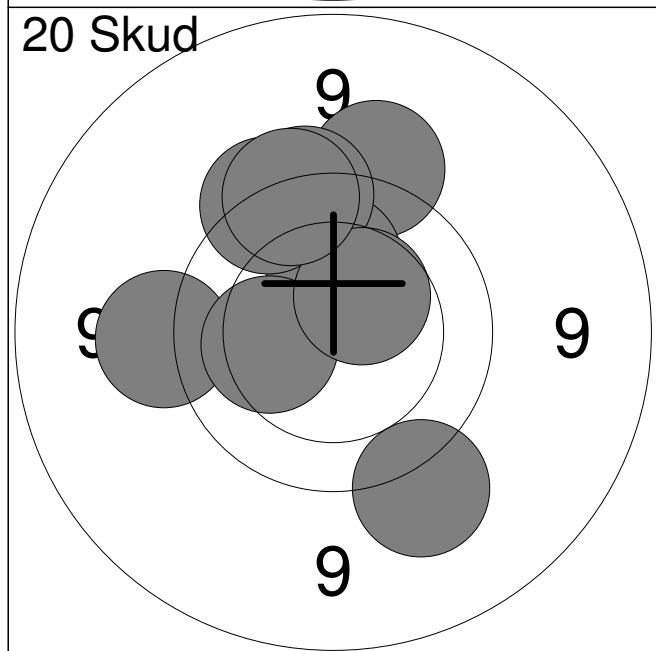
11:	10.2	↘
12:	9.8	←
13:	10.5x	↗
14:	10.7x	←
15:	10.4	↗
16:	9.8	↗
17:	10.1	↙
18:	10.6x	↗
19:	10.9x	↓
20:	10.2	↓
Serie		98
Total		198



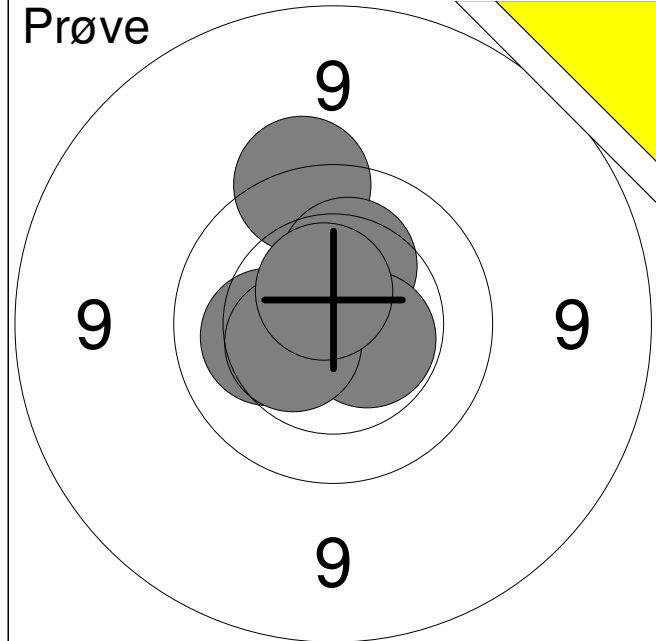
1:	10.9x	↓
2:	9.2	↓
3:	10.4	↓
4:	9.2	↓
5:	10.0	↓
Serie		48
Total		0



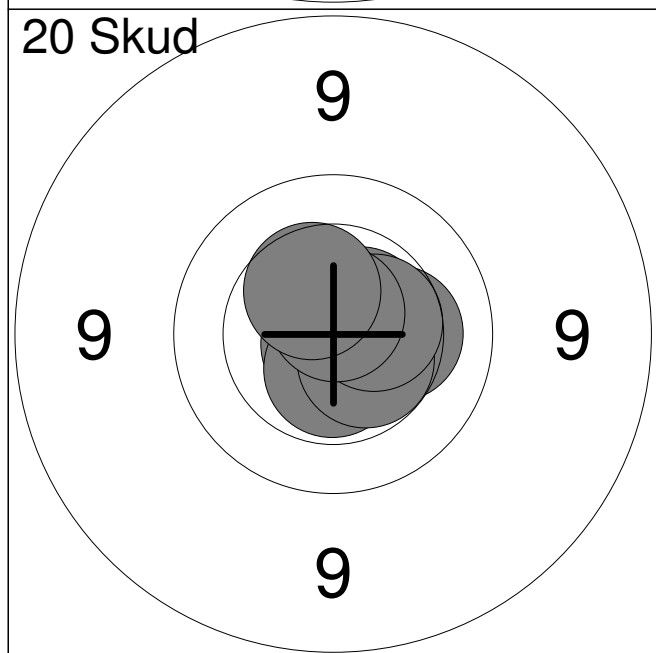
1:	9.9	↓
2:	9.9	→
3:	10.3	↗
4:	10.8x	↗
5:	10.0	↓
6:	9.6	↓
7:	9.5	↓
8:	10.2	←
9:	9.8	↓
10:	9.8	↓
Serie		94
Total		94



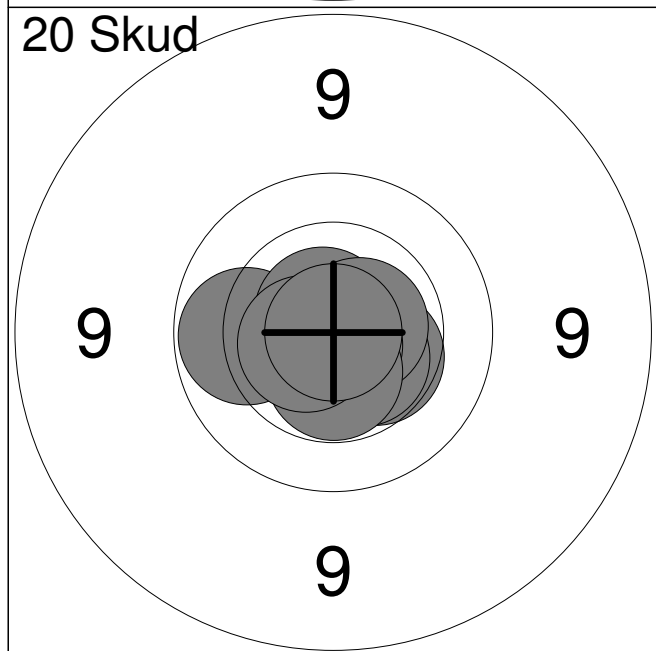
11:	9.4	↓
12:	9.5	↑
13:	9.5	←
14:	10.4	↑
15:	10.2	↑
16:	10.2	←
17:	9.6	↑
18:	9.6	↗
19:	10.4	↗
20:	9.6	↑
Serie		94
Total		188



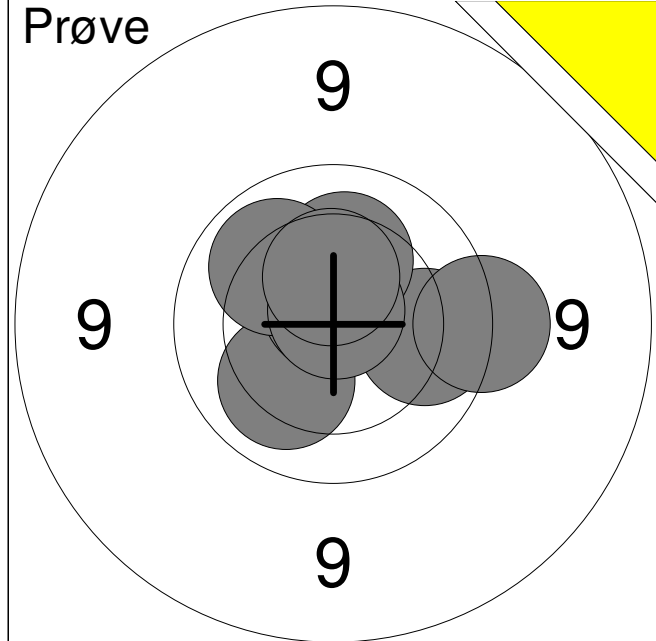
1:	9.6	↑
2:	10.3	↑
3:	10.5x	➤
4:	10.2	←
5:	10.5	↙
6:	10.6x	↑
Serie		59
Total		0



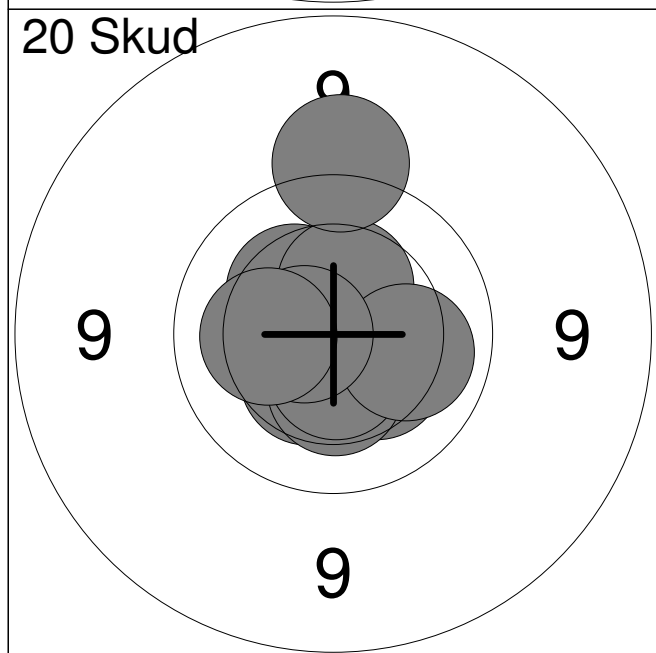
1:	10.8x	➤
2:	10.6x	↓
3:	10.6x	↗
4:	10.3	→
5:	10.8x	↓
6:	10.6x	↓
7:	10.5x	➤
8:	10.5	→
9:	10.7x	↑
10:	10.4	↗
Serie		100
Total		100



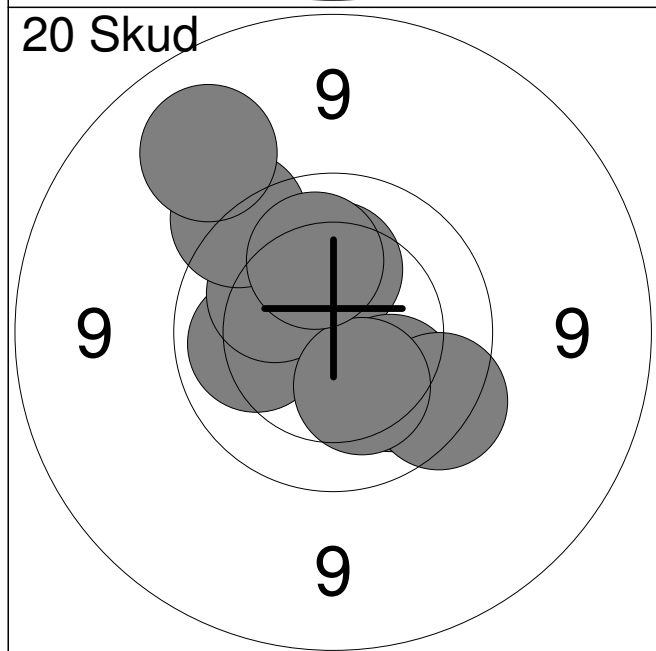
11:	10.4	➤
12:	10.7x	↓
13:	10.0	←
14:	10.5x	➤
15:	10.7x	↗
16:	10.6x	→
17:	10.8x	↓
18:	10.5x	↓
19:	10.6x	←
20:	10.9x	↙
Serie		100
Total		200



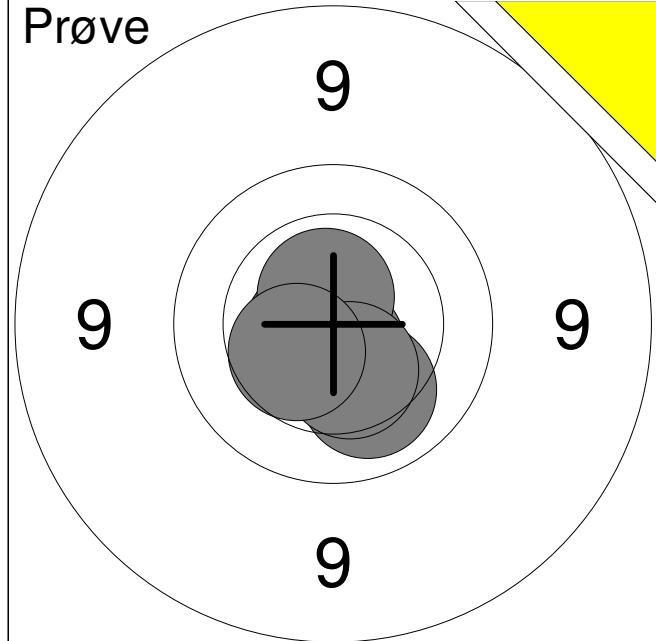
1:	10.1	↙
2:	9.9	→
3:	10.2	↑
4:	10.7x	↑
5:	10.1	↗
6:	9.6	→
7:	10.8x	↑
8:	10.4	↑
Serie		78
Total		0



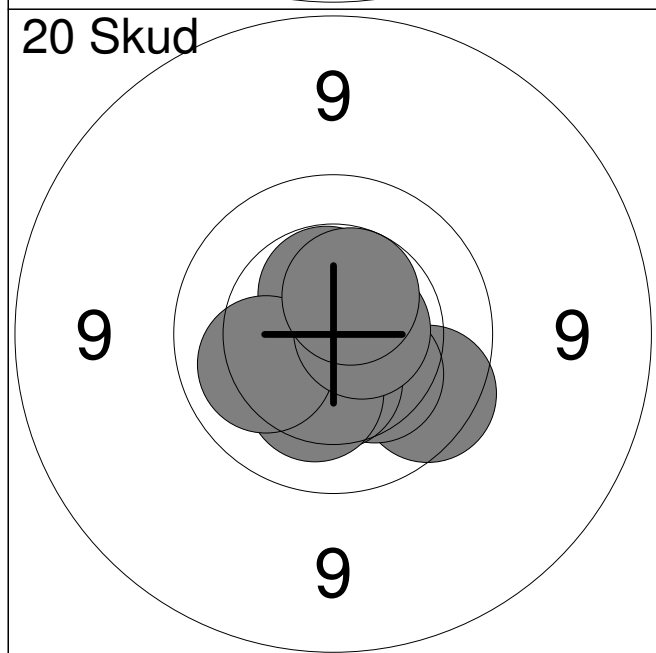
1:	10.4	↙
2:	10.3	↘
3:	10.4	↓
4:	10.3	↗
5:	10.4	↑
6:	10.5x	↓
7:	10.1	→
8:	10.6x	←
9:	10.2	←
10:	9.4	↑
Serie		99
Total		99



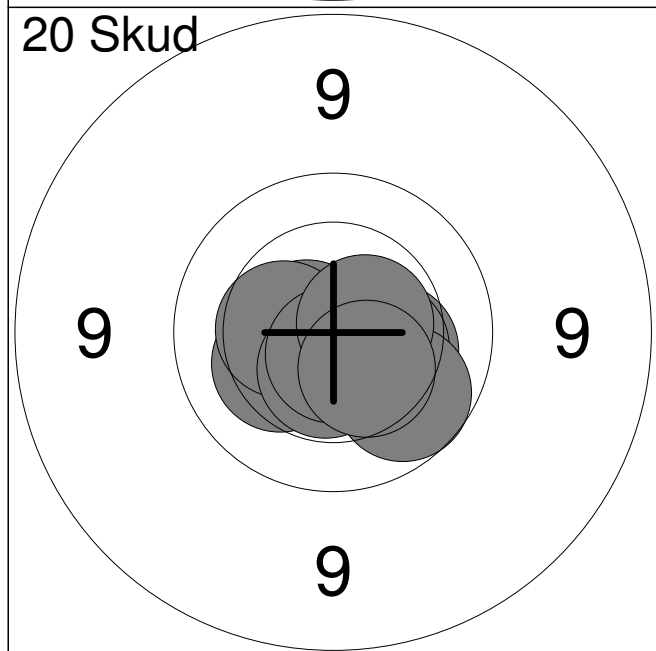
11:	10.7x	↗
12:	10.1	←
13:	10.3	↑
14:	10.1	↘
15:	10.2	↗
16:	9.7	↘
17:	10.3	↘
18:	9.6	↗
19:	10.1	↑
20:	9.1	↗
Serie		97
Total		196



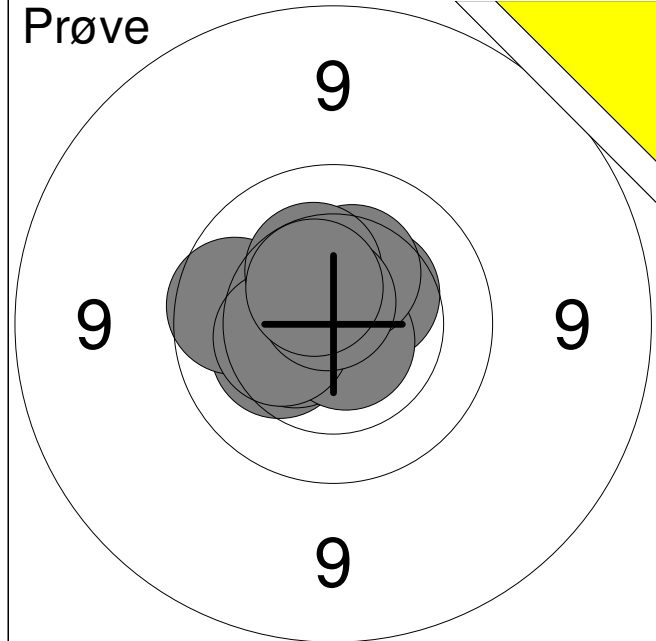
1:	10.7x	←
2:	10.1	↘
3:	10.7x	↘
4:	10.6x	↗
5:	10.4	↘
6:	10.4	↙
Serie		60
Total		0



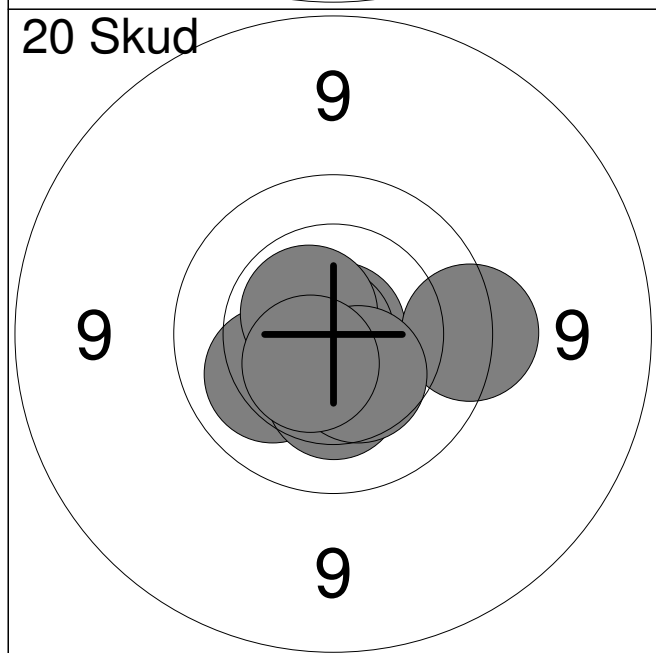
1:	9.8	↘
2:	10.9x	→
3:	10.5x	↑
4:	10.6x	↗
5:	10.3	↘
6:	10.4	↓
7:	10.3	↓
8:	10.1	←
9:	10.6x	→
10:	10.5x	↗
Serie		99
Total		99



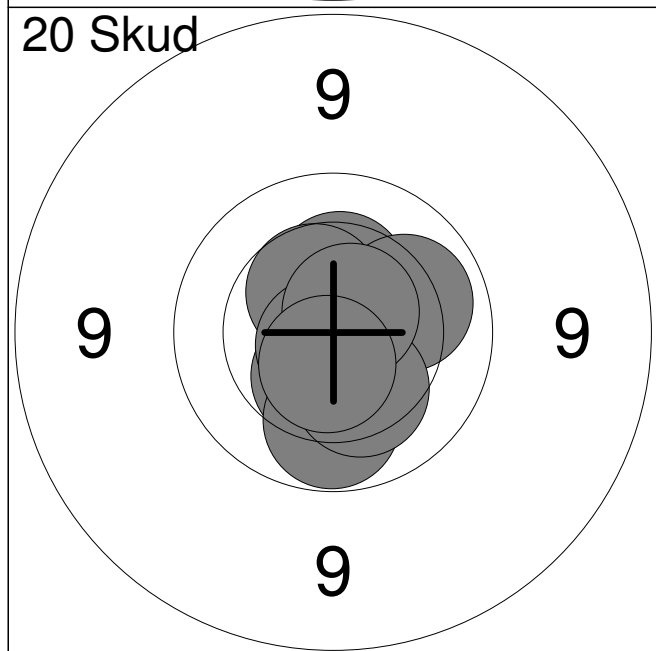
11:	10.7x	←
12:	10.3	←
13:	10.3	→
14:	10.4	←
15:	10.5x	↘
16:	10.4	→
17:	10.7x	↓
18:	9.9	↘
19:	10.6x	→
20:	10.4	↘
Serie		99
Total		198



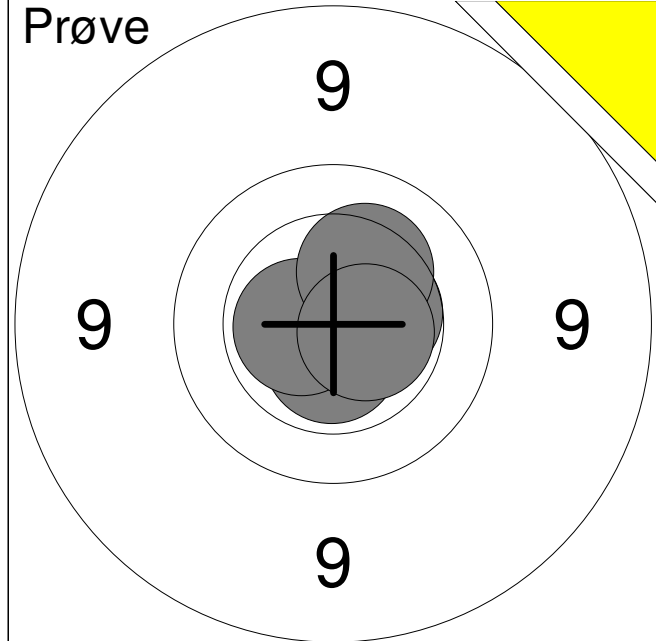
1:	10.3	↙
2:	10.5x	↙
3:	10.4	↗
4:	9.9	↖
5:	10.7x	↘
6:	10.4	↖
7:	10.4	↗
8:	10.3	↗
9:	10.7x	↗
10:	10.5x	↗
Serie		99
Total		0



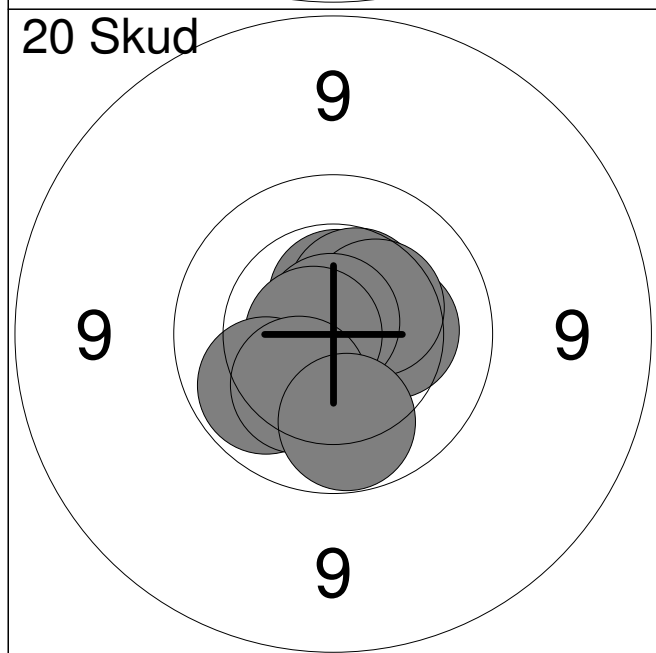
1:	10.9x	↘
2:	10.1	↖
3:	10.9x	↗
4:	10.9x	↖
5:	9.7	→
6:	10.6x	↘
7:	10.3	↘
8:	10.6x	↗
9:	10.4	↘
10:	10.5x	↘
Serie		99
Total		99



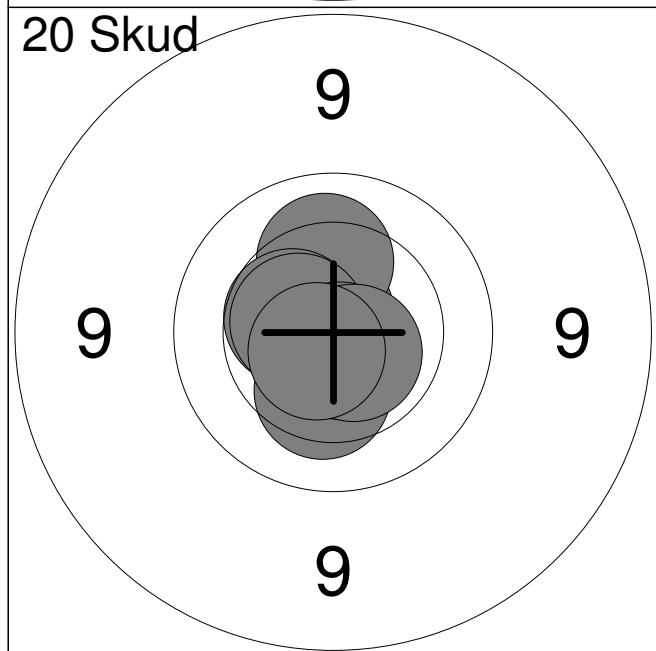
11:	10.8x	→
12:	10.4	↘
13:	10.4	↗
14:	10.1	↗
15:	10.5	↗
16:	10.0	↘
17:	10.3	↘
18:	10.8x	↘
19:	10.7x	↗
20:	10.6x	↘
Serie		100
Total		199



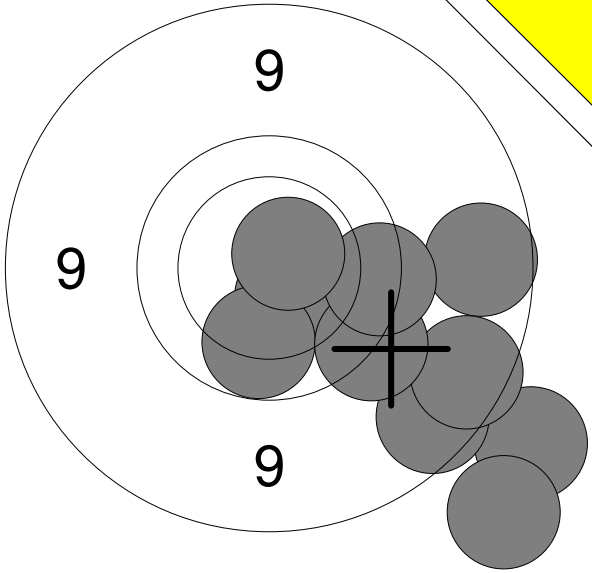
1:	10.6x	↓
2:	10.6x	←
3:	10.5	→
4:	10.3	↑
5:	10.6x	→
Serie		50
Total		0

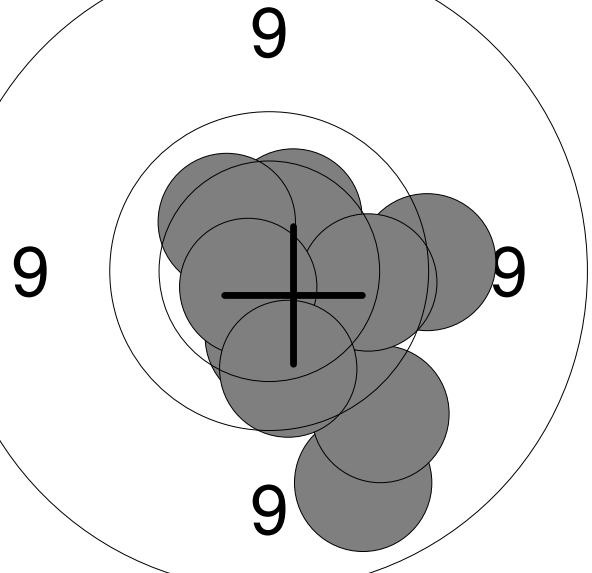


1:	10.3	→
2:	10.6x	↑
3:	10.8x	↗
4:	10.5	↗
5:	10.4	↗
6:	10.8x	↑
7:	10.7x	←
8:	10.0	↙
9:	10.3	↙
10:	10.0	↓
Serie		100
Total		100

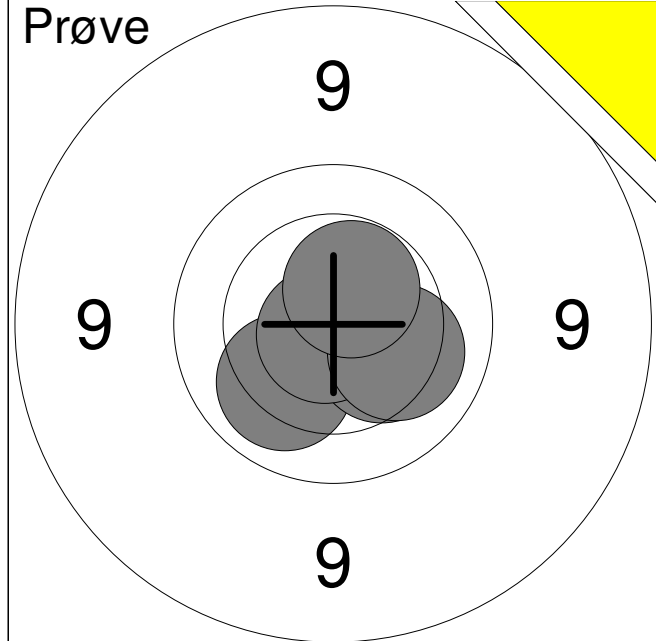


11:	10.7x	↓
12:	10.7x	↑
13:	10.7x	↓
14:	10.2	↑
15:	10.5	←
16:	10.5x	←
17:	10.3	↓
18:	10.7x	↓
19:	10.6x	↘
20:	10.7x	↘
Serie		100
Total		200

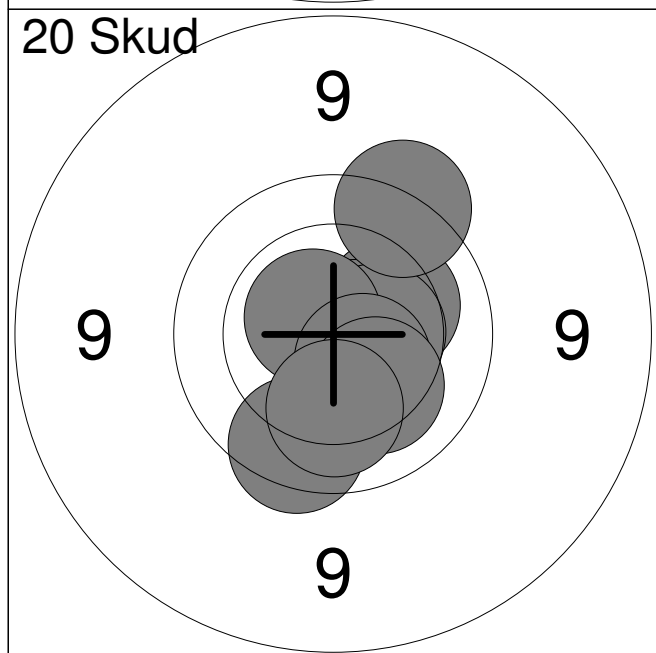
Prøve 	1:	8.4	↘
	2:	8.3	↘
	3:	8.9	→
	4:	10.5	↘
	5:	10.0	↓
	6:	8.9	↘
	7:	8.9	↘
	8:	9.6	↘
	9:	9.7	→
	10:	10.6x	↗
	Serie		88
Total		0	

20 Skud 	1:	9.5	→
	2:	10.3	↗
	3:	9.1	↘
	4:	10.3	↘
	5:	10.2	↘
	6:	9.4	↘
	7:	9.9	→
	8:	10.2	↗
	9:	10.7x	↖
	10:	9.9	↓
	Serie		95
Total		95	

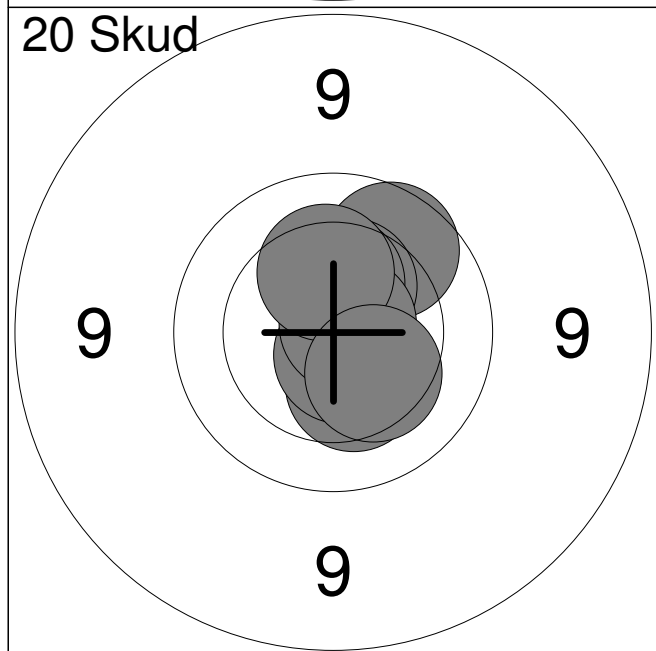
20 Skud 	11:	10.2	↓
	12:	9.9	↗
	13:	9.7	↘
	14:	9.4	←
	15:	9.5	↗
	16:	10.3	↗
	17:	10.4	↓
	18:	9.4	↗
	19:	9.7	↗
	20:	10.5	↓
	Serie		94
Total		189	



1:	10.1	↙
2:	10.3	↘
3:	10.8x	↙
4:	10.2	↘
5:	10.5x	↗
Serie		50
Total		0



1:	10.2	↗
2:	10.7x	→
3:	10.6x	↘
4:	10.5	→
5:	10.7x	↗
6:	10.5x	↘
7:	9.8	↘
8:	10.2	↘
9:	10.1	↓
10:	9.6	↗
Serie		98
Total		98



11:	10.3	↘
12:	9.9	↗
13:	10.7x	↘
14:	10.7x	↘
15:	10.4	↗
16:	10.7x	↘
17:	10.4	↑
18:	10.8x	↗
19:	10.3	↑
20:	10.3	↘
Serie		99
Total		197

<p>Prøve</p>	<table style="width:100%; border-collapse: collapse;"> <tr><td style="width:5%;">1:</td><td style="width:15%;">9.7</td><td style="width:10%; text-align: right;">↘</td></tr> <tr><td>2:</td><td>10.3</td><td style="text-align: right;">←</td></tr> <tr><td>3:</td><td>9.8</td><td style="text-align: right;">↘</td></tr> <tr><td>4:</td><td>9.8</td><td style="text-align: right;">↘</td></tr> <tr><td>5:</td><td>10.7x</td><td style="text-align: right;">↘</td></tr> <tr><td>6:</td><td>10.5x</td><td style="text-align: right;">↗</td></tr> <tr><td>7:</td><td>10.4</td><td style="text-align: right;">↗</td></tr> <tr><td>8:</td><td>10.3</td><td style="text-align: right;">↗</td></tr> <tr><td>9:</td><td>10.1</td><td style="text-align: right;">↗</td></tr> <tr><td>10:</td><td>10.5x</td><td style="text-align: right;">←</td></tr> <tr><td colspan="2">Serie</td><td style="text-align: right;">97</td></tr> <tr><td colspan="2">Total</td><td style="text-align: right;">0</td></tr> </table>	1:	9.7	↘	2:	10.3	←	3:	9.8	↘	4:	9.8	↘	5:	10.7x	↘	6:	10.5x	↗	7:	10.4	↗	8:	10.3	↗	9:	10.1	↗	10:	10.5x	←	Serie		97	Total		0
1:	9.7	↘																																			
2:	10.3	←																																			
3:	9.8	↘																																			
4:	9.8	↘																																			
5:	10.7x	↘																																			
6:	10.5x	↗																																			
7:	10.4	↗																																			
8:	10.3	↗																																			
9:	10.1	↗																																			
10:	10.5x	←																																			
Serie		97																																			
Total		0																																			

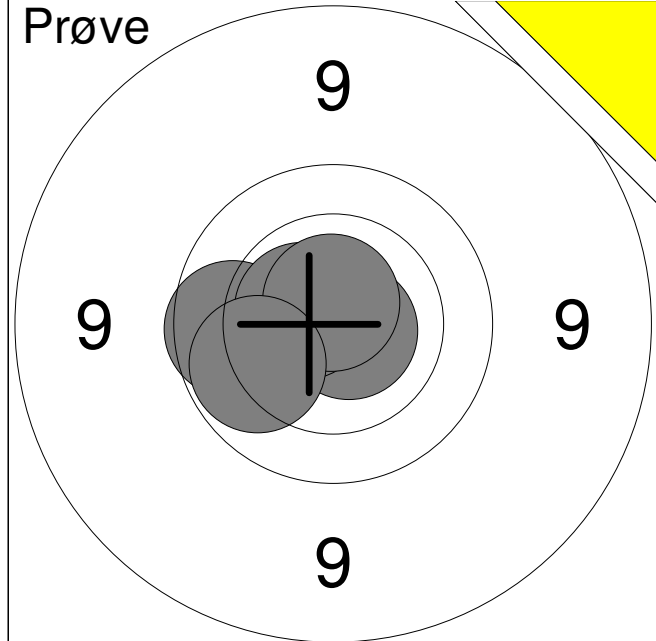
<p>20 Skud</p>	<table style="width:100%; border-collapse: collapse;"> <tr><td style="width:5%;">1:</td><td style="width:15%;">10.5x</td><td style="width:10%; text-align: right;">←</td></tr> <tr><td>2:</td><td>10.2</td><td style="text-align: right;">↘</td></tr> <tr><td>3:</td><td>10.8x</td><td style="text-align: right;">→</td></tr> <tr><td>4:</td><td>10.8x</td><td style="text-align: right;">↘</td></tr> <tr><td>5:</td><td>10.4</td><td style="text-align: right;">↘</td></tr> <tr><td>6:</td><td>10.7x</td><td style="text-align: right;">↘</td></tr> <tr><td>7:</td><td>10.7x</td><td style="text-align: right;">→</td></tr> <tr><td>8:</td><td>10.4</td><td style="text-align: right;">→</td></tr> <tr><td>9:</td><td>10.2</td><td style="text-align: right;">←</td></tr> <tr><td>10:</td><td>10.2</td><td style="text-align: right;">←</td></tr> <tr><td colspan="2">Serie</td><td style="text-align: right;">100</td></tr> <tr><td colspan="2">Total</td><td style="text-align: right;">100</td></tr> </table>	1:	10.5x	←	2:	10.2	↘	3:	10.8x	→	4:	10.8x	↘	5:	10.4	↘	6:	10.7x	↘	7:	10.7x	→	8:	10.4	→	9:	10.2	←	10:	10.2	←	Serie		100	Total		100
1:	10.5x	←																																			
2:	10.2	↘																																			
3:	10.8x	→																																			
4:	10.8x	↘																																			
5:	10.4	↘																																			
6:	10.7x	↘																																			
7:	10.7x	→																																			
8:	10.4	→																																			
9:	10.2	←																																			
10:	10.2	←																																			
Serie		100																																			
Total		100																																			

<p>20 Skud</p>	<table style="width:100%; border-collapse: collapse;"> <tr><td style="width:5%;">11:</td><td style="width:15%;">10.4</td><td style="width:10%; text-align: right;">↘</td></tr> <tr><td>12:</td><td>10.3</td><td style="text-align: right;">↘</td></tr> <tr><td>13:</td><td>10.4</td><td style="text-align: right;">↘</td></tr> <tr><td>14:</td><td>10.7x</td><td style="text-align: right;">↑</td></tr> <tr><td>15:</td><td>9.9</td><td style="text-align: right;">↘</td></tr> <tr><td>16:</td><td>10.6x</td><td style="text-align: right;">↘</td></tr> <tr><td>17:</td><td>10.6x</td><td style="text-align: right;">↘</td></tr> <tr><td>18:</td><td>9.8</td><td style="text-align: right;">↘</td></tr> <tr><td>19:</td><td>10.6x</td><td style="text-align: right;">↘</td></tr> <tr><td>20:</td><td>10.2</td><td style="text-align: right;">↘</td></tr> <tr><td colspan="2">Serie</td><td style="text-align: right;">98</td></tr> <tr><td colspan="2">Total</td><td style="text-align: right;">198</td></tr> </table>	11:	10.4	↘	12:	10.3	↘	13:	10.4	↘	14:	10.7x	↑	15:	9.9	↘	16:	10.6x	↘	17:	10.6x	↘	18:	9.8	↘	19:	10.6x	↘	20:	10.2	↘	Serie		98	Total		198
11:	10.4	↘																																			
12:	10.3	↘																																			
13:	10.4	↘																																			
14:	10.7x	↑																																			
15:	9.9	↘																																			
16:	10.6x	↘																																			
17:	10.6x	↘																																			
18:	9.8	↘																																			
19:	10.6x	↘																																			
20:	10.2	↘																																			
Serie		98																																			
Total		198																																			

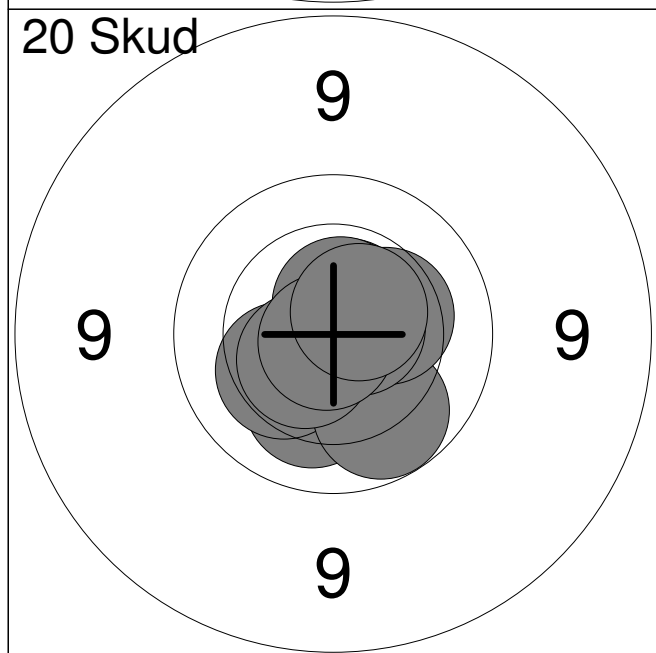
Prøve 	1:	10.0	→
	2:	9.9	↗
	3:	10.3	↗
	4:	10.4	→
	5:	9.6	→
	6:	10.2	↘
	7:	10.4	←
	8:	10.6x	←
	Serie		78
	Total		0

20 Skud 	1:	10.1	↘
	2:	10.7x	↗
	3:	10.2	↗
	4:	10.3	↘
	5:	10.5x	↘
	6:	10.0	↘
	7:	10.3	↘
	8:	10.8x	→
	9:	10.4	→
	10:	10.0	→
Serie		100	
Total		100	

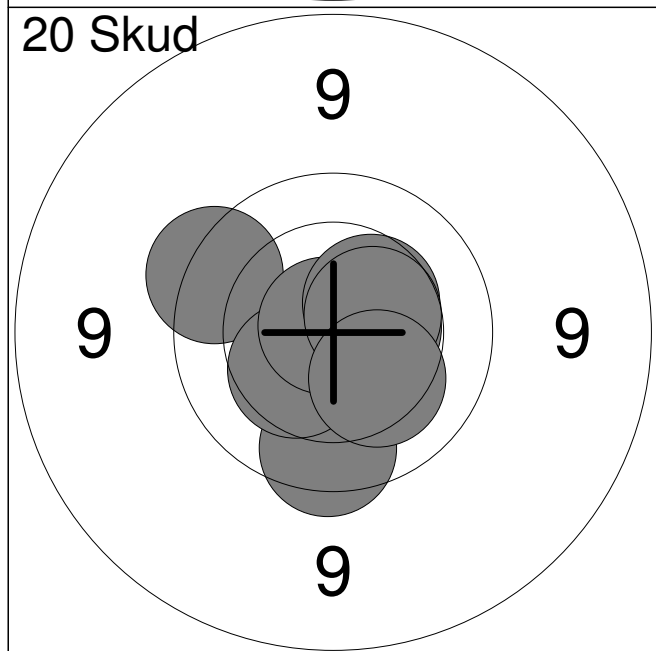
20 Skud 	11:	10.1	↗
	12:	10.4	↘
	13:	10.9x	→
	14:	10.1	↘
	15:	10.2	↘
	16:	10.1	↘
	17:	10.2	↗
	18:	10.5	↗
	19:	10.7x	↗
	20:	10.9x	↘
Serie		100	
Total		200	



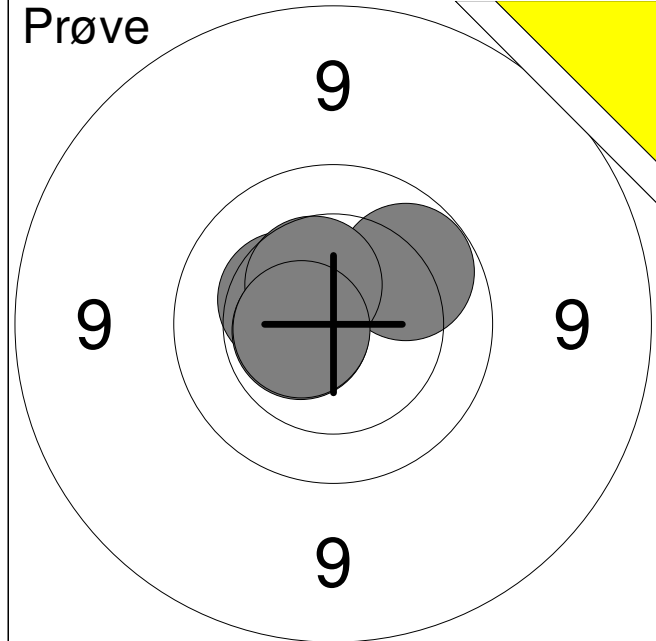
1:	10.8x	➔
2:	9.9	←
3:	10.6x	↖
4:	10.7x	↑
5:	10.0	↙
Serie		49
Total		0



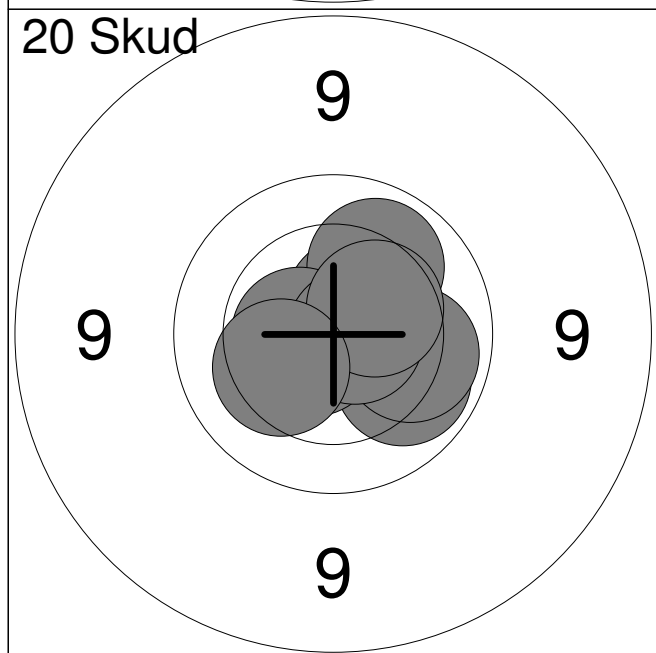
1:	10.2	↓
2:	10.3	↙
3:	10.0	↓
4:	10.6x	↑
5:	10.3	➔
6:	10.7x	➔
7:	10.5x	↙
8:	10.6x	↑
9:	10.8x	↙
10:	10.6x	↗
Serie		100
Total		100



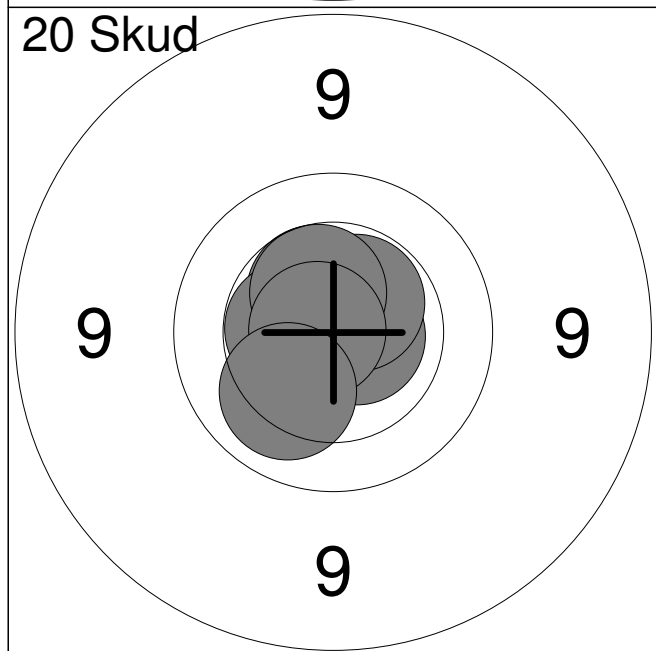
11:	10.4	↓
12:	9.8	↓
13:	10.8x	↙
14:	10.5x	➔
15:	9.7	↖
16:	10.4	↙
17:	10.8x	↑
18:	10.4	↗
19:	10.5	➔
20:	10.3	↓
Serie		98
Total		198



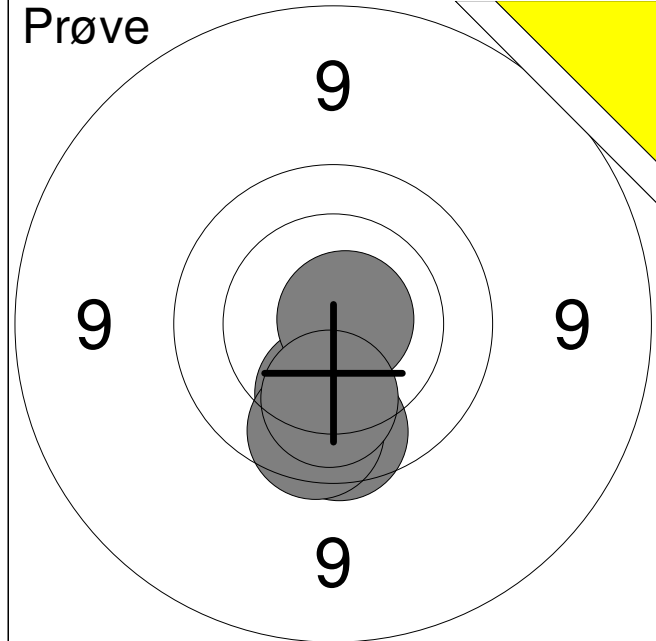
1:	10.0	↗
2:	10.4	↖
3:	10.5	↗
4:	10.6x	↖
5:	10.6x	↖
Serie		50
Total		0



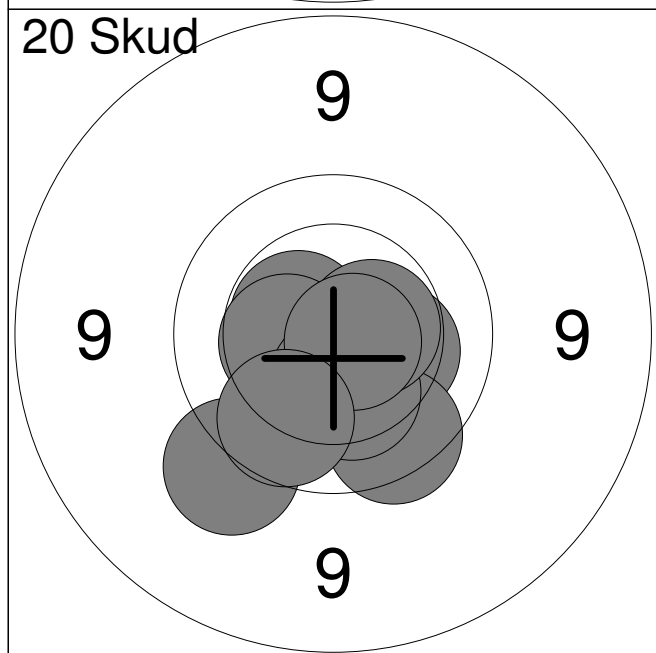
1:	10.0	↘
2:	10.7x	↖
3:	10.1	→
4:	10.7x	↗
5:	10.6x	↗
6:	10.1	↗
7:	10.6x	↖
8:	10.7x	→
9:	10.4	↗
10:	10.3	↖
Serie		100
Total		100



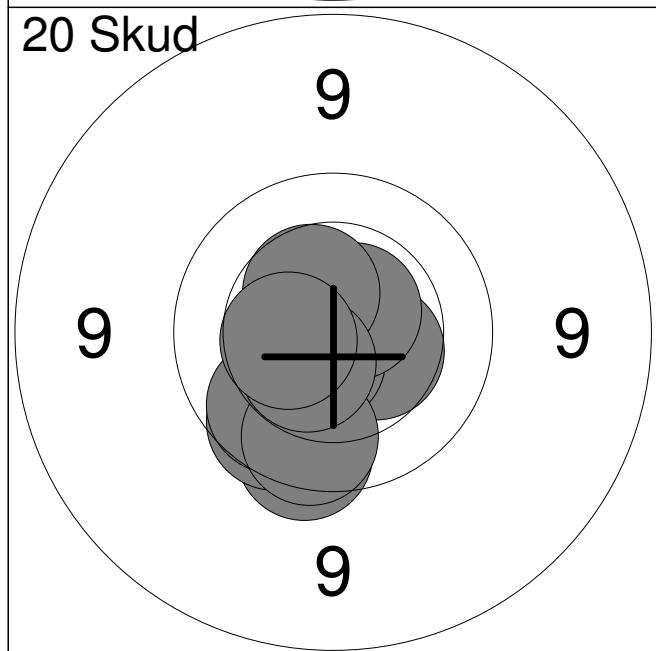
11:	10.8x	↘
12:	10.7x	↖
13:	10.5	↗
14:	10.5x	↖
15:	10.8x	↗
16:	10.7x	→
17:	10.5x	↗
18:	10.5	↗
19:	10.8x	↖
20:	10.1	↘
Serie		100
Total		200



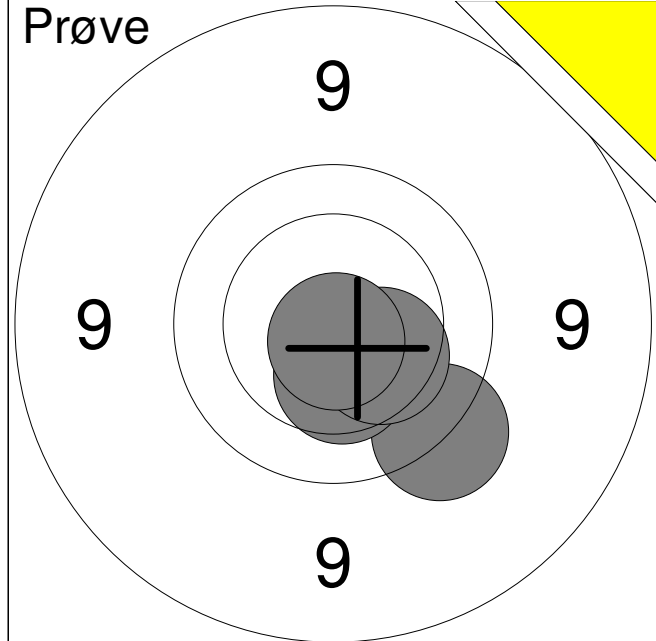
1:	10.2	↓
2:	9.8	↓
3:	10.8x	→
4:	9.8	↓
5:	10.1	↓
Serie		48
Total		0



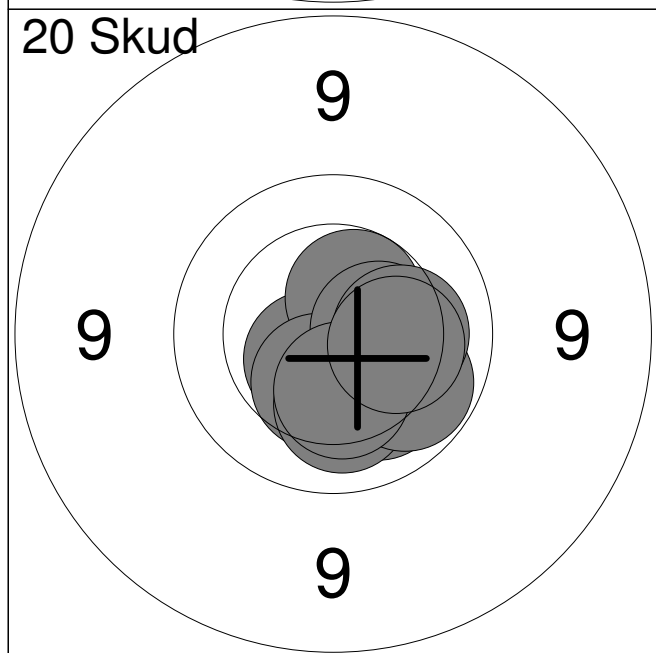
1:	10.5x	↖
2:	10.4	←
3:	10.3	→
4:	10.4	↓
5:	9.8	↓
6:	10.3	↓
7:	9.5	↙
8:	10.5x	→
9:	10.7x	↘
10:	9.9	↓
Serie		97
Total		97



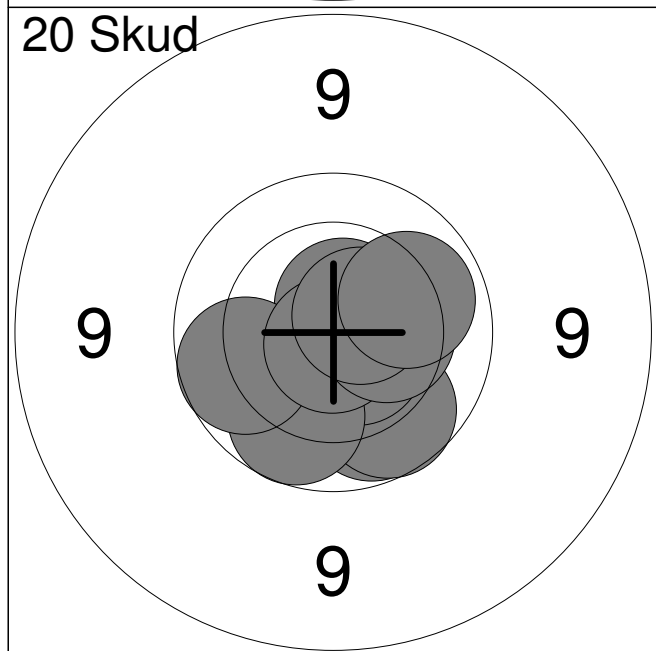
11:	9.7	↓
12:	10.4	↘
13:	10.6x	↓
14:	9.9	↓
15:	9.9	↓
16:	9.8	↓
17:	10.6x	↗
18:	10.5	↗
19:	10.5x	↓
20:	10.4	←
Serie		96
Total		193



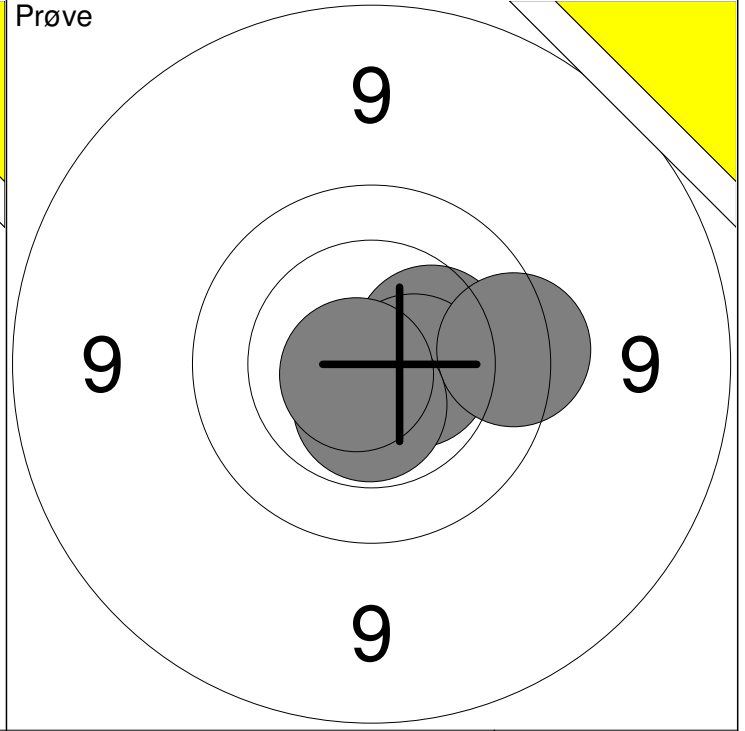
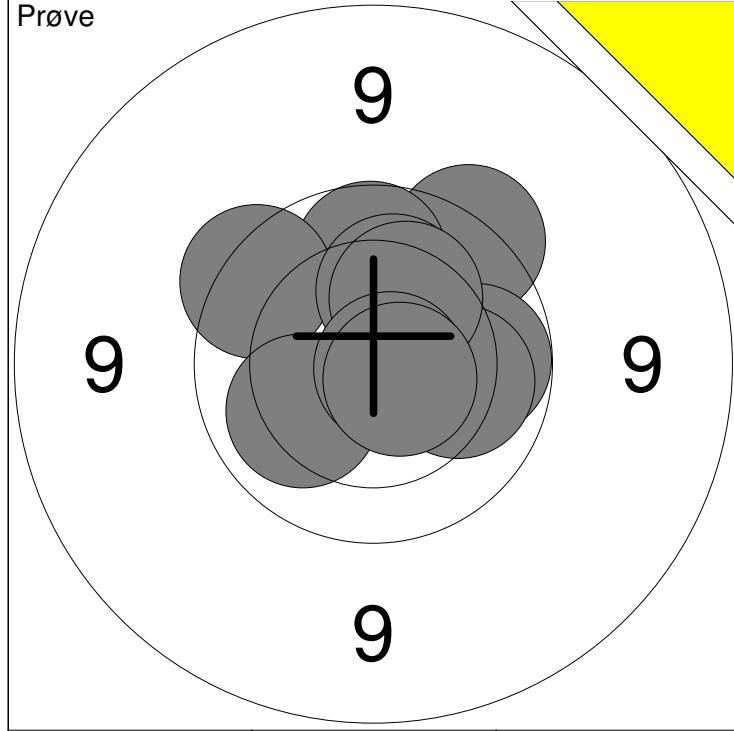
1:	9.6	↘
2:	10.6x	↘
3:	10.4	↘
4:	10.3	↘
5:	10.8x	↘
Serie		49
Total		0



1:	10.1	↘
2:	10.6x	↘
3:	10.5x	↗
4:	10.4	↘
5:	10.4	→
6:	10.2	↘
7:	10.0	↘
8:	10.2	→
9:	10.3	↘
10:	10.3	→
Serie		100
Total		100

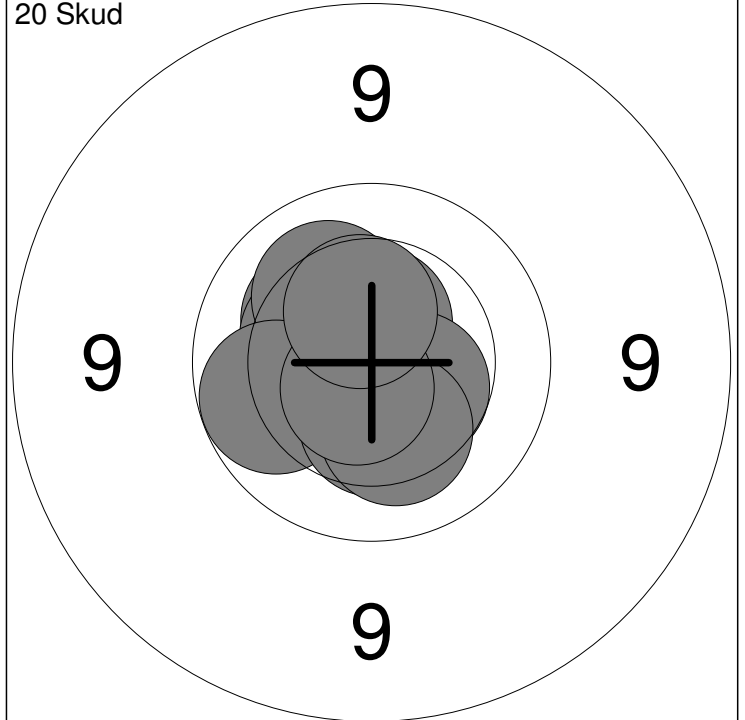
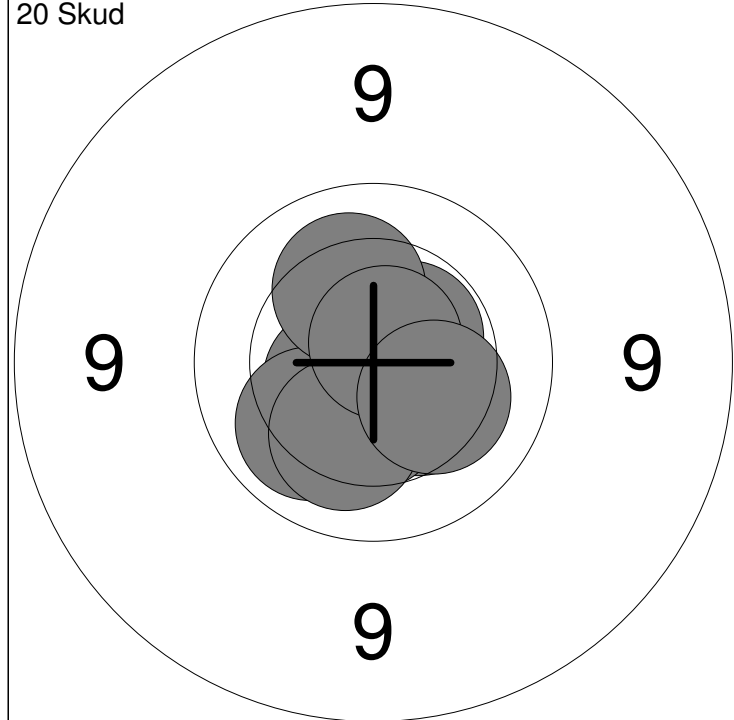


11:	10.0	↘
12:	9.9	↘
13:	10.6x	↗
14:	10.6x	↘
15:	9.9	↘
16:	9.9	←
17:	10.8x	↘
18:	10.4	→
19:	10.6x	↗
20:	10.1	↗
Serie		97
Total		197



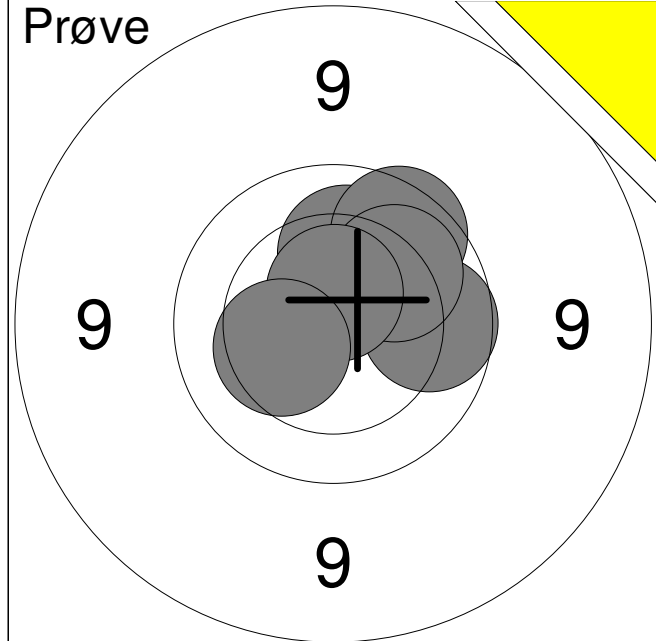
1: 9.7 ↗	6: 10.2 ↑	Serie	97
2: 10.0 →	7: 10.1 ↙		
3: 10.1 →	8: 10.2 ↗	Total	0
4: 9.9 ↑	9: 10.8x →		
5: 9.7 ↖	10: 10.7x ↘		

11: 10.3 →	Serie	49
12: 10.5x →		
13: 9.7 →	Total	0
14: 10.5x ↓		
15: 10.8x ↙		

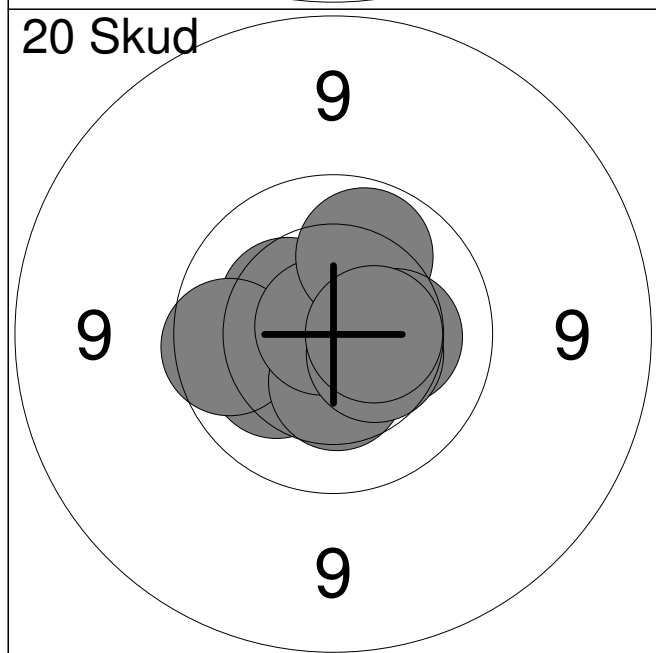


1: 10.6x ↙	6: 10.1 ↙	Serie	100
2: 10.4 ↘	7: 10.2 ↗		
3: 10.5x ↗	8: 10.2 ↓	Total	100
4: 10.3 ↓	9: 10.7x ↗		
5: 10.5 ↓	10: 10.3 ↘		

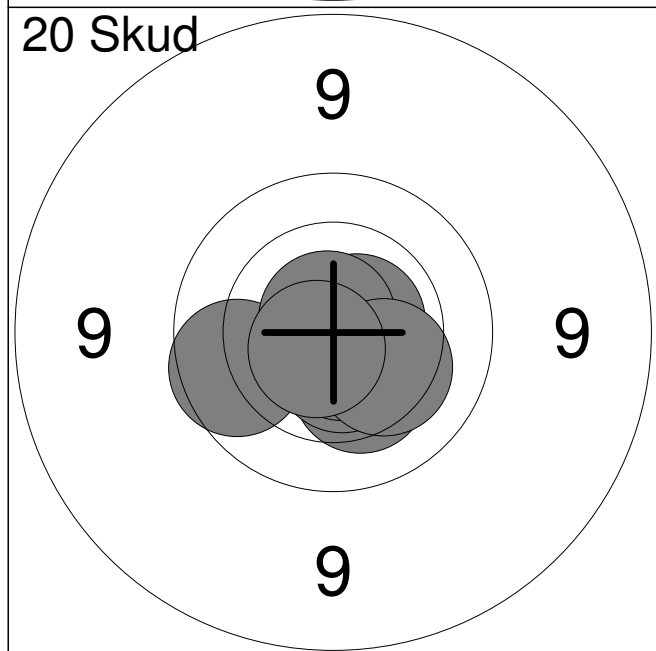
11: 10.6x ↑	16: 10.5 ↘	Serie	100
12: 10.3 ↖	17: 10.4 ↓		
13: 10.4 ↖	18: 10.3 ↓	Total	200
14: 10.2 ↗	19: 10.7x ↓		
15: 10.0 ↙	20: 10.4 ↑		



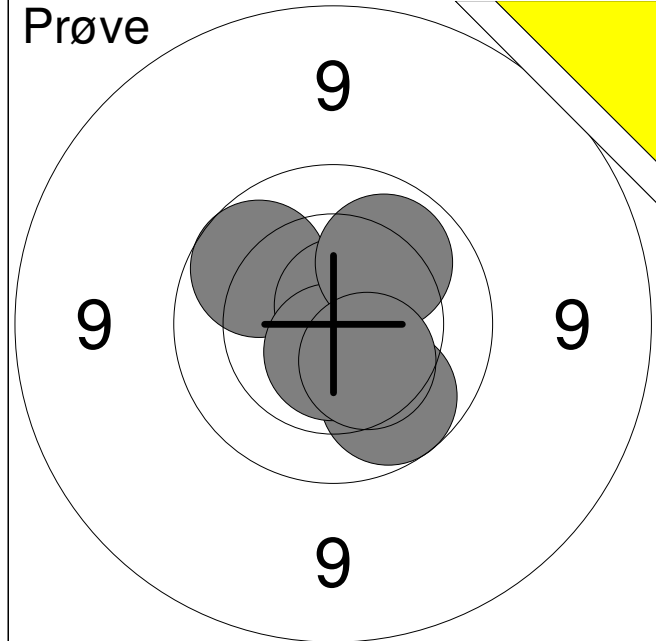
1:	9.9	→
2:	10.2	↑
3:	9.8	↗
4:	10.1	↘
5:	10.6x	↑
6:	10.3	←
Serie		58
Total		0



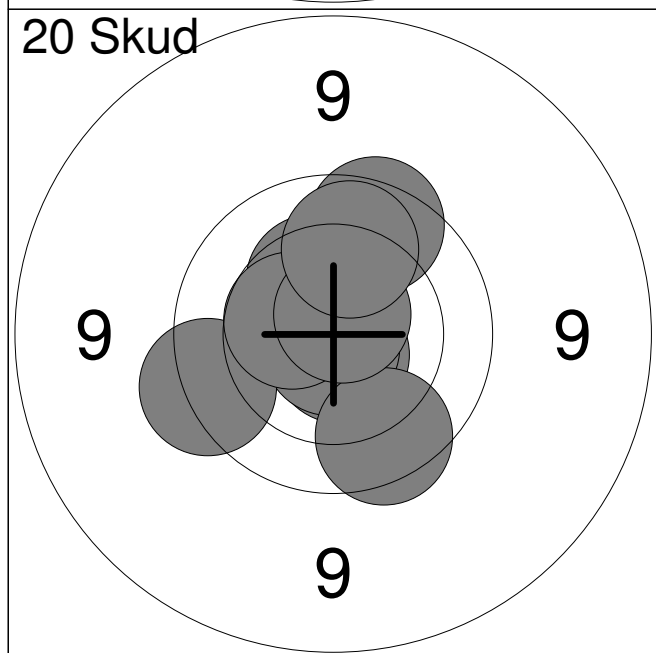
1:	10.5x	↖
2:	10.4	↗
3:	10.2	↙
4:	9.9	←
5:	10.4	↓
6:	10.8x	↗
7:	10.0	↗
8:	10.3	→
9:	10.4	↘
10:	10.5x	→
Serie		99
Total		99



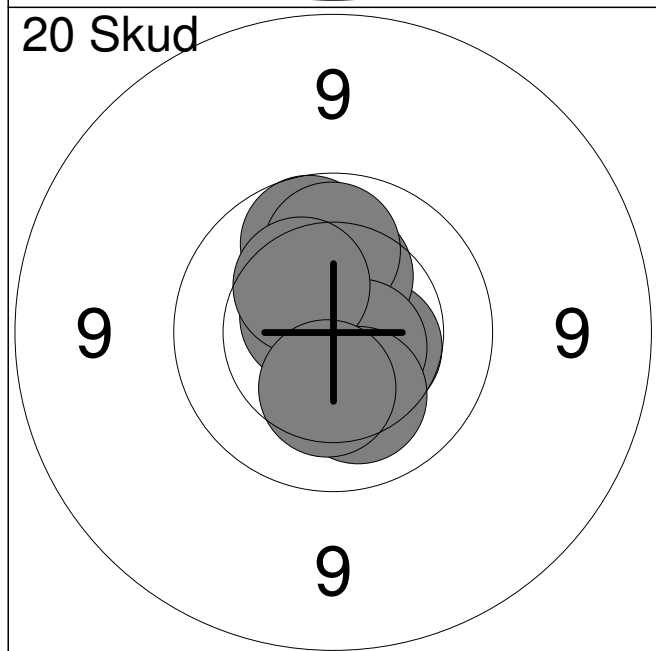
11:	10.3	↘
12:	10.6x	↘
13:	10.8x	↘
14:	9.9	←
15:	10.9x	↘
16:	10.7x	↘
17:	10.7x	↗
18:	10.8x	↗
19:	10.3	↘
20:	10.7x	↘
Serie		99
Total		198



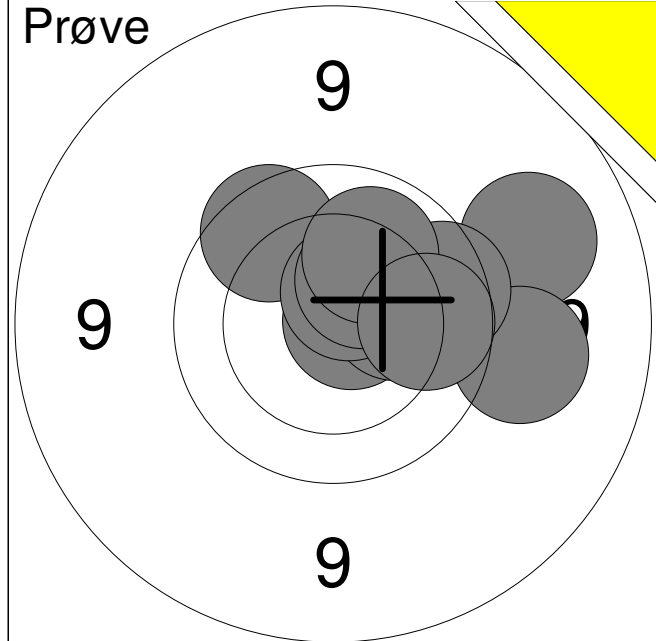
1:	9.9	↗
2:	9.9	↘
3:	10.7x	↗
4:	10.6x	↘
5:	10.1	↗
6:	10.4	↘
Serie		58
Total		0



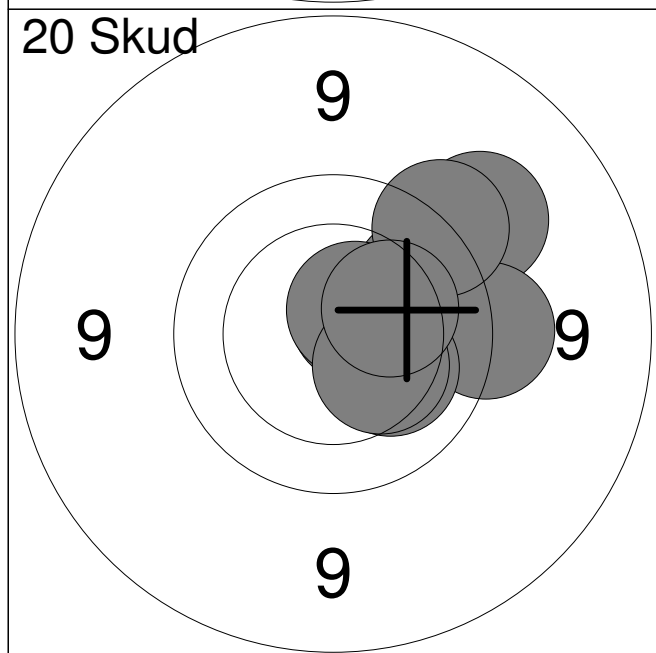
1:	9.8	↗
2:	10.7x	↘
3:	10.8x	↘
4:	10.5	↗
5:	9.7	↖
6:	10.3	↗
7:	10.5	↖
8:	9.8	↘
9:	10.7x	↗
10:	10.0	↗
Serie		97
Total		97



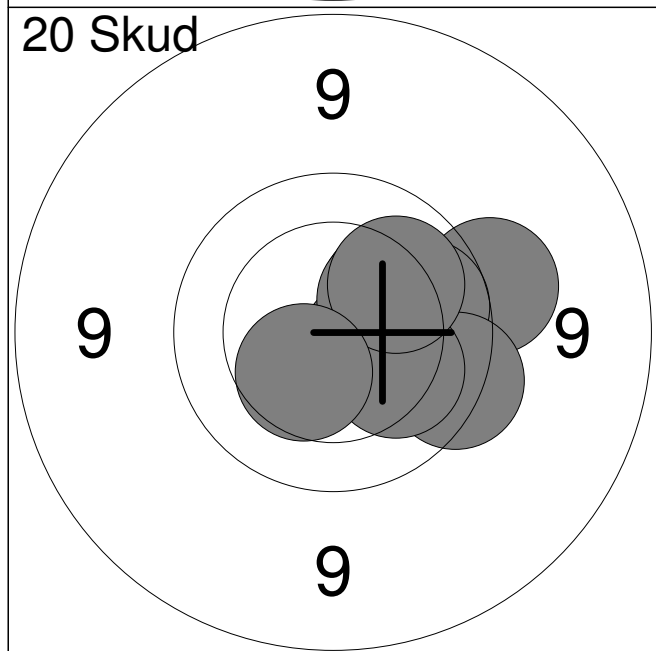
11:	9.9	↗
12:	10.6x	↗
13:	10.5	↘
14:	10.5	↗
15:	10.3	↗
16:	10.0	↗
17:	10.6x	↘
18:	10.3	↗
19:	10.2	↘
20:	10.3	↘
Serie		99
Total		196



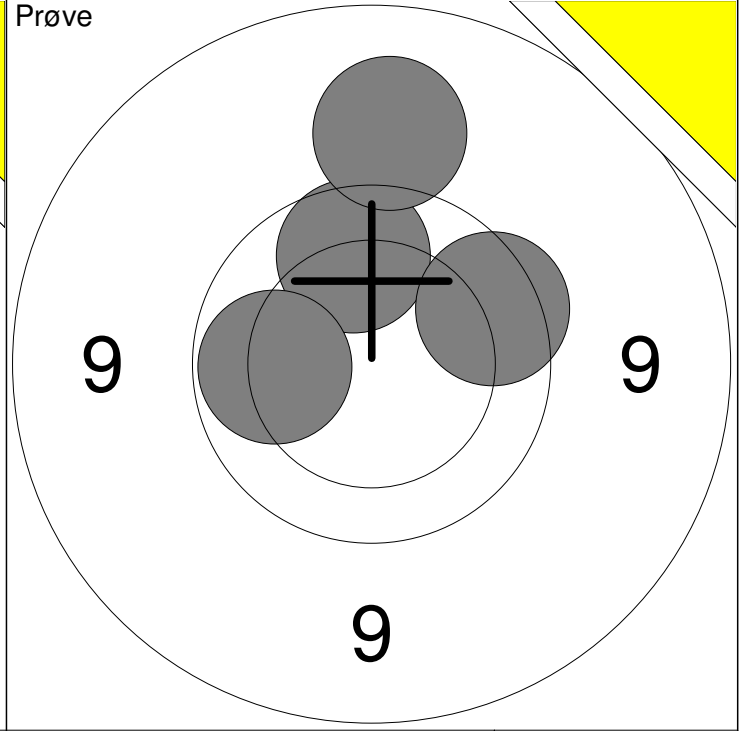
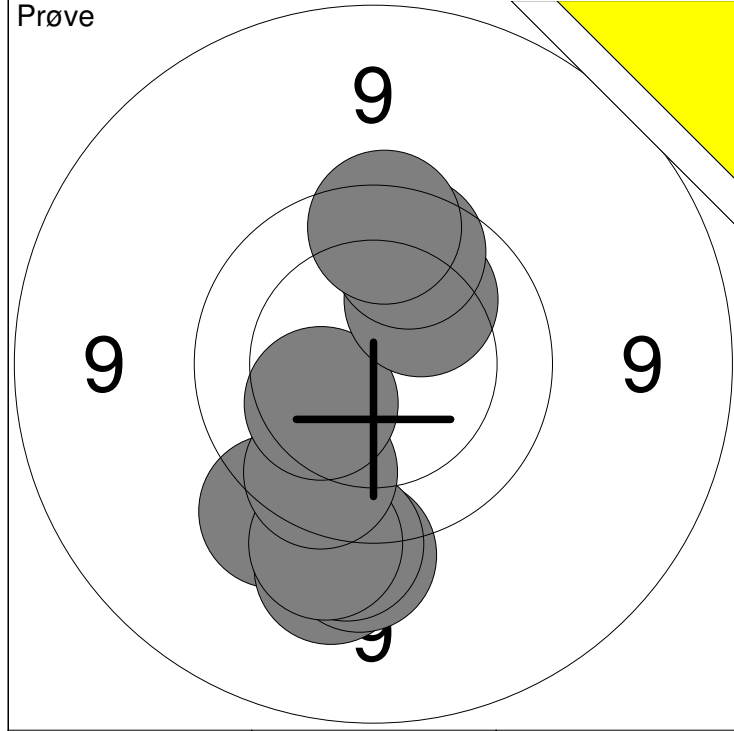
1:	9.8	↗
2:	9.2	→
3:	10.8x	→
4:	10.2	→
5:	10.6x	↗
6:	9.3	→
7:	10.4	↗
8:	9.8	→
9:	10.1	↗
10:	9.9	→
Serie		95
Total		0



1:	9.4	↗
2:	10.6x	↗
3:	9.9	↗
4:	10.6x	↗
5:	10.1	→
6:	9.6	→
7:	9.6	↗
8:	10.2	↘
9:	10.3	↘
10:	10.3	↗
Serie		96
Total		96

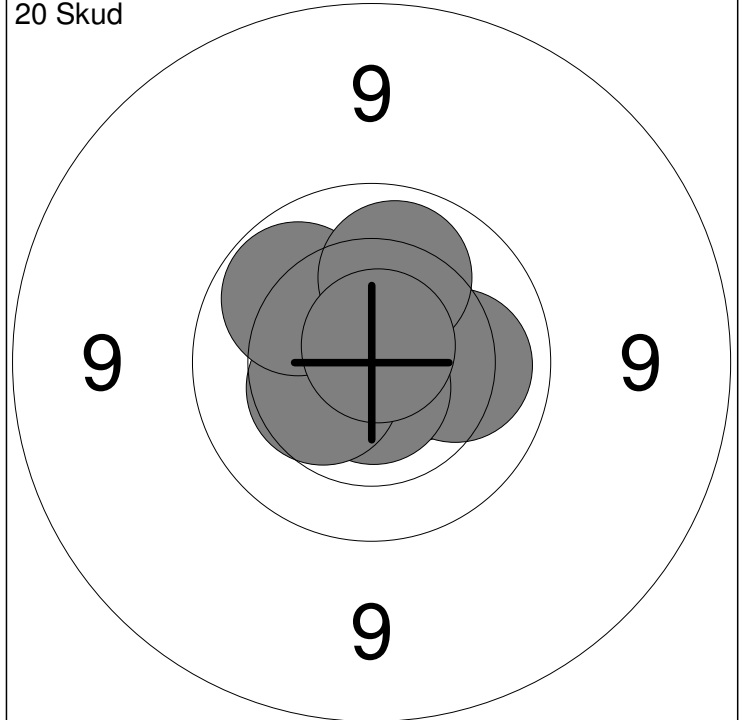
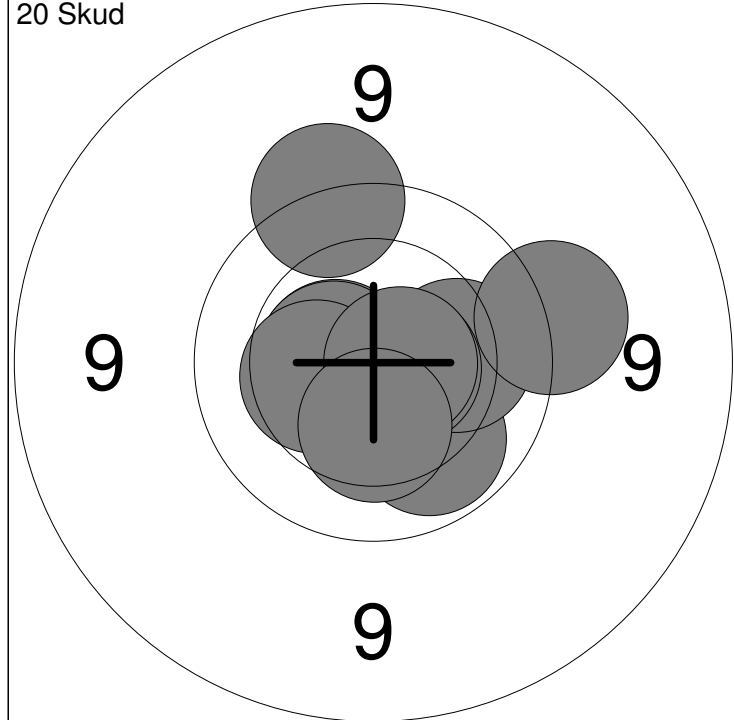


11:	10.5x	↘
12:	10.2	↗
13:	9.8	→
14:	9.5	→
15:	9.9	→
16:	10.3	↗
17:	9.7	↘
18:	10.1	↘
19:	10.1	↗
20:	10.4	↘
Serie		96
Total		192



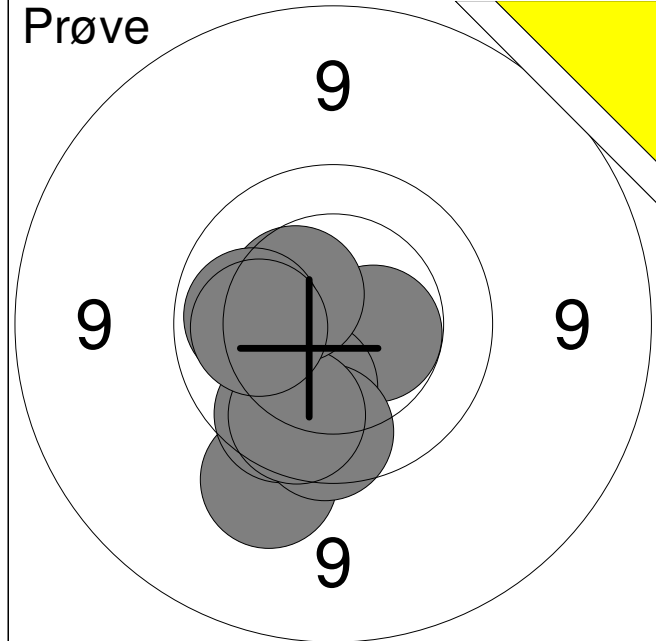
1: 9.5 ↓	6: 9.8 ↓	Serie	92
2: 9.4 ↓	7: 10.3 ↙		
3: 9.4 ↓	8: 10.2 ↗	Total	0
4: 9.5 ↓	9: 9.9 ↗		
5: 9.5 ↓	10: 9.8 ↗		

11: 9.9 ↑	Serie	37
12: 9.2 ↑		
13: 9.8 ↗	Total	0
14: 10.0 ←		

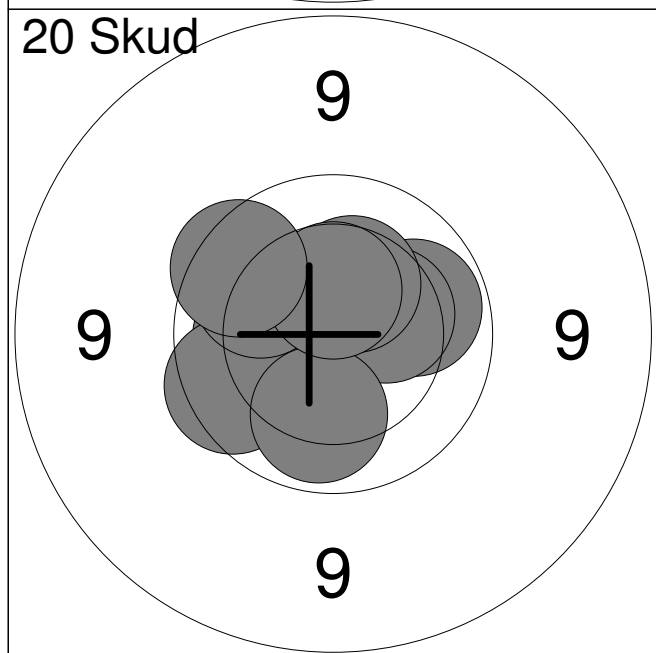


1: 10.0 ↓	6: 10.6x →	Serie	98
2: 10.6x ←	7: 9.5 →		
3: 10.1 →	8: 10.4 ←	Total	98
4: 9.6 ↗	9: 10.7x →		
5: 10.6x ←	10: 10.3 ↓		

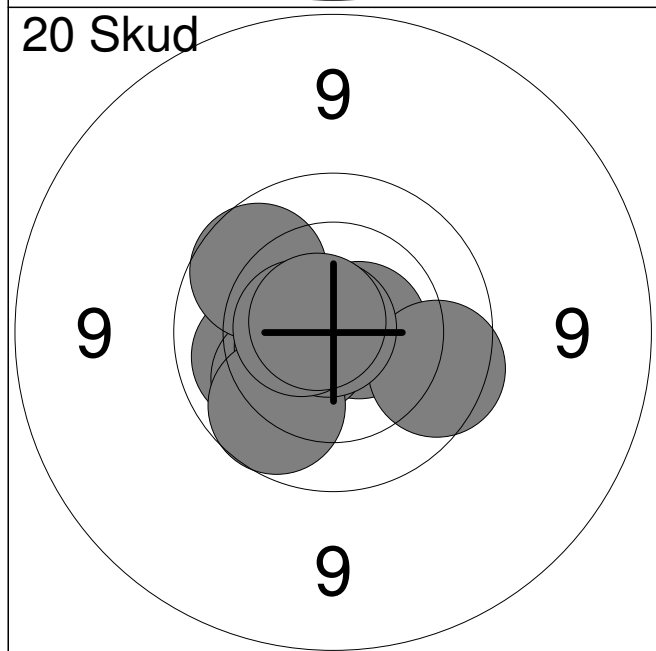
11: 10.8x ↗	16: 10.7x ↓	Serie	100
12: 10.2 ↙	17: 10.4 ↙		
13: 10.5x →	18: 10.0 ↙	Total	198
14: 10.3 ↙	19: 10.1 ↗		
15: 10.1 →	20: 10.8x ↗		



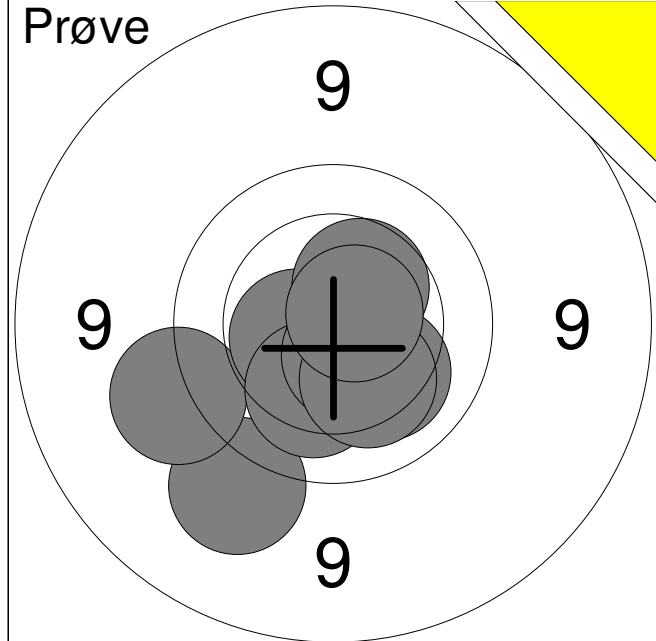
1:	10.2	←
2:	9.5	↓
3:	10.5x	→
4:	9.9	↓
5:	10.2	↓
6:	9.8	↓
7:	9.9	↓
8:	10.4	↖
9:	10.1	←
10:	10.1	←
Serie		96
Total		0



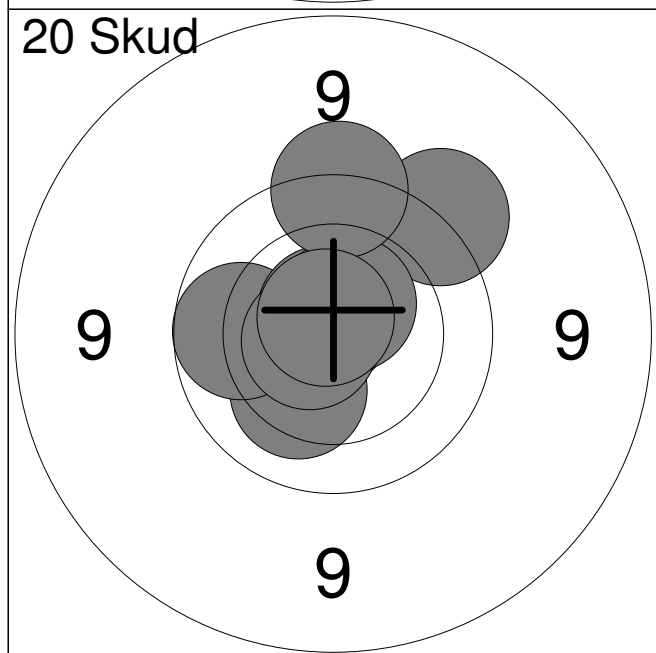
1:	10.0	→
2:	10.3	→
3:	10.2	←
4:	10.2	←
5:	9.8	←
6:	10.1	↓
7:	10.4	↗
8:	10.0	↖
9:	10.5	↑
10:	9.8	↖
Serie		98
Total		98



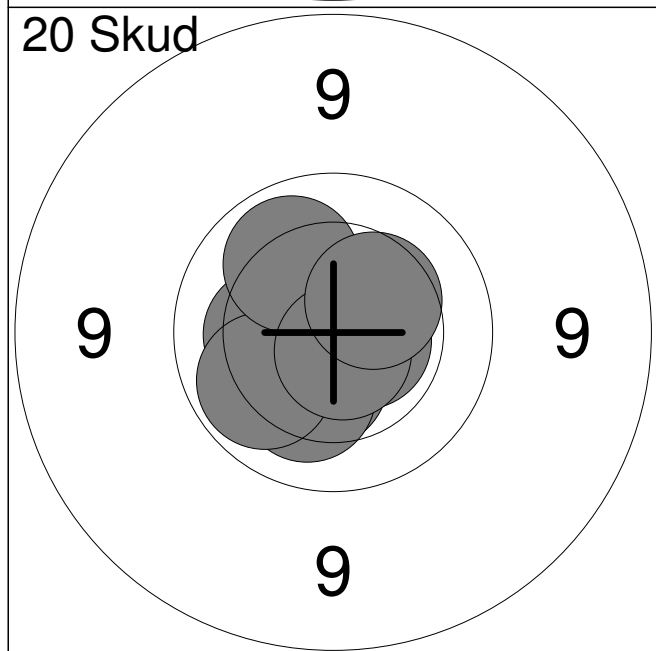
11:	10.7x	→
12:	10.1	←
13:	9.8	→
14:	10.2	↓
15:	10.6x	←
16:	9.9	↗
17:	9.9	↓
18:	10.9x	↗
19:	10.6x	←
20:	10.7x	↖
Serie		97
Total		195



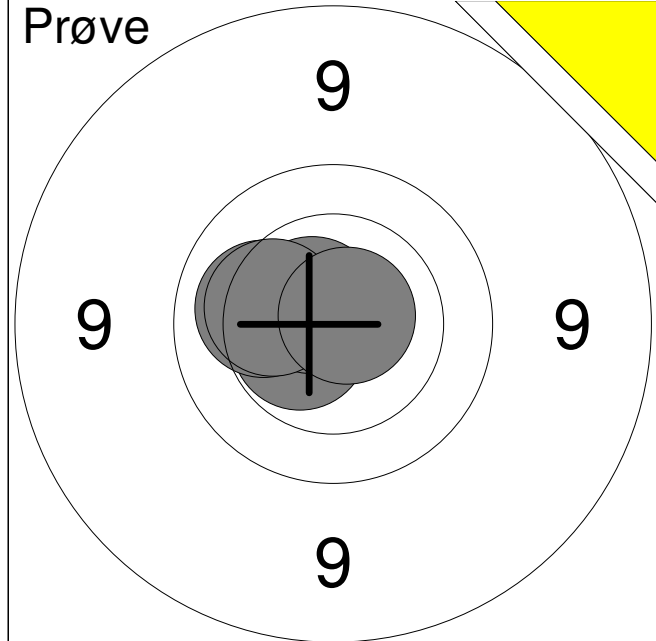
1:	10.2	↘
2:	9.3	↘
3:	9.4	←
4:	10.5x	↓
5:	10.5x	←
6:	10.2	↘
7:	10.6x	↘
8:	10.4	↗
9:	10.2	↘
10:	10.7x	↗
Serie		98
Total		0



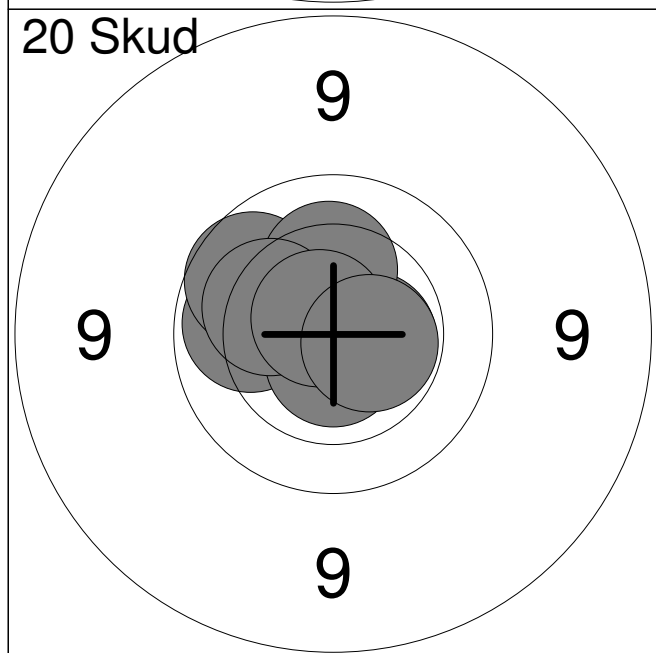
1:	10.8x	↗
2:	10.3	←
3:	10.2	↘
4:	9.5	↗
5:	9.9	←
6:	10.7x	↗
7:	10.7x	←
8:	10.6x	↗
9:	9.6	↗
10:	10.7x	↗
Serie		97
Total		97



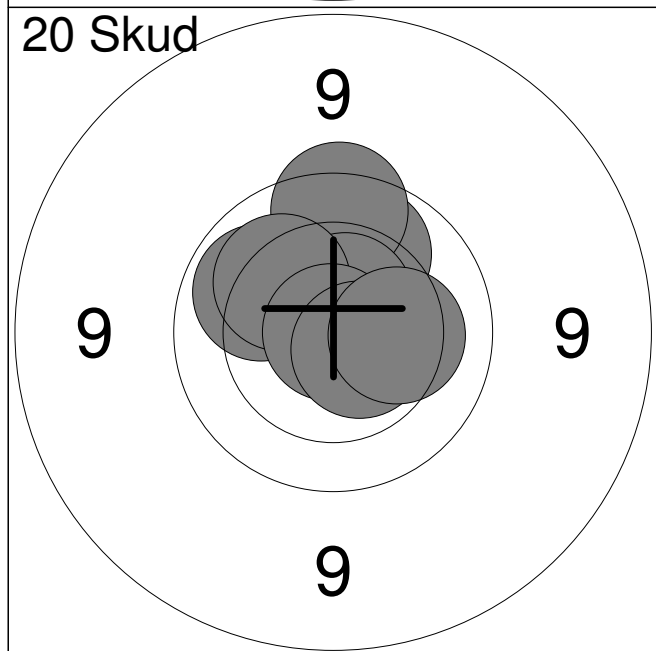
11:	10.4	↘
12:	10.6x	→
13:	10.2	↘
14:	10.7x	←
15:	10.7x	↗
16:	10.3	←
17:	10.0	←
18:	10.1	↗
19:	10.7x	↘
20:	10.4	↗
Serie		100
Total		197



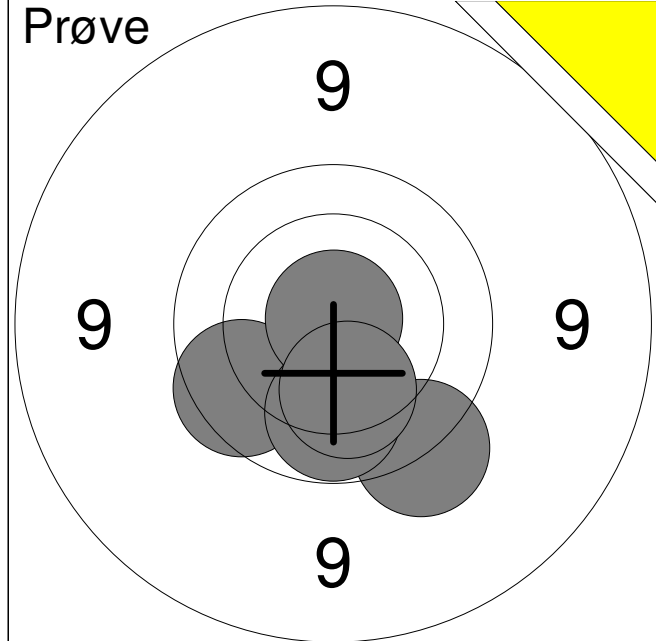
1:	10.5x	↙
2:	10.2	↙
3:	10.6x	↗
4:	10.3	↙
5:	10.8x	↗
Serie		50
Total		0



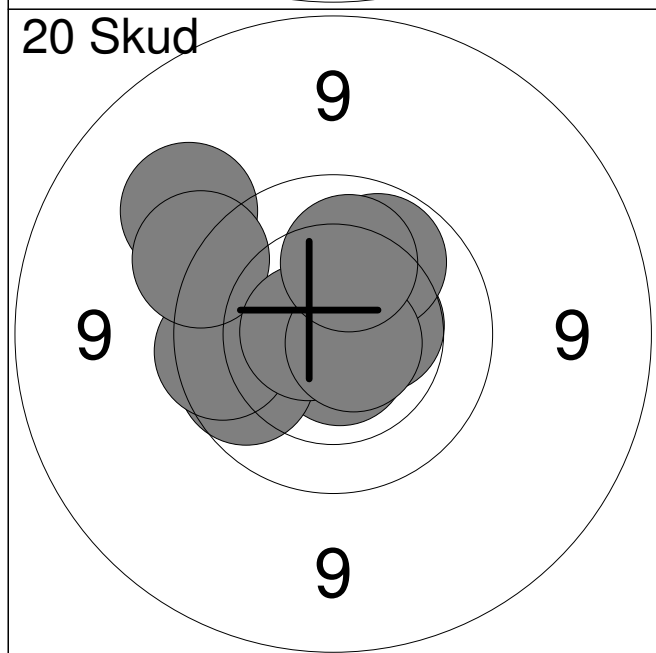
1:	10.7x	↗
2:	10.6x	→
3:	10.0	↙
4:	10.7x	↓
5:	10.5x	↗
6:	9.9	↗
7:	10.2	↑
8:	10.2	↙
9:	10.7x	↗
10:	10.5x	→
Serie		99
Total		99



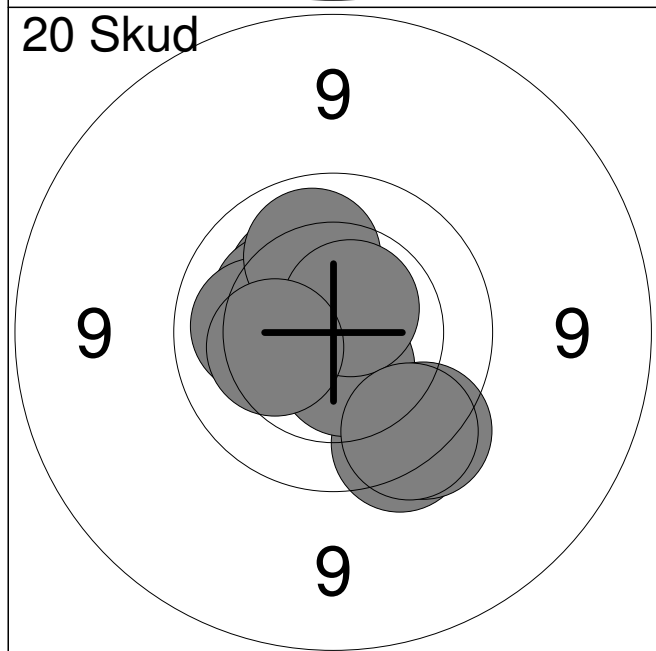
11:	10.7x	→
12:	10.0	↙
13:	10.0	↑
14:	9.8	↑
15:	10.7x	↗
16:	10.6x	↗
17:	10.2	↗
18:	10.9x	↙
19:	10.6x	↘
20:	10.2	→
Serie		99
Total		198



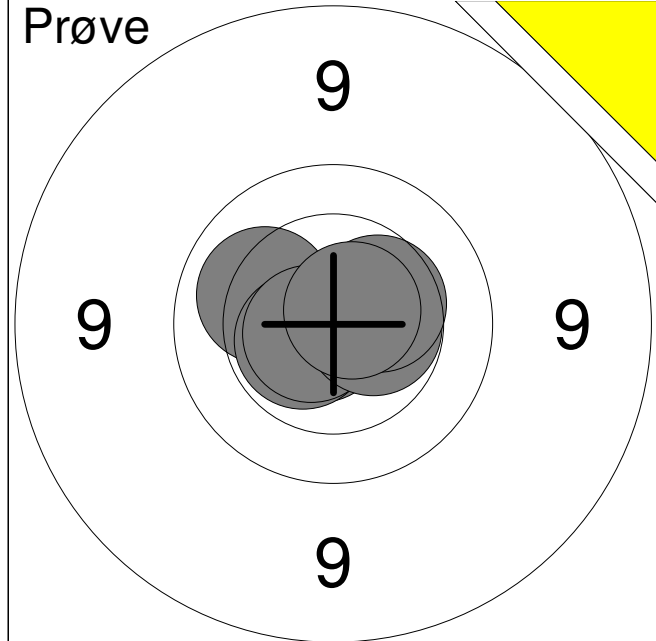
1:	9.6	↘
2:	9.8	↙
3:	10.9x	↑
4:	10.0	↓
5:	10.2	↘
Serie		48
Total		0



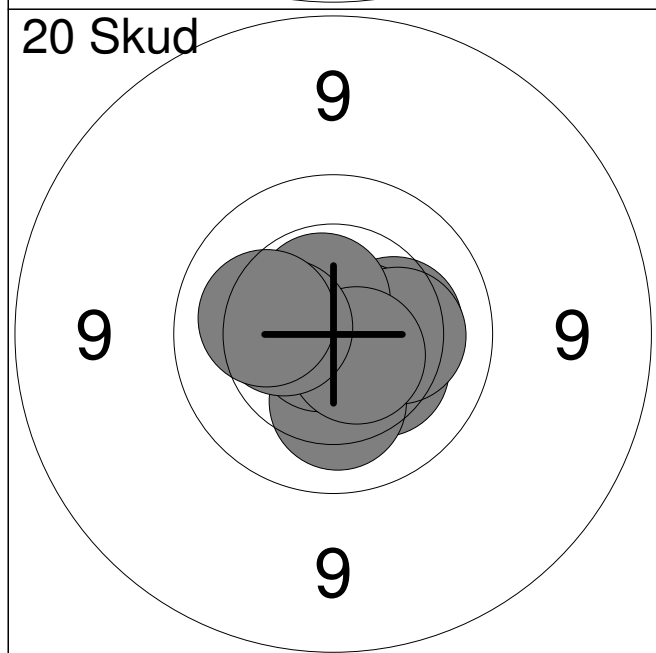
1:	10.5	→
2:	10.0	↗
3:	9.3	↗
4:	10.7x	↓
5:	9.9	↙
6:	9.8	↙
7:	9.6	↗
8:	10.7x	↙
9:	10.7x	↘
10:	10.1	↑
Serie		96
Total		96



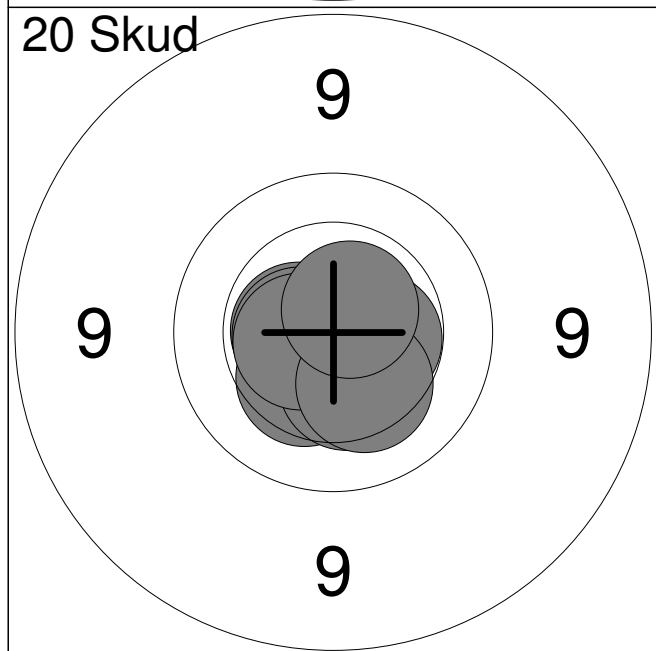
11:	10.3	↗
12:	9.7	↓
13:	10.3	↗
14:	10.1	↙
15:	10.1	↑
16:	10.5x	↓
17:	10.6x	↗
18:	9.7	↘
19:	9.7	↘
20:	10.3	↙
Serie		97
Total		193



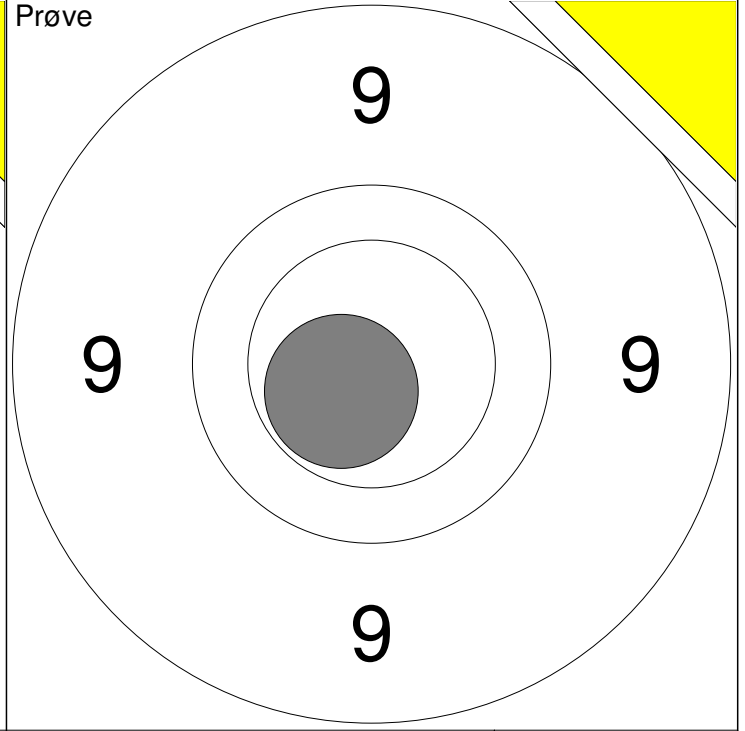
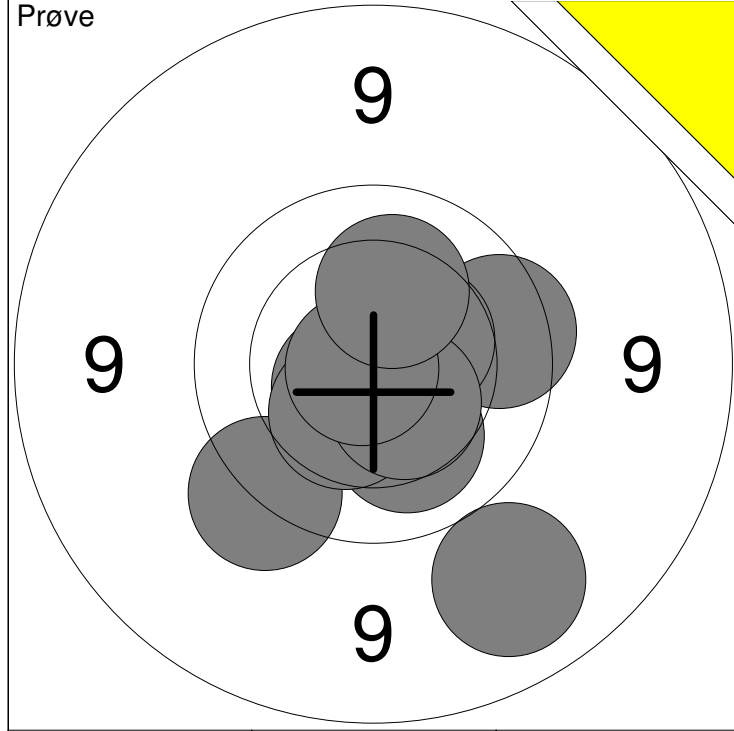
1:	10.8x	↙
2:	10.1	↖
3:	10.6x	↙
4:	10.7x	↙
5:	10.5x	→
6:	10.4	↗
7:	10.7x	↗
Serie		70
Total		0



1:	10.3	↘
2:	10.2	↓
3:	10.8x	↙
4:	10.3	→
5:	10.7x	→
6:	10.2	→
7:	10.6x	↗
8:	10.6x	↘
9:	10.4	↖
10:	10.2	↖
Serie		100
Total		100

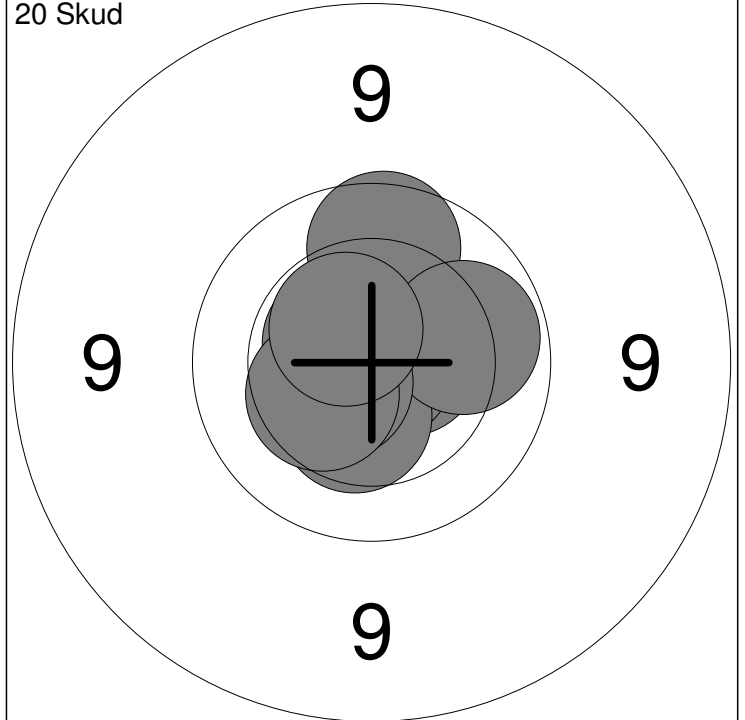
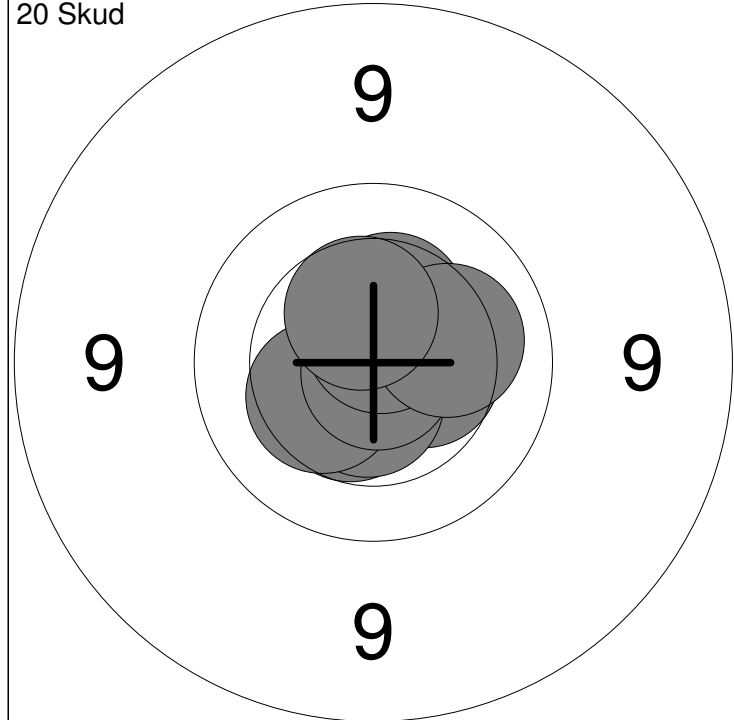


11:	10.4	↘
12:	10.9x	→
13:	10.6x	↖
14:	10.4	↘
15:	10.6x	↖
16:	10.5x	→
17:	10.9x	↗
18:	10.6x	↖
19:	10.3	↘
20:	10.6x	↗
Serie		100
Total		200



1: 9.6 ↙	6: 9.8 →	Serie 97
2: 9.1 ↘	7: 10.5 →	
3: 10.6x ↙	8: 10.5 ↘	Total 0
4: 10.2 ↘	9: 10.8x ←	
5: 10.4 ↙	10: 10.2 ↑	

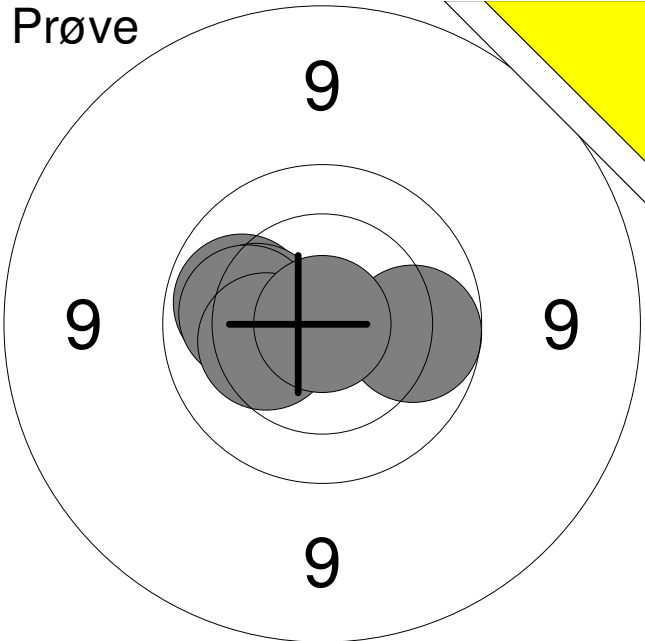
11: 10.5x ↙	Serie 10
	Total 0



1: 10.4 ↑	6: 10.4 ←	Serie 100
2: 10.5 →	7: 10.8x ↘	
3: 10.7x ↑	8: 10.7x ↑	Total 100
4: 10.5 ↘	9: 10.2 →	
5: 10.6x ↘	10: 10.5 ↑	

11: 10.6x →	16: 10.0 →	Serie 99
12: 10.8x ←	17: 10.6x ↙	
13: 10.9x ↘	18: 10.5x ←	Total 199
14: 9.9 ↑	19: 10.4 ←	
15: 10.4 ↘	20: 10.5x ↙	

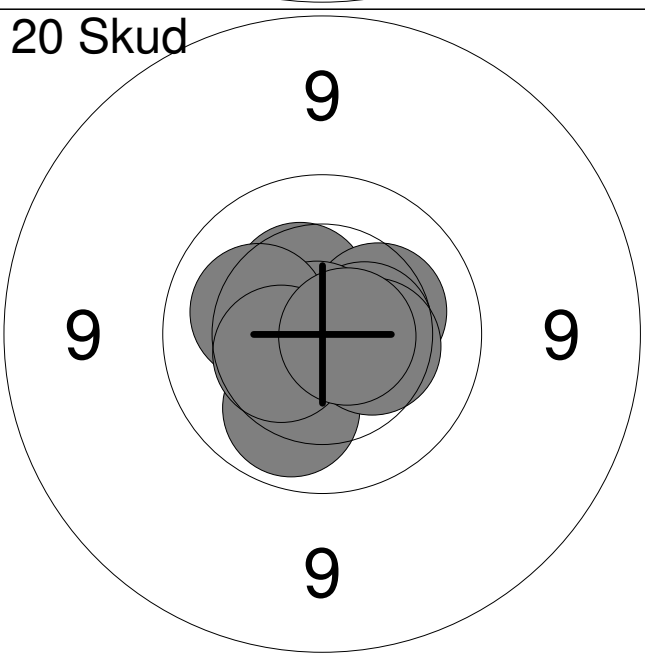
Prøve



1:	10.0	←
2:	10.2	←
3:	10.1	←
4:	10.3	←
5:	9.9	→
6:	10.9x	←

Serie	59
Total	0

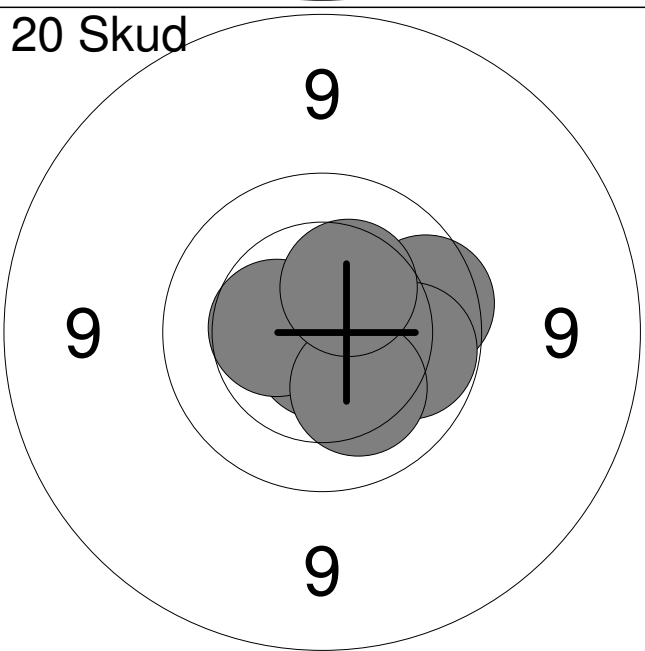
20 Skud



1:	10.6x	↗
2:	10.4	↗
3:	10.3	→
4:	10.5	→
5:	10.9x	↗
6:	10.2	↖
7:	10.1	↓
8:	10.4	←
9:	10.4	→
10:	10.7x	→

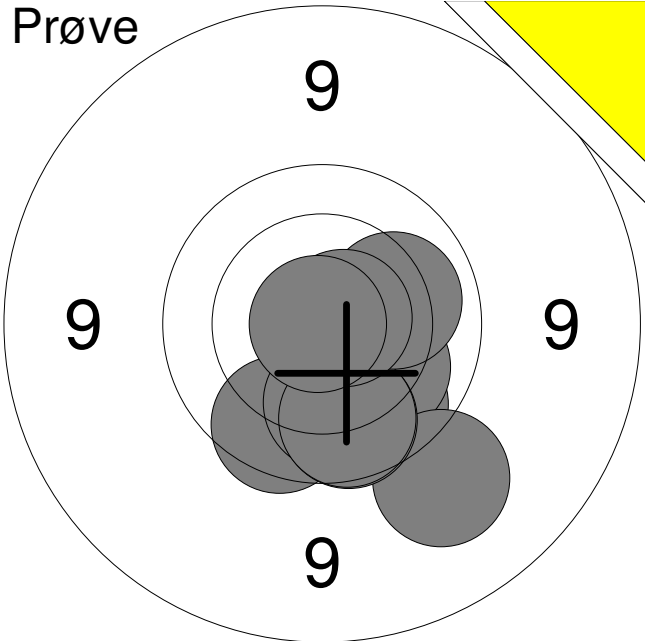
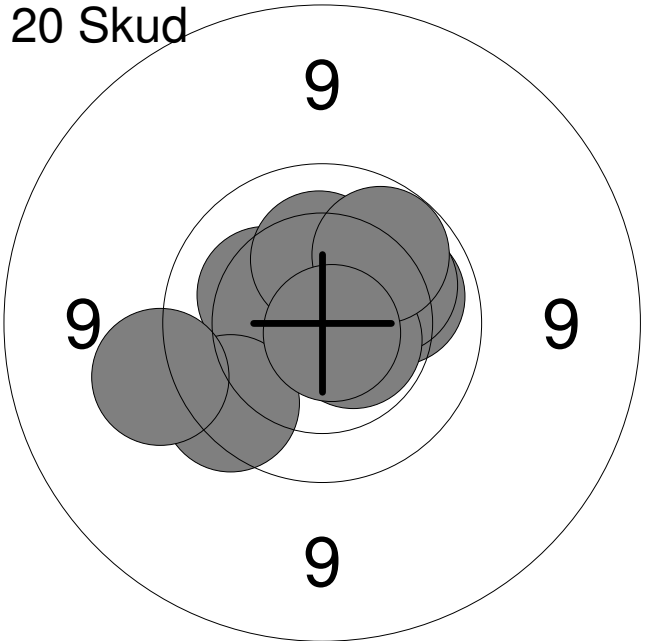
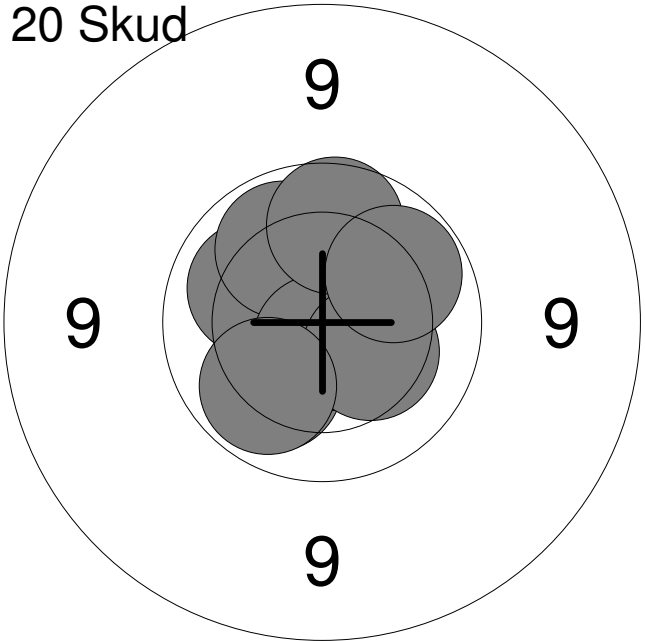
Serie	100
Total	100

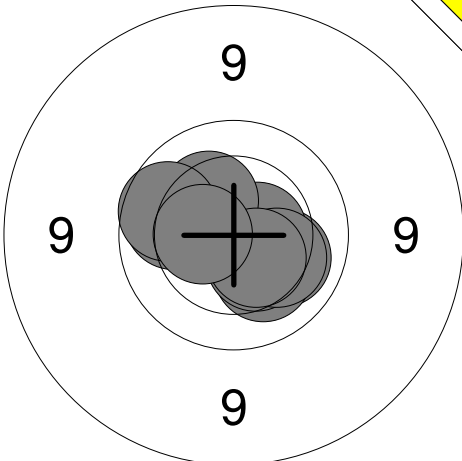
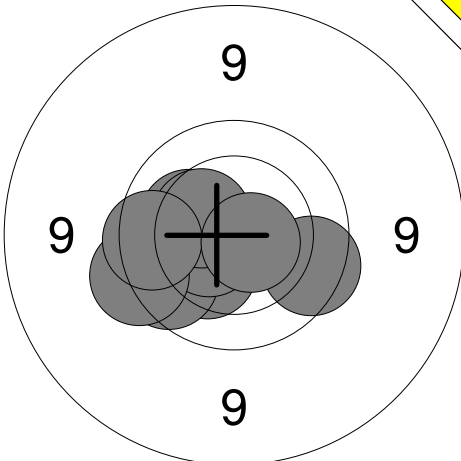
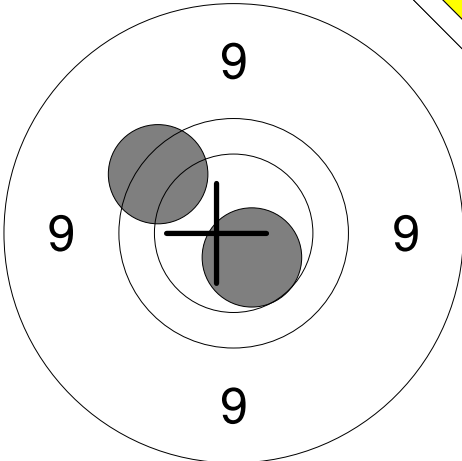
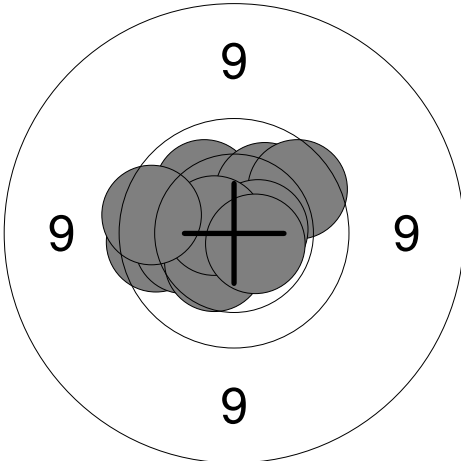
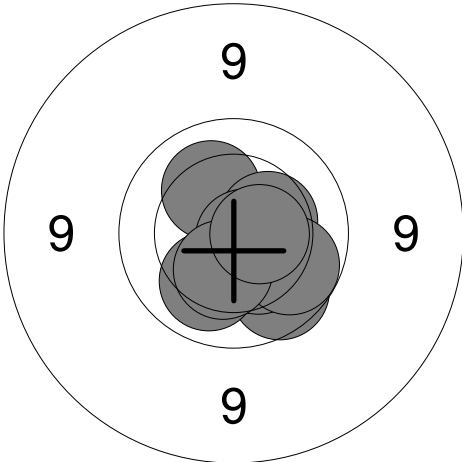
20 Skud

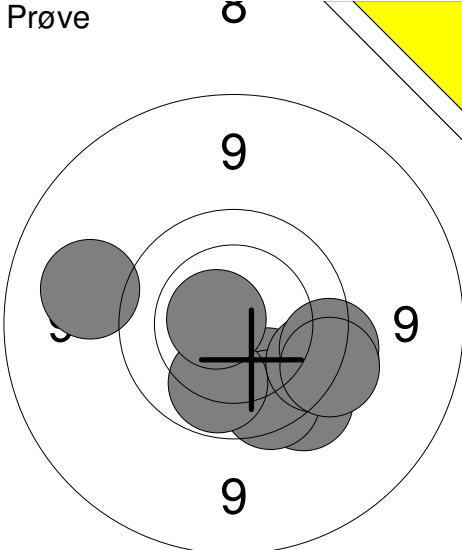
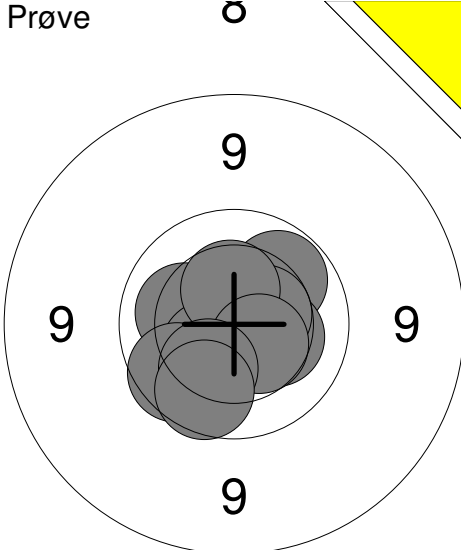
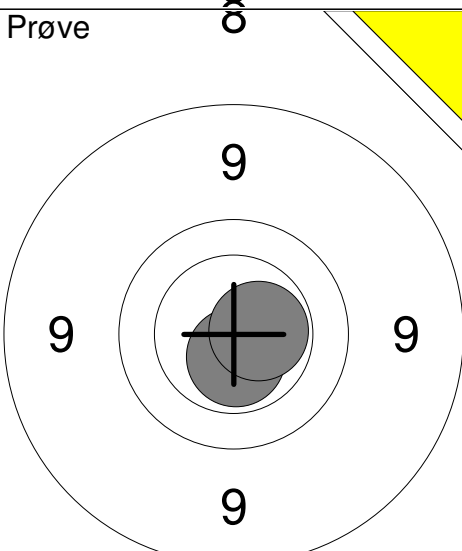
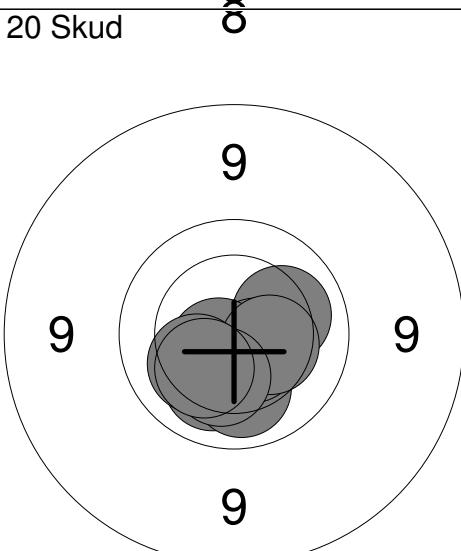
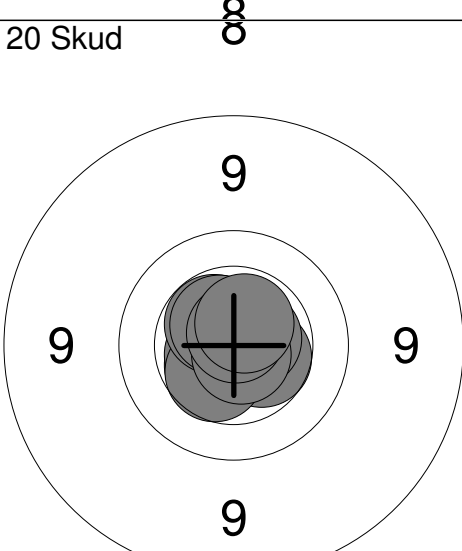


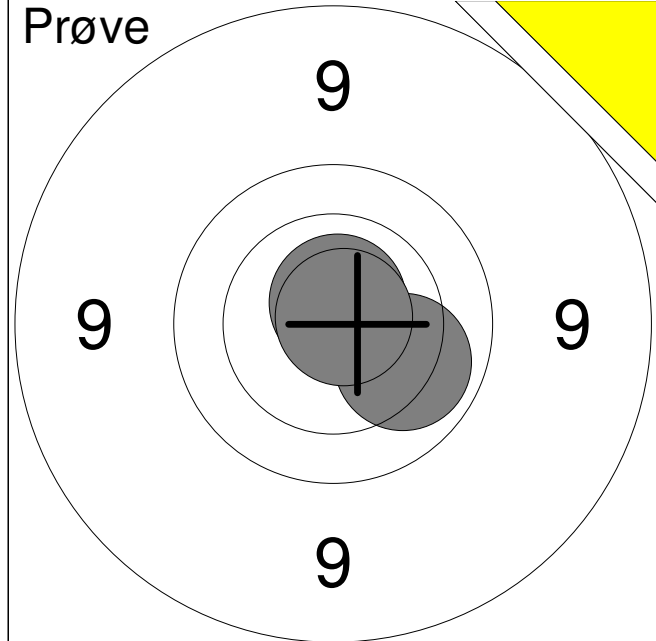
11:	10.7x	→
12:	10.1	→
13:	10.9x	←
14:	10.5x	↘
15:	10.7x	↓
16:	9.8	→
17:	10.4	←
18:	10.0	→
19:	10.2	↘
20:	10.4	↗

Serie	99
Total	199

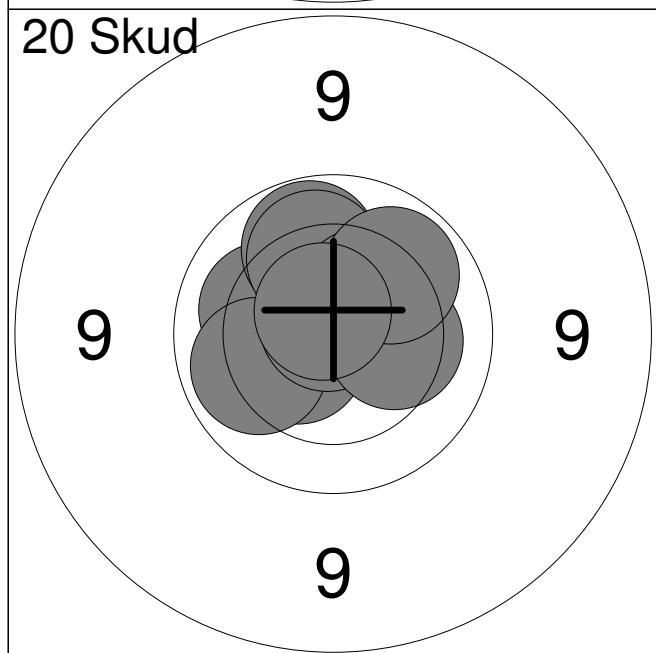
Hold 80	Skive 3	Rasmus Greth Sørensen		
Aalborg		Skytteforening Kimbrene		J2
02.02.2018		Nordjysk mesterskab 2018		Aalborg Skyttekreds
Prøve				
		1:	9.9	↘
		2:	10.1	↘
		3:	9.3	↘
		4:	9.8	↘
		5:	10.1	↘
		6:	9.9	↘
		7:	9.9	↘
		8:	10.1	→
		9:	10.7x	→
		10:	10.9x	←
		Serie		95
		Total		0
20 Skud				
		1:	10.1	→
		2:	10.4	↑
		3:	10.3	↖
		4:	10.2	↑
		5:	10.1	→
		6:	9.8	↘
		7:	10.6x	↘
		8:	9.4	←
		9:	10.0	↗
		10:	10.8x	↘
		Serie		98
		Total		98
20 Skud				
		11:	10.3	↑
		12:	10.1	↘
		13:	10.5x	↗
		14:	10.1	↖
		15:	10.0	↗
		16:	10.7x	↘
		17:	10.3	↘
		18:	10.0	↘
		19:	9.9	↑
		20:	10.0	↗
		Serie		99
		Total		197

Hold	Skive	Mille Marie Frederiksen	
80	6	Aalborg	Sæby og omegns skytteforening
02.02.2018	Nordjysk mesterskab 2018	Aalborg Skyttekreds	MJ2
Prøve	0	Prøve	0
	1: 10.1 ↘ 2: 10.2 ↓ 3: 10.6x → 4: 10.3 ↗ 5: 10.0 ← 6: 10.4 ↓ 7: 10.2 ↓ 8: 10.5 ↓ 9: 9.9 ← 10: 10.5 ←		11: 10.3 ← 12: 10.2 ← 13: 10.3 ↓ 14: 9.8 ← 15: 9.8 → 16: 10.5x ← 17: 9.6 ← 18: 10.4 ← 19: 9.8 ← 20: 10.7x →
	Serie 99		Serie 96
	Total 0		Total 0
Prøve	0	20 Skud	0
	21: 9.7 ↗ 22: 10.5 ↓		1: 10.1 ↗ 2: 9.8 ← 3: 10.2 ↗ 4: 9.9 ↗ 5: 10.2 ← 6: 10.4 ↓ 7: 10.6x → 8: 10.6x ← 9: 10.6x → 10: 9.8 ←
	Serie 19		Serie 97
	Total 0		Total 97
20 Skud	0		
	11: 10.2 ↗ 12: 10.4 → 13: 9.9 ↓ 14: 10.8x → 15: 10.5 ↓ 16: 10.3 ↓ 17: 10.1 ↓ 18: 10.0 ↓ 19: 10.4 ↓ 20: 10.6x →		
	Serie 99		
	Total 196		

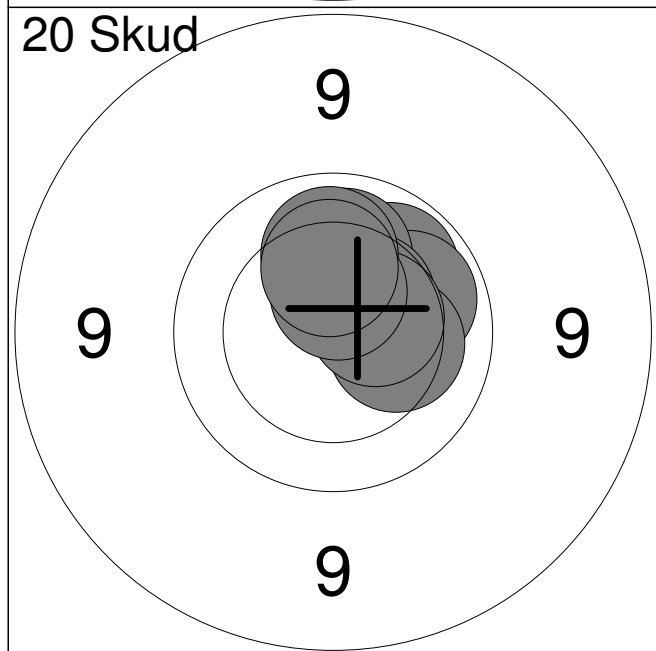
Hold 80	Skive 9	Christian Kjeld			
Aalborg		Sæby og omegns skytteforening		BK1	
02.02.2018		Nordjysk mesterskab 2018		Aalborg Skyttekreds	
Prøve		1: 10.0 ↘ 2: 9.6 ↘ 3: 9.6 ↘ 4: 9.8 ↘ 5: 9.7 ↘ 6: 9.7 → 7: 9.6 ↘ 8: 9.2 ← 9: 10.0 ↘ 10: 10.7x ←	Prøve		11: 10.2 ← 12: 10.0 ↗ 13: 10.4 ↘ 14: 10.3 → 15: 9.9 ↘ 16: 10.5x → 17: 10.4 ↑ 18: 10.5 ↘ 19: 10.2 ↘ 20: 9.9 ↘
		Serie 93		Serie 98	
		Total 0		Total 0	
Prøve		21: 10.6x ↘ 22: 10.6x →	20 Skud		1: 10.2 ↘ 2: 10.2 → 3: 10.6x ↘ 4: 10.1 ↘ 5: 10.6x ↘ 6: 10.6x ↘ 7: 10.4 → 8: 10.2 ↘ 9: 10.3 ↘ 10: 10.3 ↘
		Serie 20		Serie 100	
		Total 0		Total 100	
20 Skud		11: 10.5 → 12: 10.5x ↘ 13: 10.7x → 14: 10.6x ↘ 15: 10.4 ↘ 16: 10.5x ↗ 17: 10.6x ↗ 18: 10.8x ↘ 19: 10.8x ↑ 20: 10.6x ↗			
		Serie 100			
		Total 200			



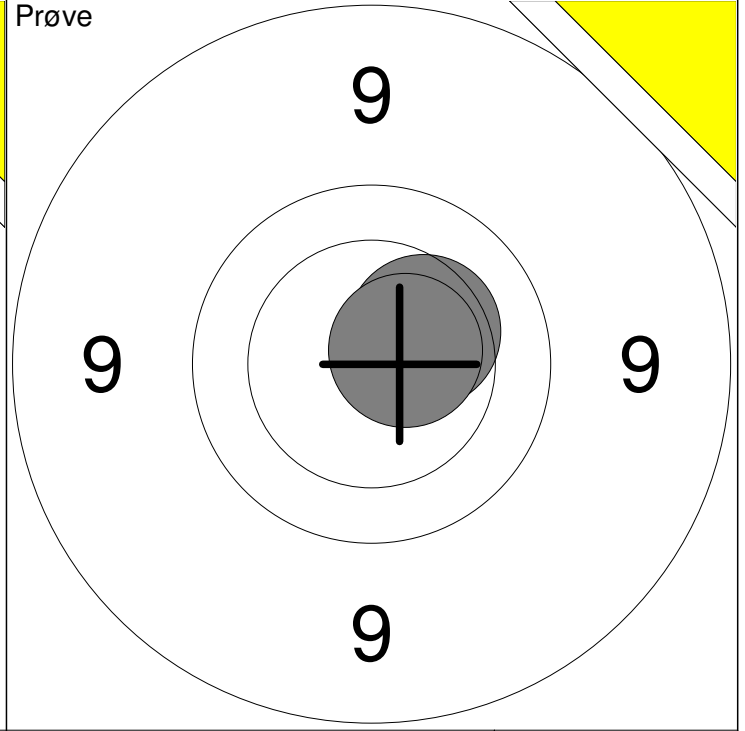
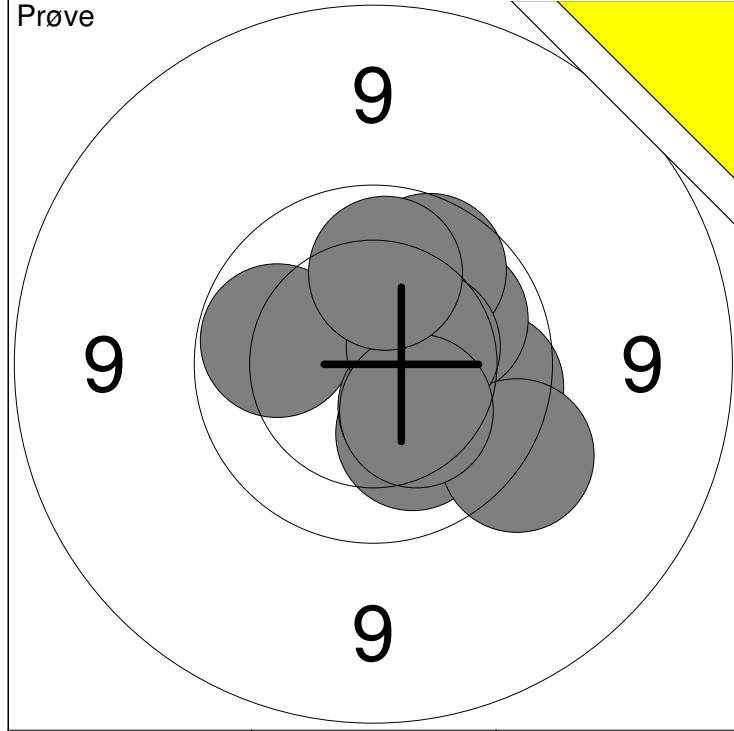
1:	10.1	↘
2:	10.7x	↑
3:	10.8x	↗
Serie		30
Total		0



1:	10.5x	↙
2:	10.2	↖
3:	10.1	↖
4:	10.0	↑
5:	10.1	↑
6:	10.8x	↗
7:	10.4	↗
8:	10.3	→
9:	10.0	↗
10:	10.7x	↑
Serie		100
Total		100

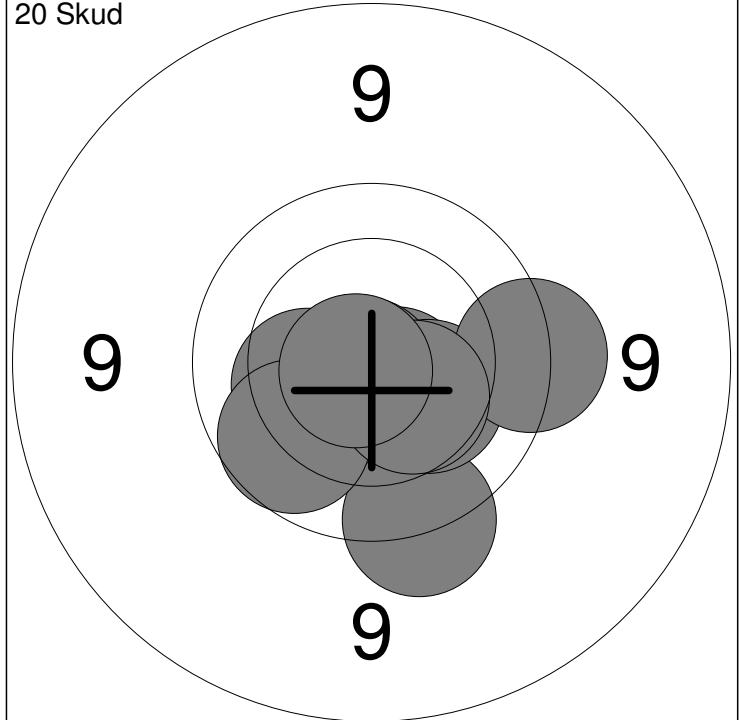
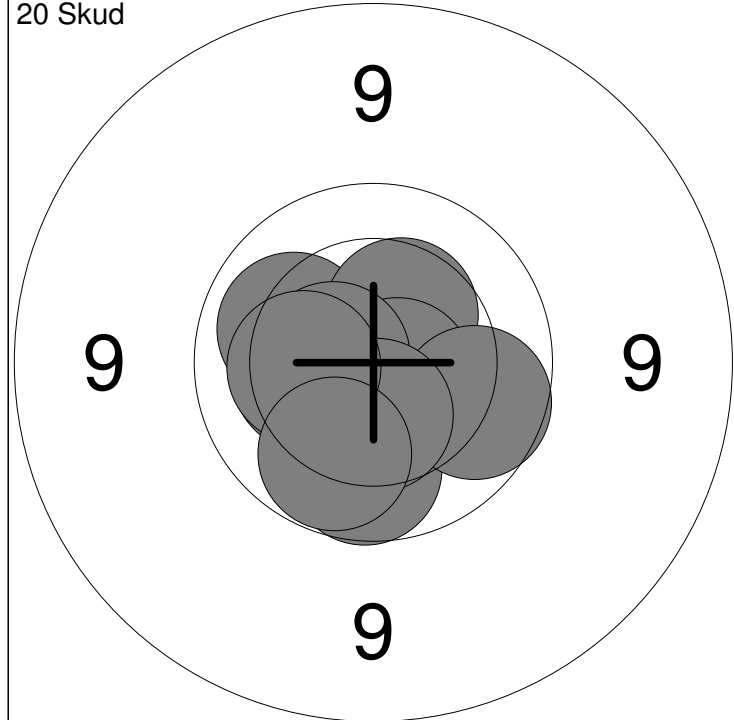


11:	10.0	↗
12:	10.1	↗
13:	10.4	↑
14:	10.1	↑
15:	10.2	→
16:	10.4	↗
17:	10.5	→
18:	10.1	↑
19:	10.5x	↑
20:	10.2	↑
Serie		100
Total		200



1: 10.0 ←	6: 9.6 ↘	Serie 97
2: 10.2 ↘	7: 9.9 ↗	
3: 9.9 →	8: 10.4 →	Total 0
4: 10.1 ↗	9: 10.3 ↘	
5: 10.4 ↘	10: 10.1 ↑	

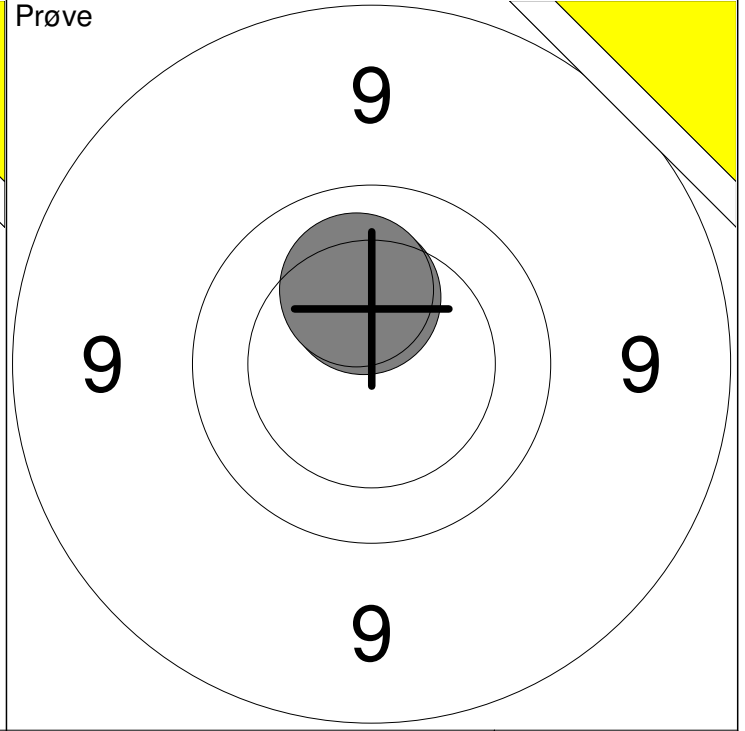
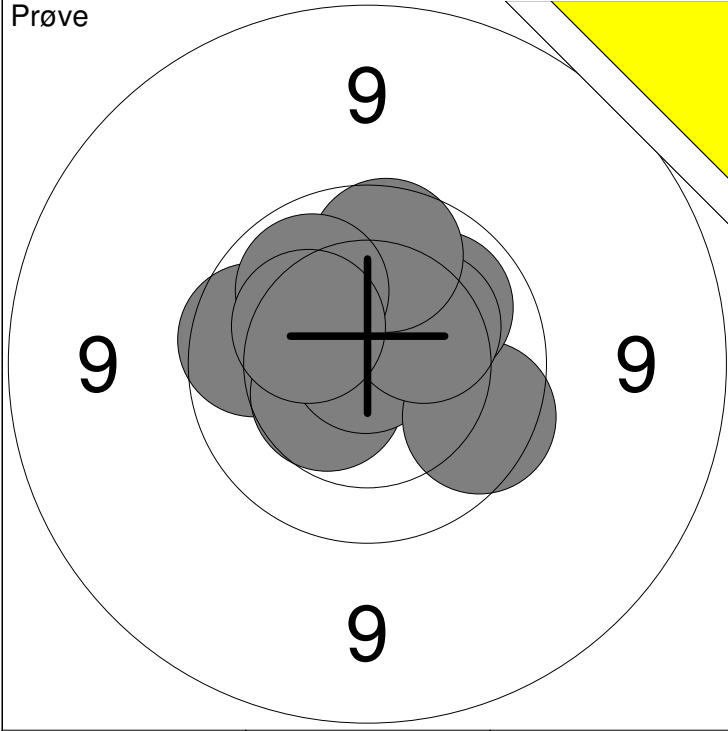
11: 10.4 ↗	Serie 20
12: 10.6x ↗	
	Total 0



1: 10.1 ↗	6: 9.9 →	Serie 98
2: 10.3 ←	7: 10.6x ←	
3: 9.9 ↓	8: 10.4 ↓	Total 98
4: 10.4 ↗	9: 10.3 ←	
5: 10.7x →	10: 10.0 ↓	

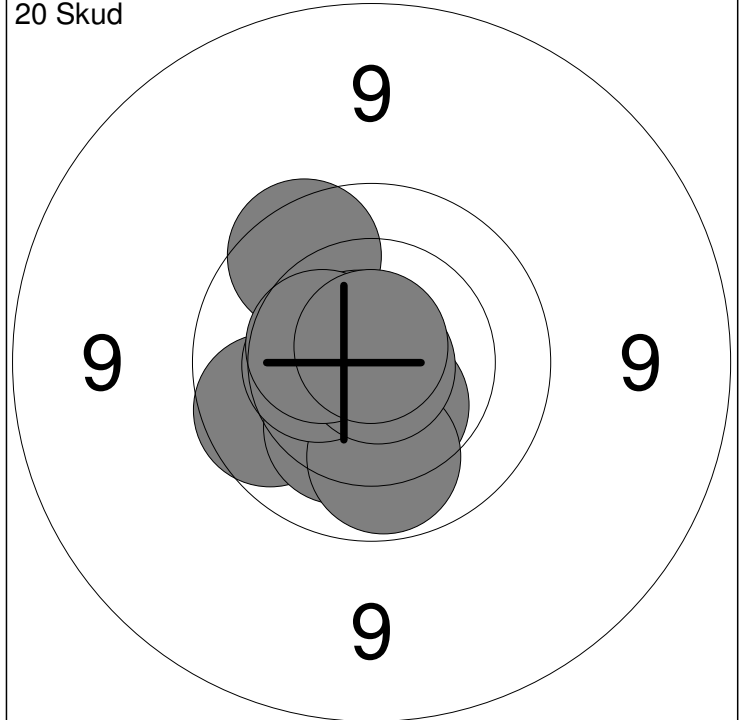
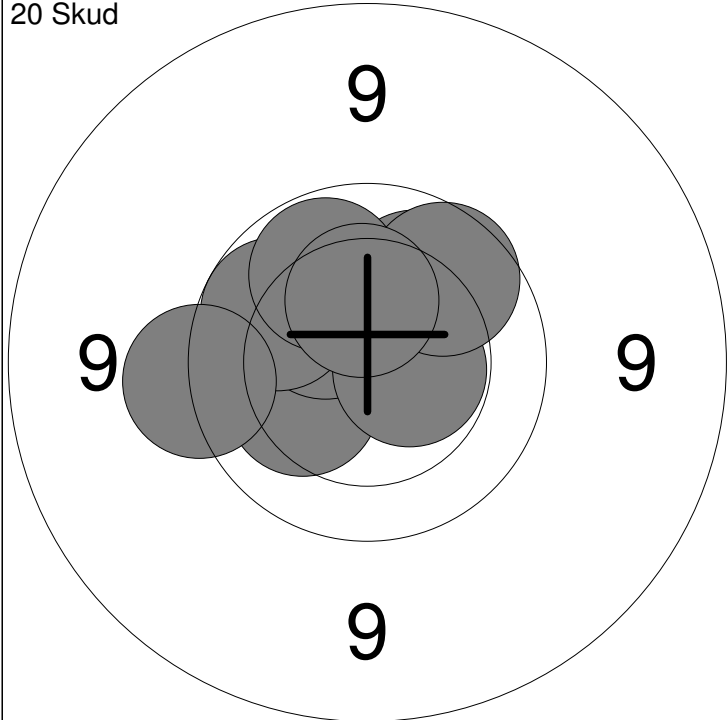
11: 10.3 ←	16: 10.3 ↘	Serie 97
12: 10.6x ↘	17: 9.6 →	
13: 10.8x ↘	18: 9.9 ↘	Total 195
14: 9.6 ↓	19: 10.4 ↘	
15: 10.7x ↘	20: 10.8x ←	

Hold 81	Skive 3	Anna Sofie Bæk		
Aalborg		Sæby og omegns skytteforening		MBK2
02.02.2018		Nordjysk mesterskab 2018		Aalborg Skyttekreds



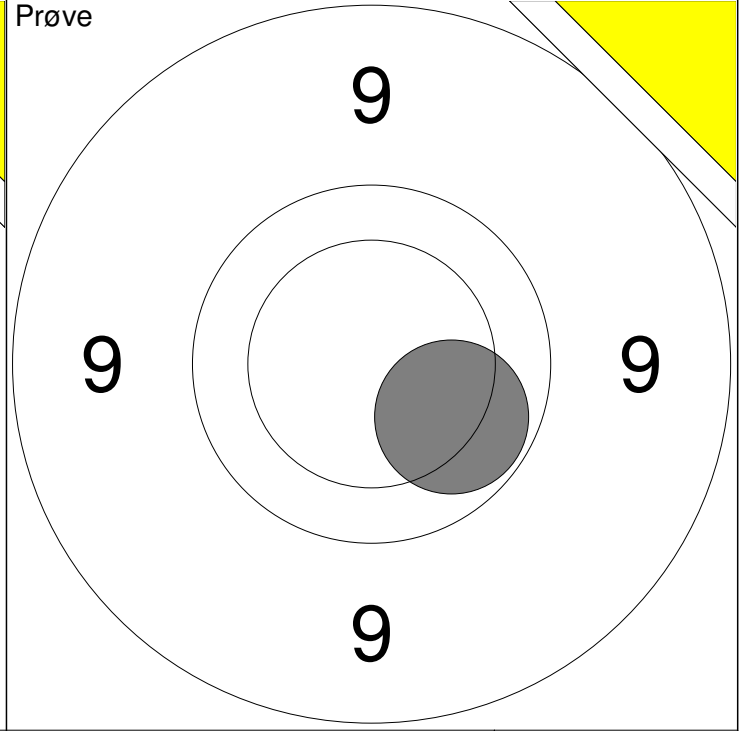
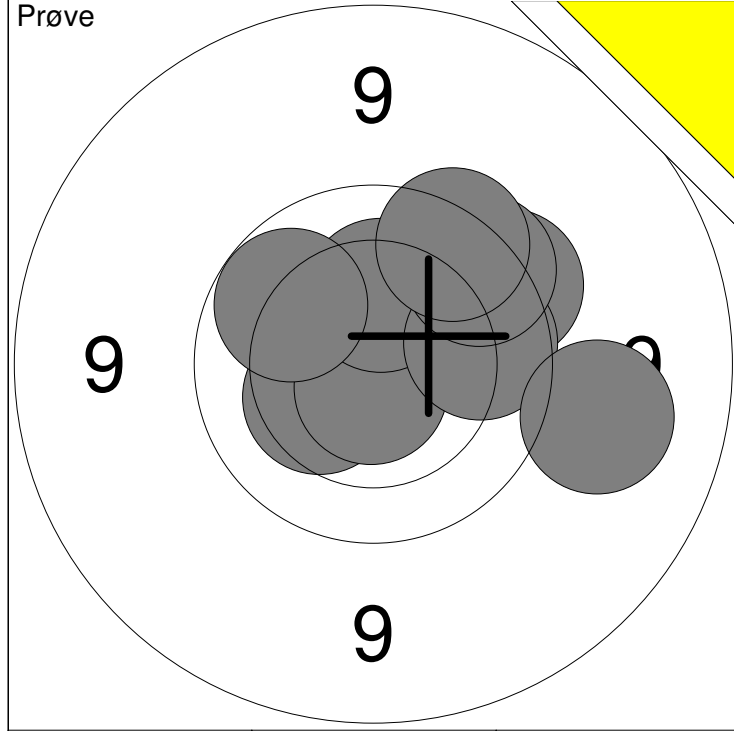
1: 9.9 ←	6: 10.1 ↗	Serie	97
2: 10.5 ↗	7: 10.3 ↗		
3: 10.5 ↙	8: 9.9 ↑	Total	0
4: 10.9x ↑	9: 10.0 ↗		
5: 9.8 →	10: 10.3 ↙		

11: 10.3 ↑	Serie	20
12: 10.2 ↑		
Total		0



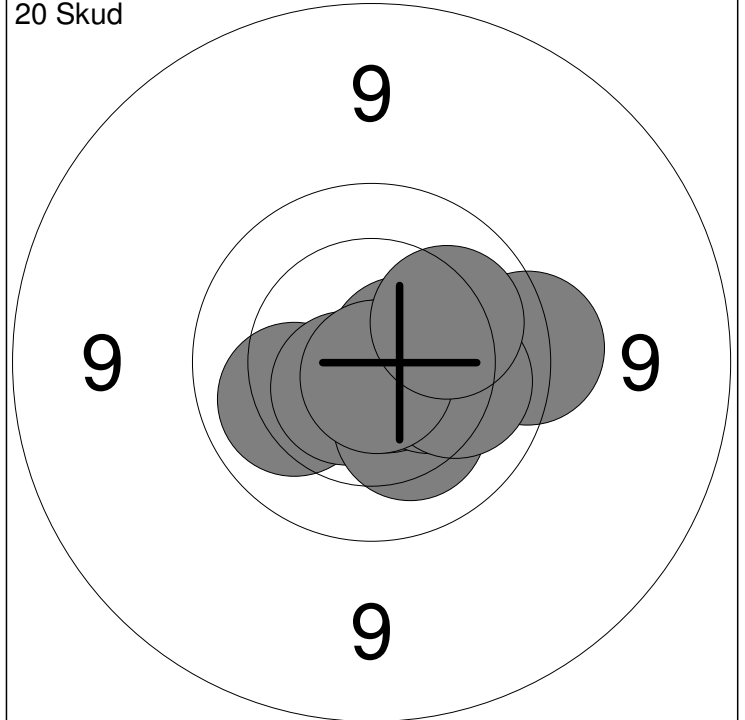
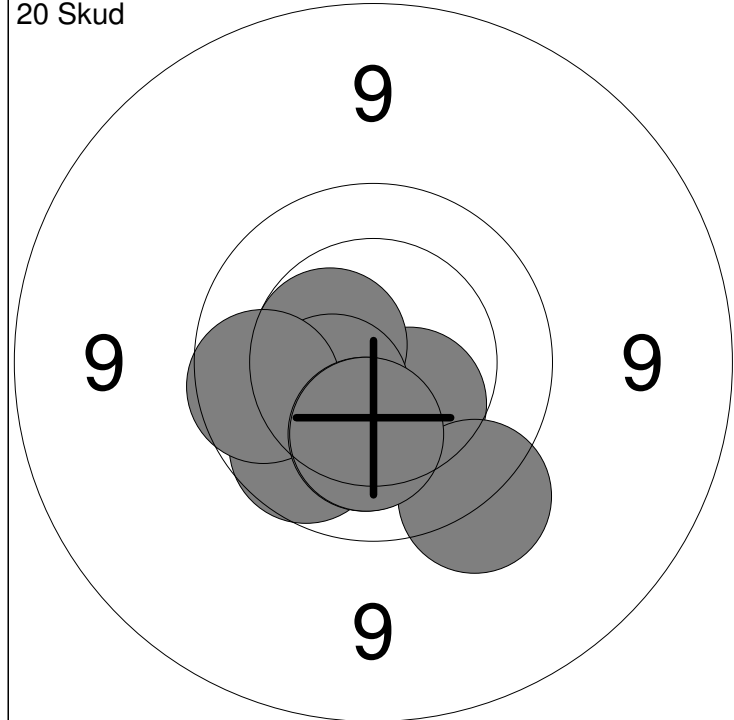
1: 10.1 ↗	6: 9.9 ←	Serie	97
2: 10.7x ←	7: 9.6 ←		
3: 10.2 ↙	8: 9.9 ↗	Total	97
4: 10.4 ↗	9: 10.0 ↑		
5: 10.5x →	10: 10.3 ↑		

11: 9.8 ↗	16: 10.0 ↓	Serie	98
12: 10.8x ↗	17: 10.4 ←		
13: 9.9 ↙	18: 10.9x ↘	Total	195
14: 10.5 ↓	19: 10.4 ←		
15: 10.2 ↘	20: 10.8x ↑		



1: 10.0 ↗	6: 9.9 →	Serie 95
2: 10.3 ↙	7: 9.7 ↗	
3: 10.7x ↓	8: 9.7 ↗	Total 0
4: 10.3 ↑	9: 9.2 →	
5: 9.7 ↗	10: 10.0 ↙	

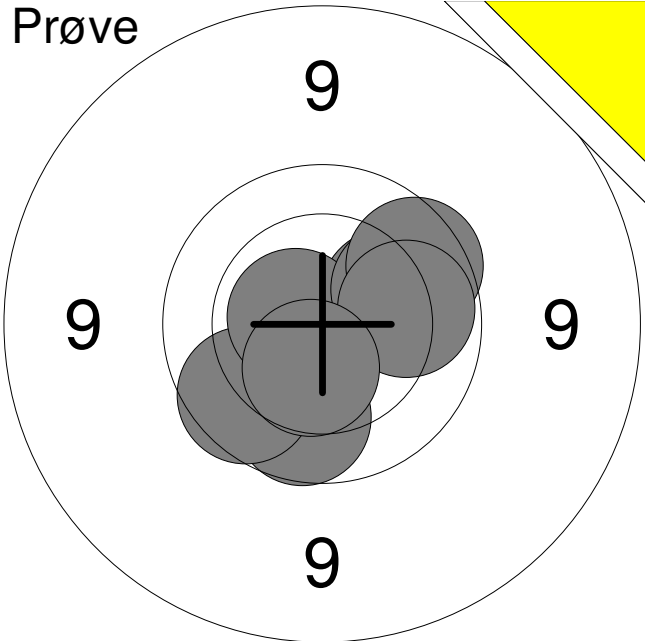
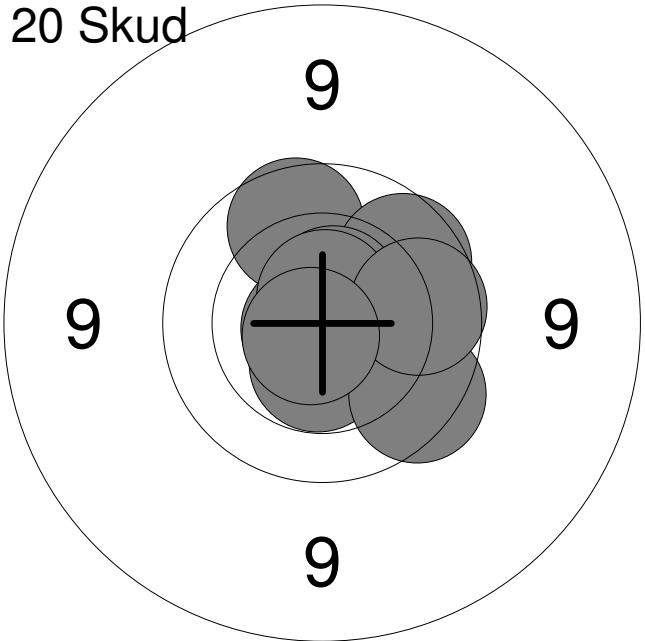
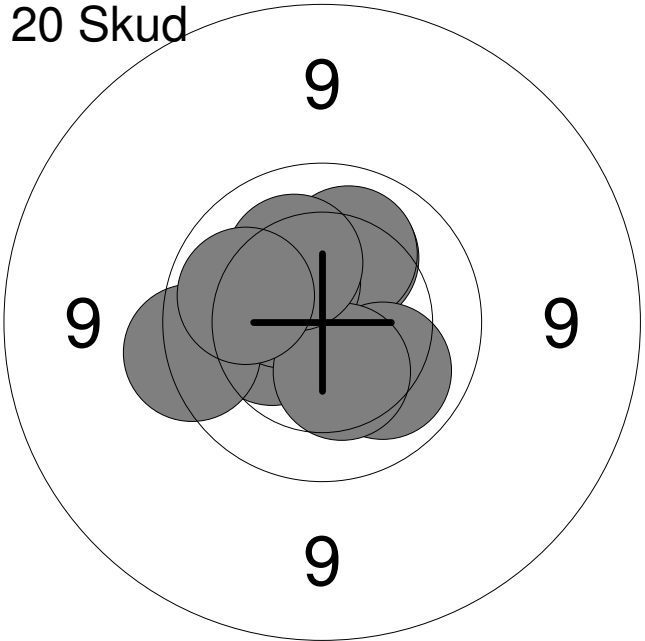
11: 10.0 ↘	Serie 10
	Total 0

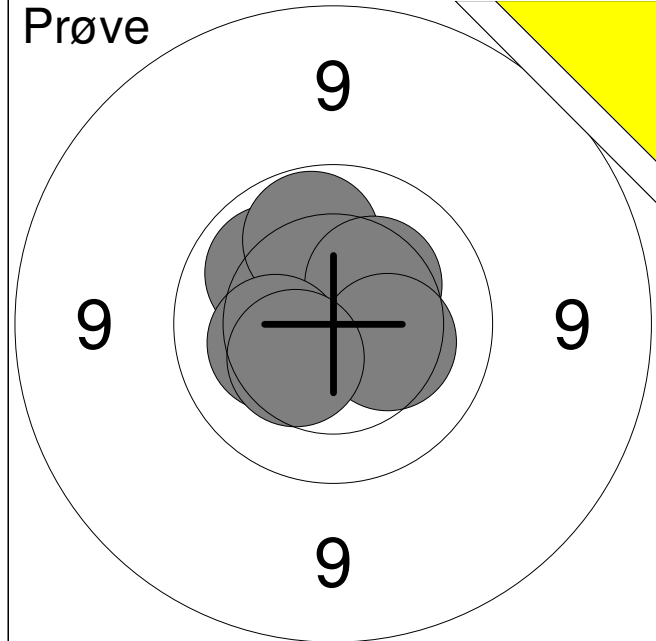


1: 10.4 ↓	6: 9.9 ↙	Serie 97
2: 10.4 ↓	7: 9.9 ↙	
3: 10.5x ↙	8: 10.2 ↓	Total 97
4: 10.0 ↙	9: 9.6 ↓	
5: 10.5 ↙	10: 10.2 ↓	

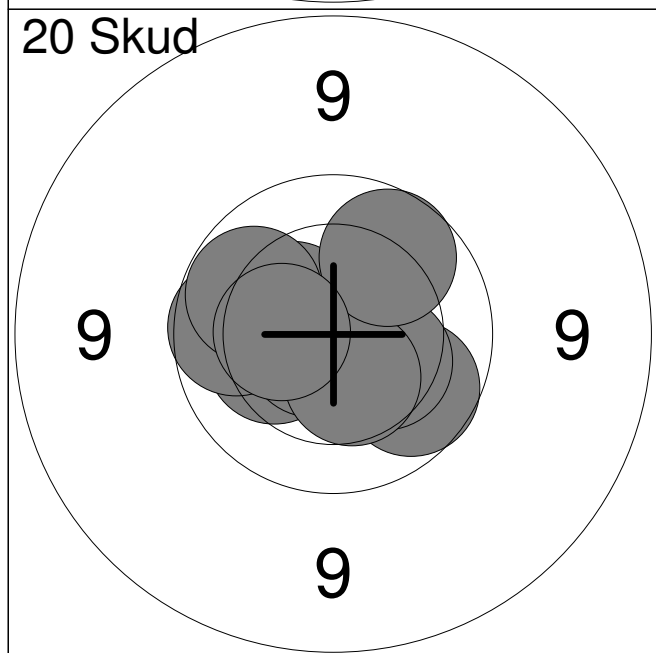
11: 9.6 →	16: 10.8x ↓	Serie 99
12: 10.1 ↙	17: 10.4 →	
13: 10.6x ↙	18: 10.1 →	Total 196
14: 10.6x →	19: 10.8x ↓	
15: 10.2 ↓	20: 10.1 ↗	

Hold 81	Skive 5	Dennis Nielsen		
Aalborg		Sæby og omegns skytteforening		MBK2
02.02.2018		Nordjysk mesterskab 2018		Aalborg Skyttekreds
Prøve 		1: 10.4 ↘ 2: 10.4 → 3: 10.0 ↑ 4: 10.6x ↑ 5: 10.0 ↗ 6: 10.5 ↗ 7: 10.3 ↓ 8: 10.7x ↓		
		Serie		80
		Total		0
20 Skud 		1: 10.3 ↗ 2: 10.8x ↗ 3: 9.8 ↓ 4: 9.6 → 5: 10.6x ↓ 6: 10.0 ↑ 7: 10.0 ↓ 8: 10.8x ← 9: 10.5 ↘ 10: 10.6x ↓		
		Serie		98
		Total		98
20 Skud 		11: 10.6x ↘ 12: 10.7x → 13: 10.1 ↓ 14: 10.4 ↗ 15: 10.3 ← 16: 9.8 ← 17: 10.0 ↓ 18: 10.8x → 19: 9.9 ↘ 20: 10.4 ↓		
		Serie		98
		Total		196

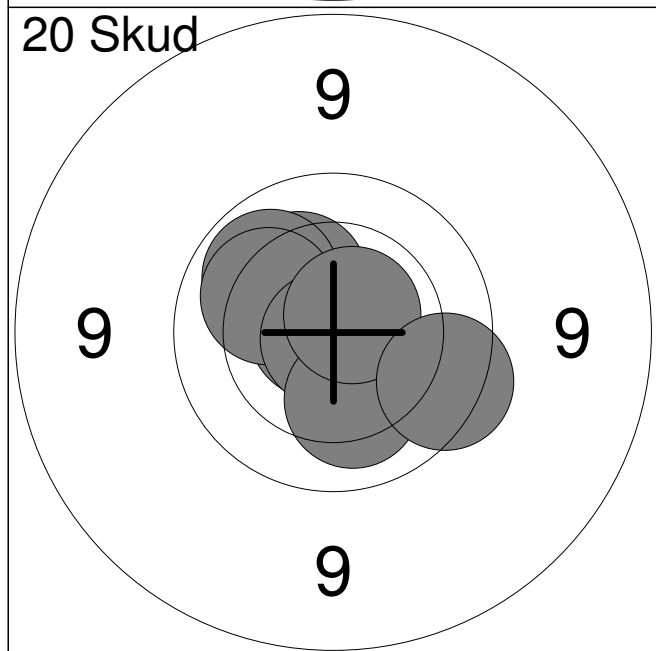
Hold 82	Skive 1	Nicolai Mou Nielsen		
Aalborg		Vodskov Skytteforening		MJ2
02.02.2018		Nordjysk mesterskab 2018		Aalborg Skyttekreds
Prøve 		1: 9.9 2: 9.9 3: 10.2 4: 10.7x 5: 10.0 6: 9.8 7: 10.0 8: 10.5	↓ ↙ → ← → ↗ → ↓	
		Serie		77
		Total		0
20 Skud 		1: 9.9 2: 10.5x 3: 9.9 4: 10.8x 5: 9.8 6: 10.8x 7: 10.6x 8: 10.7x 9: 9.9 10: 10.8x	↑ ↓ ↗ ↑ ↘ ← ↑ ↑ → ↘	
		Serie		96
		Total		96
20 Skud 		11: 10.4 12: 10.5 13: 10.2 14: 10.1 15: 10.1 16: 10.4 17: 9.7 18: 10.4 19: 10.2 20: 10.1	← ↗ ↑ ↑ ↘ ↗ ← ↓ ↑ ←	
		Serie		99
		Total		195



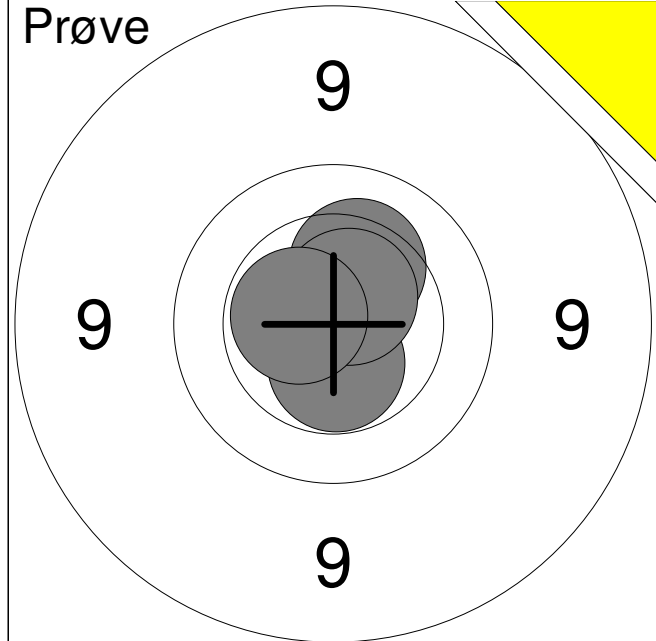
1:	10.7x	↑
2:	10.1	↗
3:	10.0	↑
4:	10.3	↗
5:	10.3	←
6:	10.3	→
7:	10.4	↙
Serie		70
Total		0



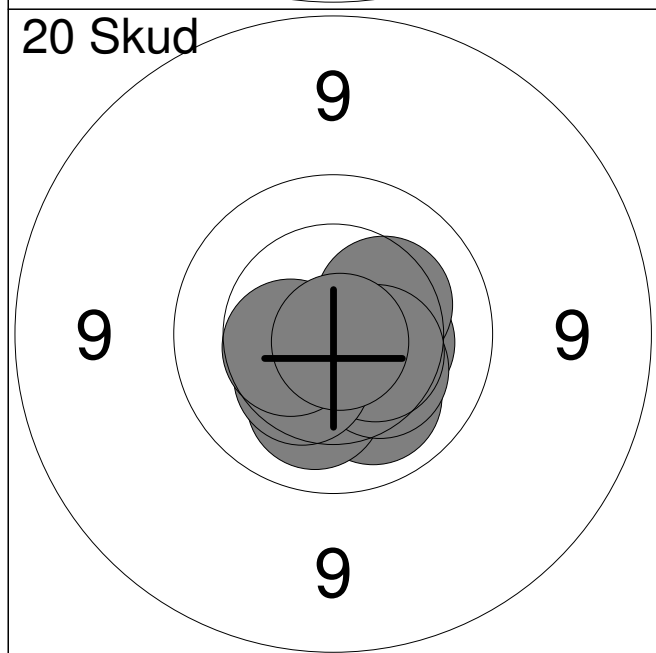
1:	10.3	←
2:	9.9	←
3:	10.7x	↙
4:	9.9	↘
5:	10.3	↘
6:	10.4	↗
7:	10.4	↘
8:	9.9	↗
9:	10.0	↗
10:	10.4	←
Serie		97
Total		97



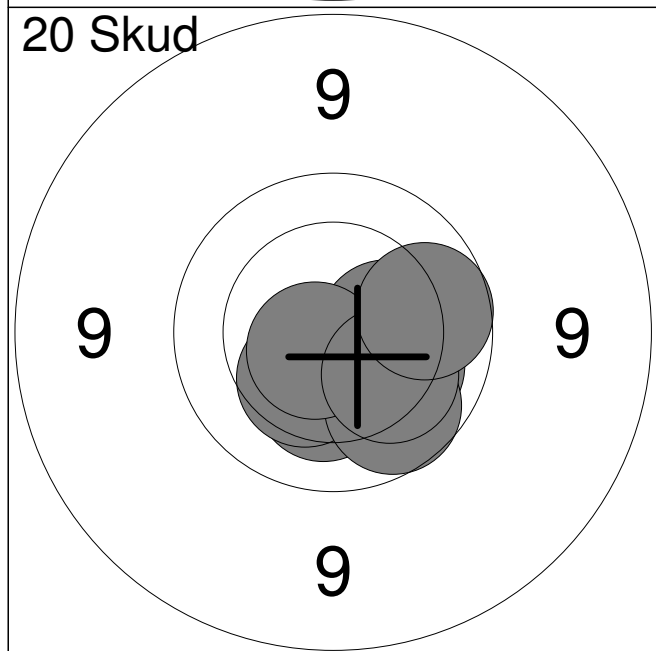
11:	10.4	↘
12:	10.5	↗
13:	10.3	↗
14:	10.8x	←
15:	10.0	↗
16:	10.1	↗
17:	10.9x	↘
18:	10.2	↘
19:	10.7x	↗
20:	9.7	↘
Serie		99
Total		196



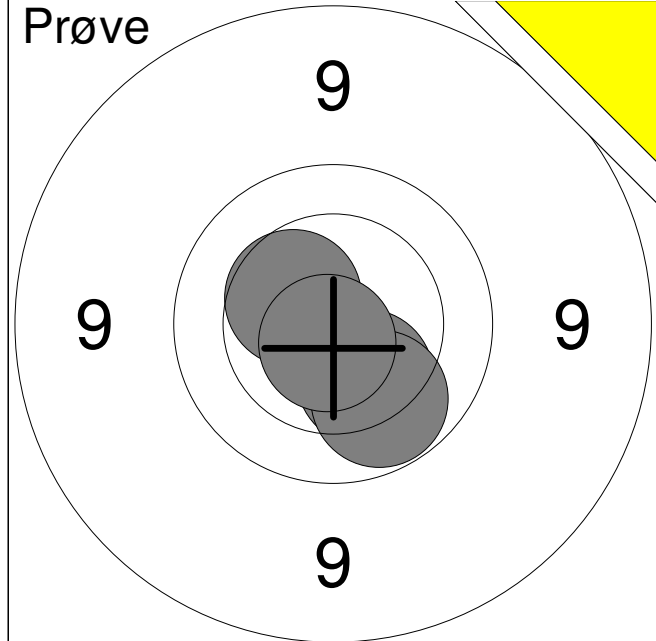
1:	10.5x	↓
2:	10.3	↑
3:	10.6x	↑
4:	10.6x	←
Serie		40
Total		0



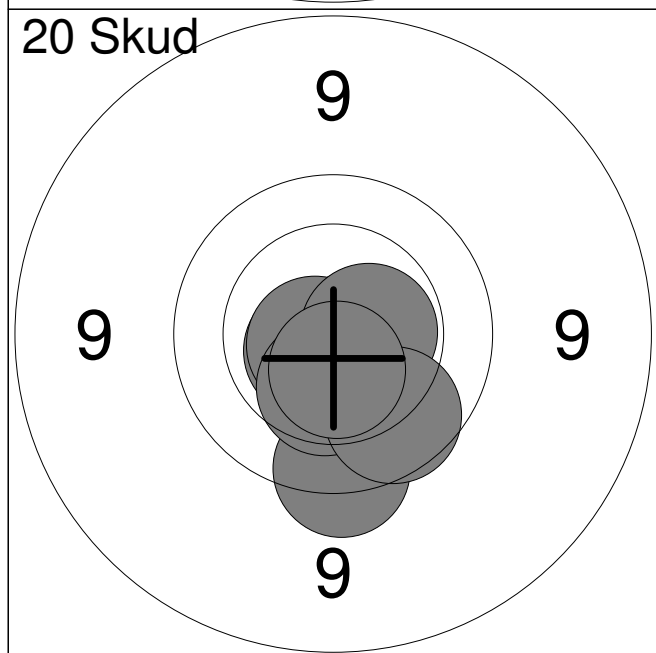
1:	10.5x	↙
2:	10.4	→
3:	10.1	↘
4:	10.2	↘
5:	10.3	↘
6:	10.3	↗
7:	10.4	↘
8:	10.4	↘
9:	10.5	←
10:	10.8x	↘
Serie		100
Total		100



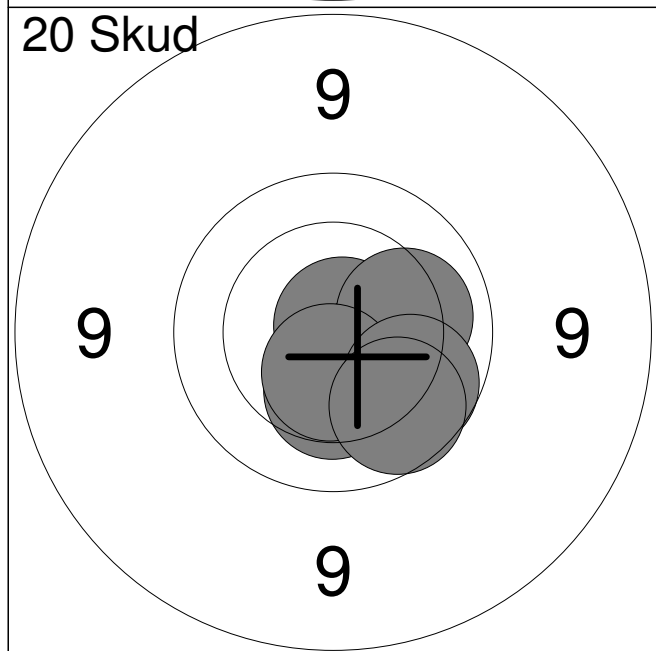
11:	10.6x	↓
12:	10.2	↘
13:	10.5	↘
14:	10.3	↘
15:	10.4	↘
16:	10.4	→
17:	9.9	↘
18:	10.7x	↘
19:	10.2	↘
20:	9.9	→
Serie		98
Total		198



1:	10.3	↘
2:	10.4	↗
3:	10.0	↘
4:	10.7x	↘
Serie		40
Total		0



1:	10.7x	↙
2:	10.7x	↘
3:	10.7x	↘
4:	9.7	↓
5:	10.7x	↓
6:	10.7x	↙
7:	10.6x	→
8:	10.4	↓
9:	9.9	↘
10:	10.6x	↓
Serie		98
Total		98



11:	10.5x	↘
12:	10.8x	↗
13:	10.2	↘
14:	10.5	↓
15:	10.4	↘
16:	10.3	↓
17:	10.1	→
18:	10.5x	↓
19:	9.9	↘
20:	9.9	↘
Serie		98
Total		196